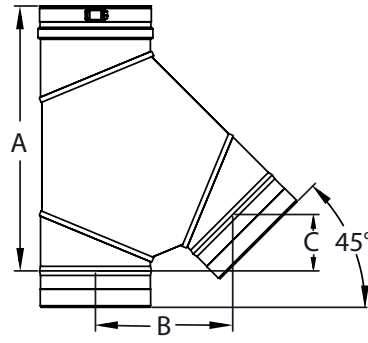
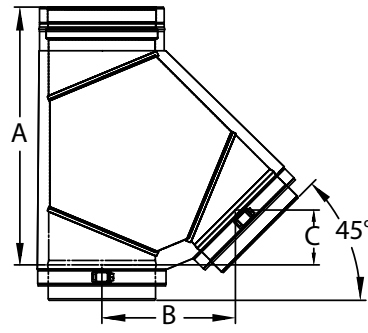


FasNSeal Single and Double Wall Wye

The FasNSeal single and double wall wye can be used in place of any M&G DuraVent tees, with the difference being that the branch is at a 45° angle instead of 90°. The wye can be used as a manifold connection to gang multiple boilers into a common vent.



Single Wall Wye



Double Wall Wye

Features

- 45° branch angle
- Used as a manifold connection to gang multiple boilers into a common vent
- Built-in manifold locking band
- Ease of installation
- Reduces Flow Restriction

Materials:

FasNSeal
AL29-4C

FasNSeal W2

AL29-4C stainless steel inner wall, stainless steel outer wall

Size	Stock #	Order #	Dimensions				
			Stock #	Order #			
	Single Wall Wye		Double Wall Wye		A	B	C
6"	303163	FSWYE06	103613	W2-WYE06	14 1/2"	7 1/2"	3 1/10"
7"	303164	FSWYE07	103164	W2-WYE07	16 1/3"	8 3/5"	3 1/2"
8"	303165	FSWYE08	103165	W2-WYE08	18"	9 7/10"	4"
9"	303166	FSWYE09	103166	W2-WYE09	19 7/10"	10 7/10"	4 2/5"
10"	303167	FSWYE10	103167	W2-WYE10	21 2/5"	11 4/5"	4 9/10"
12"	303168	FSWYE12	103168	W2-WYE12	24 9/10"	14"	5 4/5"
14"	303169	FSWYE14	103169	W2-WYE14	28 3/10"	16 1/10"	6 3/5"

