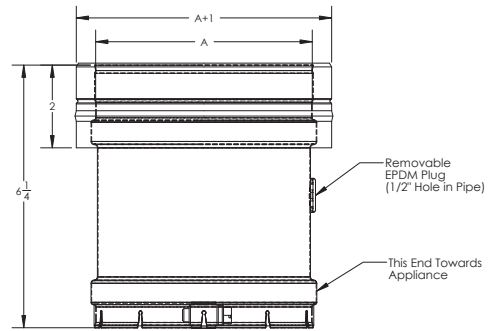
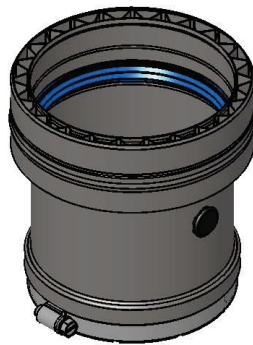


We updated the smart number of the W2 adapters with test port currently found on page 319 to match the **smart numbers (order #s)** of the single wall adapters with test ports on the previous page.

Also we had the older W2 AA's in the catalog when we should have had the W2 AAU's. The W2 AAU's have the appliance clamp side and gasket closer to the end of the part which will work on shorter appliance outlets, making it a little more "universal".

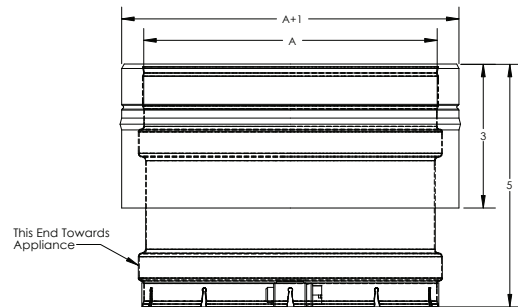
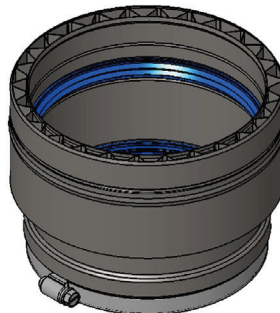
W2 Universal Appliance Adapter w/Test Port

SIZE	ORDER #	STOCK#
3"	W2-AAUTP03	810003995
4"	W2-AAUTP04	810003997
5"	W2-AAUTP05	810003999
6"	W2-AAUTP06	810004001
7"	W2-AAUTP07	810004003
8"	W2-AAUTP08	810004005
9"	W2-AAUTP09	810004007
10"	W2-AAUTP10	810004009
12"	W2-AAUTP12	810004011
14"	W2-AAUTP14	810004013
16"	W2-AAUTP16	810004015



W2 Universal Appliance Adapter

SIZE	ORDER #	STOCK#
3"	W2-AAU3	810003669
4"	W2-AAU4	810003691
5"	W2-AAU5	810003712
6"	W2-AAU6	810003733
7"	W2-AAU7	810003754
8"	W2-AAU8	810003773
9"	W2-AAU9	810003797
10"	W2-AAU10	810003816
12"	W2-AAU12	810003842
14"	W2-AAU14	810003867
16"	W2-AAU16	810003891



For current pricing and availability, please call customer service at (800) 835-4429.

Information published in all M&G DuraVent bulletins is current at time of publication and is subject to change without notice.