

**NEW Rain Caps**

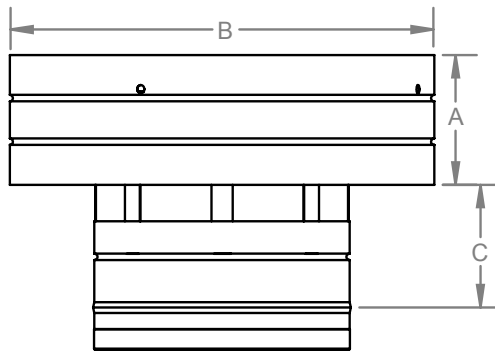
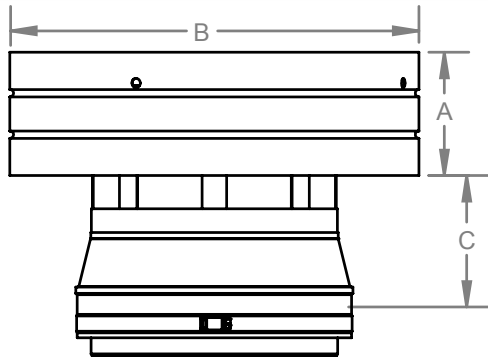
- Improved Strength
- Better High Wind Performance
- Reinforced with Rivets
- Guy Wire Attachment Points



**W2**



**FS**



SIZE	Order #	Stock#	A	B	C
10	W2-RC10	810012601	5	16.75	5.36
12	W2-RC12	810009880	6	20.00	5.69
14	W2-RC14	810009881	7	23.50	6.03
16	W2-RC16	810009882	8	26.75	6.36
18	W2-RC18	810009883	9	30.00	6.69
20	W2-RC20	810009884	10	33.50	7.03
22	W2-RC22	810009885	11	36.75	7.36
24	W2-RC24	810009886	12	40.00	7.69

SIZE	Order #	Stock#	A	B	C
10	FSRC10	810012600	5	16.75	5.36
12	FSRC12	810009873	6	20.00	5.69
14	FSRC14	810009874	7	23.50	6.03
16	FSRC16	810009875	8	26.75	6.36
18	FSRC18	810009876	9	30.00	6.69
20	FSRC20	810009877	10	33.50	7.03
22	FSRC22	810009878	11	36.75	7.36
24	FSRC24	810009879	12	40.00	7.69

For current pricing and availability, please call customer service at 800-835-4429. Information published in all M&G DuraVent bulletins is current at time of publication and is subject to change without notice.