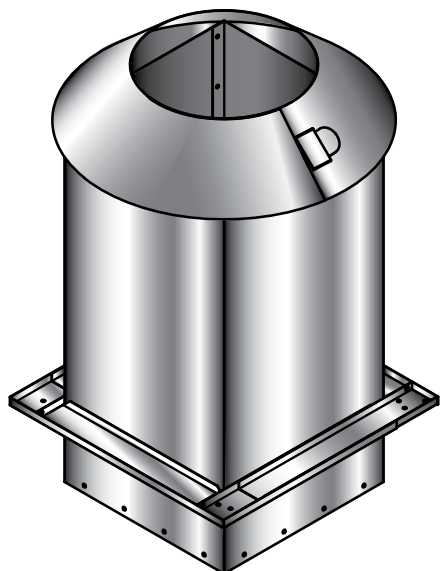




## New DuraPlus HTC Component

**DuraVent**  
Member of M&G Group

# New! Industry First Enhancements Reduced Clearance Square Support Boxes



- These supports already provided the smallest framing dimensions possible for 2" ULC S629 interior chimneys.
- The compact 12" by 12" dimensions work where all those other 2" ULC-S629 simply cannot.
- A perfect "fit" for retrofit and even better for new construction applications where engineered floor joist systems encroach on framing spacing.

We decided to raise the bar even higher for 2" ULC S 629 chimneys. Great Engineering never stops.

- A NEW integral attic insulation collar incorporated in the design means NO separate attic insulation shield required.
- Perfect for tight spaces and a great cost saver.
- VS 1" ULC-S629 chimney products that require additional expensive components for interior applications.

Available 24" and 36" lengths are ideal where large volumes of attic insulation are required. Supports up to 40' of DuraPlus HTC.

***DuraPlus HTC - what great wood chimney is all about.***

**Reduced Clearance Square  
Support Boxes  
Part # C9036B and C9036D**