

# Installation Instructions



All-Fuel Chimney System  
5" to 8" diameter

## SUPPLEMENTAL INSTRUCTION

UNIVERSAL SUPPORT COMPONENTS:  
ELBOW / ROOF SUPPORTS, WALL STRAPS,  
EXTENDED WALL SUPPORT, EXTENDED  
ROOF SUPPORT

# DURATECH

**DuraVent**  
Member of  M&G Group



LISTED  
MH7399

## GENERAL NOTES

This supplemental instruction covers universal support components on Duravent's DuraTech (5"-8") chimney system.

### Universal Supports:

- Adjustable Elbow Strap
- Adjustable Wall Strap
- Extended Roof Bracket
- Extended Wall Support
- Re-Support
- Roof Support

Please refer to the full DuraTech instructions for complete details on properly installing DuraTech. These universal components are UL listed to UL103HT under file MH7399.

## SUPPORT REQUIREMENTS

Table 1 details the chimney height supported by the various components and must be followed.

## SUPPORT BANDS

All of the universal supports share a common means of securing to DuraTech Chimney sections (**Fig.1**). 5" and 6" Dia are secured with the strap (discarding the spacer), 7" and 8" Dia are secured using both the strap and the spacer.

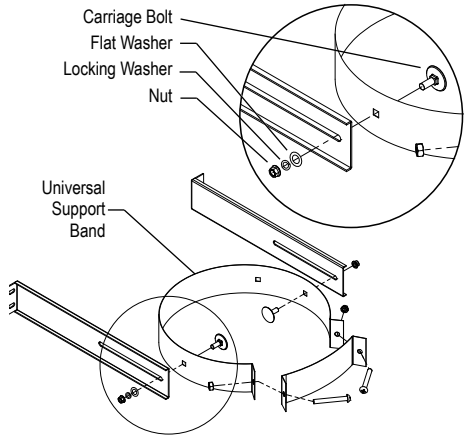


Figure 2

## CONNECTING THE LEGS

Use the carriage bolt through the band and through the leg. Use (1) flat washer, (1) locking washer, and (1) nut per side to secure to carriage bolt (**Fig. 2**). Ensure carriage bolts are directly across from each other.

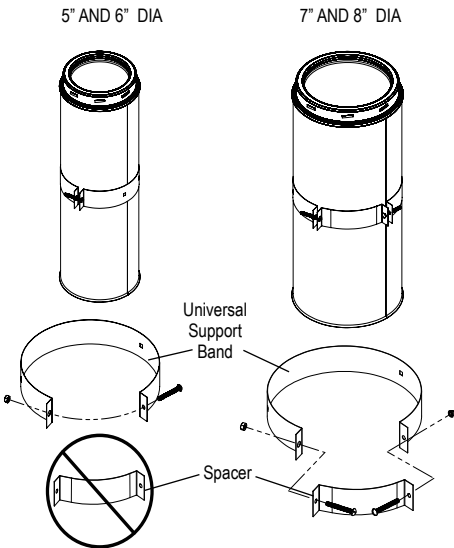


Figure 1

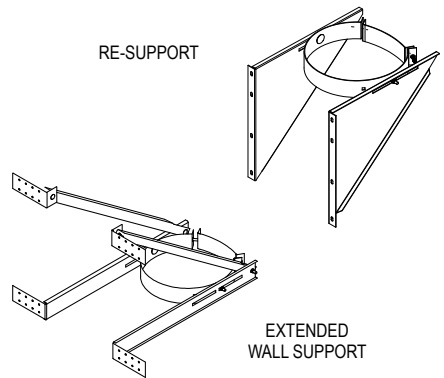
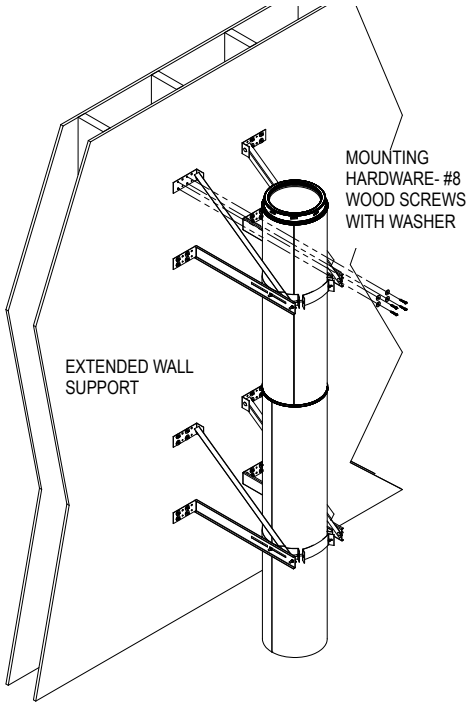


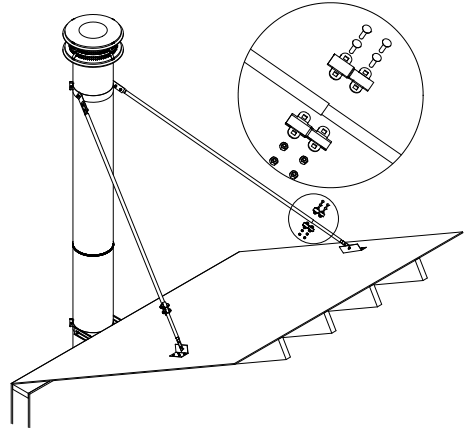
Figure 3



**Figure 4**

## WALL SUPPORTS/RE-SUPPORTS

Wall Supports and Re-Supports can be used interchangeably (**Fig. 3**) to support the chimney on vertical runs.



**Figure 5**

## EXTENDED ROOF BRACKET

**Fig 5** shows installation of the re-designed extended roof support. Once support rods are at the desired length for your installation, clamp the rods together as shown.

**Table 1**

DURATECH SUPPORT	CHIMNEY HEIGHT SUPPORTED			
	5"	6"	7"	8"
ADJUSTABLE ELBOW STRAP	EA ELBOW	EA ELBOW	EA ELBOW	EA ELBOW
ADJUSTABLE WALL STRAP	N/A	N/A	N/A	N/A
EXTENDED ROOF BRACKET	N/A	N/A	N/A	N/A
EXTENDED WALL SUPPORT	20-FT	20-FT	20-FT	20-FT
RE-SUPPORT	20-FT	20-FT	20-FT	20-FT
ROOF SUPPORT	30'TOTAL, 10' ABOVE	30'TOTAL 10' ABOVE	30'TOTAL 10' ABOVE	30'TOTAL 10' ABOVE

## M&G DURAVENT LIMITED LIFETIME WARRANTY

M&G DuraVent, Inc. ("DuraVent") provides this limited lifetime warranty for all of its products with the exception of Ventinox® (lifetime), and PolyPro® (ten years). Subject to the limitations set forth below, DuraVent warrants that its products will be free from defects in material or manufacturing, if properly installed, maintained and used. DuraVent products are fully warranted if installed only by a professional installer. This Warranty is transferable from the original homeowner to the buyer of the home. This warranty does not cover normal wear and tear, smoke damage or damage caused by chimney fires, acts of God, or any product that was: (1) purchased other than from an authorized DuraVent dealer, retailer or distributor; (2) modified or altered; (3) improperly serviced, inspected or cleaned; or (4) subject to negligence or any use not in accordance with the installation instructions included with the product as determined by DuraVent. Installation instructions are available online at [www.duravent.com](http://www.duravent.com) under Support/Literature and through our Customer Service Department 800-835-4429 or [customerservice@duravent.com](mailto:customerservice@duravent.com). This limited lifetime warranty applies only to parts manufactured by DuraVent.

DuraVent provides the following warranties for its products: One Hundred Percent (100%) MSRP 15 years from the date of purchase, and Fifty Percent (50%) thereafter, except for the following limitations on: all Termination Caps and DuraBlack® are warranted at One Hundred Percent (100%) for five years.

All warranty obligations of DuraVent shall be limited to repair or replacement of the defective product pursuant to the terms and conditions applicable to each product line. These remedies shall constitute DuraVent's sole obligation and sole remedy under this warranty. This warranty provides no cash surrender value. The terms and conditions of this warranty may not be modified, altered or waived by any action, inaction or representation, whether oral or in writing, except upon the express, written authority of an executive officer of DuraVent.

Corn, bio-fuels, driftwood or other wood containing salt, preservative-treated lumber, plastic and household trash or garbage, or wood pellets containing such materials must not be burned in the appliance or fireplace. In case of a chimney fire, the chimney must be inspected and approved by a certified Chimney Sweep before reuse. After each annual inspection, maintenance, and cleaning, the certified Chimney Sweep must fill out and date the appropriate section of the warranty card provided with the chimney liner.

**LIMITATIONS ON INTERNET SALES:** Notwithstanding any other terms or conditions of this Limited Lifetime Warranty, DuraVent provides no warranty for the following specific products if such products are not installed by a qualified professional installer: DuraTech®, DuraPlus HTC®, DuraChimney® II, PelletVent Pro®, DirectVent Pro®, FasNSeal®, FasNSeal® W2, FasNSeal® Flex, and PolyPro®, and M&G DuraVent's relining products including DuraLiner®, DuraFlex® (SW, Pro, 316, 304), and Ventinox®. For purposes of this warranty, a trained professional installer is defined as one of the following: licensed contractors with prior chimney installation experience, CSIA Certified Chimney Sweeps, NFI Certified Specialists, or WETT Certified Professionals.

DuraVent must be notified and given the opportunity to inspect defective product prior to replacement under the terms of this limited lifetime warranty. All warranty claims must be submitted with proof of purchase. Labor and installation costs are not covered under this warranty. To obtain warranty service contact: DuraVent Warranty Service, 877 Cotting Ct., Vacaville CA 95688, or call 800-835-4429.

WHERE LAWFUL, DURAVENT DISCLAIMS ALL OTHER WARRANTIES, INCLUDING BUT NOT LIMITED TO IMPLIED WARRANTIES OF MERCHANTABILITY AND FITNESS FOR A PARTICULAR PURPOSE. IN NO EVENT WILL DURAVENT BE LIABLE FOR INCIDENTAL, CONSEQUENTIAL, PUNITIVE OR SPECIAL DAMAGES OR DIRECT OR INDIRECT LOSS OF ANY KIND, INCLUDING BUT NOT LIMITED TO PROPERTY DAMAGE AND PERSONAL INJURY. DURAVENT'S ENTIRE LIABILITY IS LIMITED TO THE PURCHASE PRICE OF THIS PRODUCT. SOME STATES DO NOT ALLOW LIMITATIONS ON IMPLIED WARRANTIES, OR THE EXCLUSION OR LIMITATION OF INCIDENTAL OR CONSEQUENTIAL DAMAGES, SO THE ABOVE LIMITATIONS AND EXCLUSIONS MAY NOT APPLY TO YOU. THIS LIMITED WARRANTY GIVES YOU SPECIFIC LEGAL RIGHTS, AND YOU MAY ALSO HAVE OTHER RIGHTS THAT VARY FROM STATE TO STATE.

For the most up-to-date installation instructions, see [www.duravent.com](http://www.duravent.com)

REV 3.22.2012

Manufactured in Vacaville CA and Albany NY

# DuraVent

Member of  M&G Group

**Customer Service Support 800-835-4429 707-446-4740 FAX [www.duravent.com](http://www.duravent.com)**

DuraTech is a registered trademark of the M&G DuraVent, Inc.

All rights reserved. Made in the USA. M&G DuraVent is a member of M&G Group. ©2012

L150SUP 11/2013