

Installation Instructions



DuraTech 5" - 24"
Chimney Shroud

DURATECH SHROUD

A MAJOR CAUSE OF CHIMNEY RELATED FIRES IS FAILURE TO MAINTAIN REQUIRED CLEARANCES (AIR SPACES) TO COMBUSTIBLE MATERIALS. IT IS OF THE UTMOST IMPORTANCE THAT THIS CHIMNEY BE INSTALLED ONLY IN ACCORDANCE WITH THESE INSTRUCTIONS.

NOTE:

Read through all these instructions before beginning your installation. Failure to install the chimney as described in these instructions will void the manufacturer's warranty and may have an effect on your homeowner insurance and UL listing status. Refer to the DuraTech Chimney Installation Instructions for complete details on installing the DuraTech Chimney system. Keep these instructions for future use.

Dear Customer, Installer, or End User:

We welcome any comments regarding matters pertaining to our DuraVent products.

We welcome any ideas, input or complaints and I'll make sure that someone responds directly back to you.

Send your emails to:

president@duravent.com

If you are searching for tech support or product information, please phone us at 800-835-4429.

Or email us at:

techsupport@duravent.com

APPLICATION AND LISTING

As specified in these instructions, Shrouds are approved for use with DuraTech Chimney (5"-24" diameter). A Shroud built and installed in compliance with these instructions is UL listed for use with DuraTech chimney (listing number MH7399).

INSTALLATION NOTES

Practice good workmanship. Exercise extreme caution when working on roofs. Be sure to wear appropriate safety gear and clothing as needed. Refer to the DuraTech Chimney Installation Instructions for further safety details.



MH7399

SHROUD REQUIREMENTS

Shrouds can either be field-fabricated or factory-fabricated, but they must meet the requirements as specified in these instructions. Shrouds must be constructed of a minimum 24 gauge (.024") stainless steel, aluminized steel, galvanized steel, or copper. Other materials may also be used, such as brick, mortar, stucco, stone, etc., provided they are completely non-combustible. Check with your local building code authorities for any additional shroud requirements. Shrouds must be able to be removed to allow chimney access to properly clean the chimney. DuraTech installations which include the use of a shroud must comply with the following requirements (**Figure 1**):

- DuraTech chimney must maintain at least 2" clearance from combustible materials.
- The chase enclosure must be ventilated.
- The Chase Top Flashing or field-fabricated chase pan must be used. Fieldfabricated chase pans are acceptable if they meet these requirements:
 - Material must be 24 gauge (.024") Galvanized steel or equivalent.
 - Chase pan must have opening 3" larger than outside diameter of chimney pipe with at least a 1/2" upturned flange/collar.
 - Chase pan must overhang chase by 1/2" per side for proper air flow.
 - Chase pan must have a 1" down urned outside edge (weather protection).

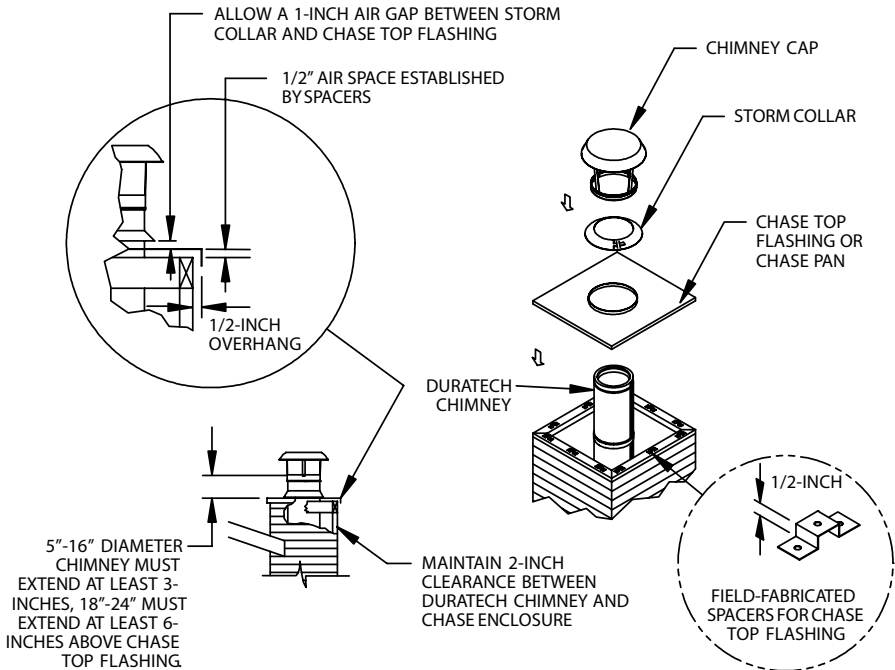


Figure 1

- Field-fabricated spacers (1/2" tall, 24 gauge or .024" Galvanized steel) must be used to support the Chase Top Flashing or chase pan, in order to provide air flow.
- 5"-16" DuraTech chimney must extend at least 3" above the chase pan/flashing.
- 18"-24" DuraTech chimney must extend at least 6" above chase pan/flashing.
- A DuraTech chimney cap must be used inside the shroud.
- The Shroud must not be in direct contact with any of the DuraTech components (other than Chase Top Flashing).
- All Open Areas of the shroud must be covered with 1/2" stainless or galvanized steel mesh screen to prevent debris from entering the Shroud.
- Shrouds must follow the dimensional requirements specified in **Tables 1, 2 or 3**, depending on the style of shroud used. The three basic shroud styles are a) House, b) Arch or Mailbox, and c) Pyramid. Most factory-fabricated shrouds will fall under one of these basic style categories.

WARRANTY

DuraVent makes no warranty or representation of any kind, either express or implied, concerning the materials, quality, workmanship or installation of the third-party manufactured shrouds that may be used in connection with the DuraTech Chimney System. DuraVent expressly disclaims any and all liability of any kind related to the materials, quality, workmanship or installation of such third party manufactured shrouds.

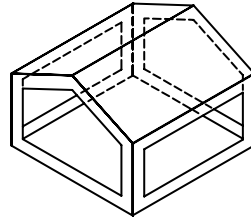
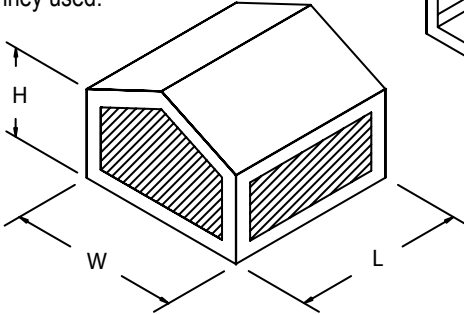
DuraVent warrants the accuracy of its specifications for the selection of third-party manufactured shrouds. Should a third-party manufactured shroud require replacement due to the inaccuracy of a DuraVent selection specification, DuraVent's sole obligation and liability will be to replace such shroud with one of similar size and quality appropriate to the installation. DuraVent's warranties are otherwise limited to the warranties set forth in the DuraTech Lifetime Limited Warranty.

HOUSE STYLE SHROUD

The House style shroud is roughly square or rectangular with a closed top and exhaust openings on four (4) sides. (Figure 2)

Table 1 lists the minimum Shroud dimensions, the minimum Open Area per side, and the minimum Total Open Area for the Shroud, depending on the diameter of DuraTech chimney used.

Shaded area represents screened Open Area. Actual shape of Shroud may vary as long as minimum dimensions and minimum Open Area requirements are met.



H: Minimum height of Shroud
L: Minimum length of Shroud
W: Minimum width of Shroud

Figure 2

House Style Shroud Minimum Dimensions

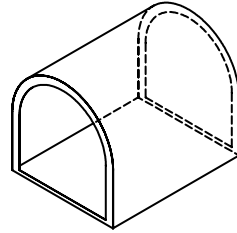
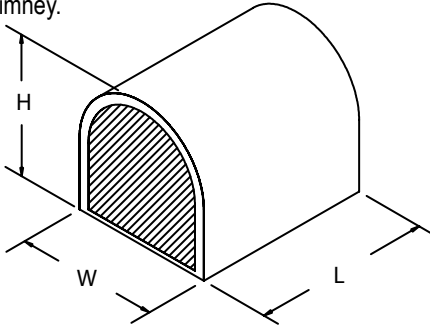
Chimney Diameter (inches)	Chimney Area (inches)	Min Height H (inches)	Min Length L (inches)	Min Width W (inches)	Min Open Area per side (sq. in)	Min Total Open Area (sq. in)
5	20	17	13	13	20	79
6	28	17	13	13	28	113
7	38	17	17	17	38	154
8	50	17	17	17	50	201
10	79	22	24	24	79	314
12	113	23	24	24	113	452
14	154	24.5	28	28	154	615
16	201	25	28	28	201	804
18	254	28	32	32	423	1692
20	314	28	32	32	524	2096
22	380	28	36	36	634	2536
24	452	28	36	36	750	3000

Table 1: House Style Shroud Minimum Dimensions

ARCH / MAILBOX STYLE SHROUD

The Arch or Mailbox style shroud generally has two solid sides and a solid top. The exhaust openings are on the two (2) open ends of the arch. (**Figure 3**) Table 2 lists the minimum Shroud dimensions, the minimum Open Area per side, and the minimum Total Open Area for the Shroud, depending on the diameter of DuraTech chimney.

Shaded area represents screened Open Area. Actual shape of Shroud may vary as long as minimum dimensions and minimum Open Area requirements are met.



H: Minimum height of Shroud
L: Minimum length of Shroud
W: Minimum width of Shroud

Figure 3

Arch / Mailbox Style Shroud Minimum Dimensions

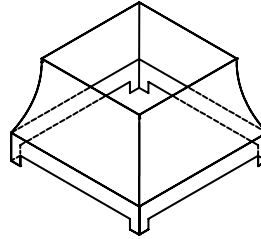
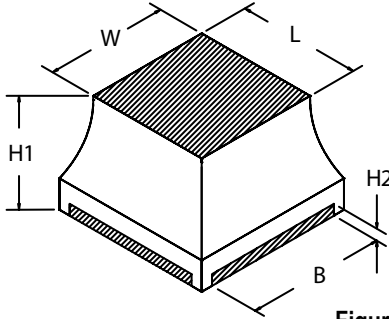
Chimney Diameter (inches)	Chimney Area (inches)	Min Height H (inches)	Min Length L (inches)	Min Width W (inches)	Min Open Area per side (sq. in)	Min Total Open Area (sq. in)
5	20	17	13	13	39	79
6	28	17	13	13	57	113
7	38	17	17	17	77	154
8	50	17	17	17	100	201
10	79	22	24	24	157	314
12	113	23	24	24	226	452
14	154	24.5	28	28	308	615
16	201	25	28	28	402	804
18	254	28	32	32	508	1016
20	314	28	32	32	628	1256
22	380	28	36	36	760	1520
24	452	28	36	36	904	1808

Table 2: Arch/Mailbox Style Shroud Minimum Dimensions

PYRAMID STYLE SHROUD

The Pyramid style shroud is roughly square or rectangular with an open top for exhaust as well as openings along the base of the four (4) sides. (Figure 4) Table 3 lists the minimum Shroud dimensions, including the minimum height and length of the base openings on the sides, depending on the diameter of DuraTech chimney.

Shaded area represents screened Open Area. Actual shape of Shroud may vary as long as minimum dimensions and minimum Open Area requirements are met.



- L: Minimum length of Shroud top opening
- W: Minimum width of Shroud top opening
- H1: Minimum total height of Shroud
- B: Minimum length of opening along base
- H2: Minimum height of opening along base

Figure 4

Pyramid Style Shroud Minimum Dimensions

Chimney Diameter (inches)	Min Height H 1 (inches)	Min Length L (inches)	Min Width W (inches)	Min Base B (inches)	Min Height H 2 (inches)
5	17	13	13	7	1.0
6	17	13	13	7	1.0
7	17	17	17	11	1.0
8	17	17	17	11	1.0
10	22	24	24	18	1.5
12	23	24	24	18	2.0
14	24.5	28	28	22	2.0
16	25	28	28	22	2.5
18	30	35	35	24	3.0
20	30	35	35	24	3.0
22	30	39	39	24	4.0
24	30	39	39	24	4.0

Table 3: Pyramid Style Shroud Minimum Dimensions

M&G DURAVENT WARRANTY

M&G DuraVent, Inc. ("DuraVent") provides this limited lifetime warranty for all of its products to the original purchaser, with the exception of Ventinox (lifetime), DuraBlack (five years) and all Termination Caps (five years). Subject to the limitations set forth below, DuraVent warrants that its products will be free from substantial defects in material or manufacturing, if properly installed, maintained and used. This Warranty is non-transferable with the exception of Ventinox which is transferable from the original homeowner to the buyer of the home for a period of ten (10) years. This warranty does not cover normal wear and tear, smoke damage or damage caused by chimney fires, acts of God, or any product that was: (1) purchased other than from an authorized DuraVent dealer, retailer or distributor; (2) modified or altered; (3) improperly serviced, inspected or cleaned; or (4) subject to negligence or any use not in accordance with the printed materials provided with the product as determined by DuraVent. This limited lifetime warranty applies only to parts manufactured by DuraVent.

DuraVent provides the following warranties for its products: One Hundred Percent (100%) of the purchase price or MSRP at time of purchase, whichever is lower, for 15 years from the date of purchase, and Fifty Percent (50%) thereafter, except for the following limitations: Ventinox liner and components in wood, oil, wood pellet, and gas installations are warranted at One Hundred Percent (100%) for the lifetime of the original homeowner; Ventinox 316 liner and components for coal burning installations which are warranted One Hundred Percent (100%) for ten years; all Termination Caps and DuraBlack® are warranted at One Hundred Percent (100%) for five years, and at Ten Percent (10%) thereafter.

All warranty obligations of DuraVent shall be limited to repair or replacement of the defective product pursuant to the terms and conditions applicable to each product line. These remedies shall constitute DuraVent's sole obligation and sole remedy under this limited warranty. This warranty provides no cash surrender value. The terms and conditions of this limited lifetime warranty may not be modified, altered or waived by any action, inaction or representation, whether oral or in writing, except upon the express, written authority of an executive officer of DuraVent.

VENTINOX WARRANTY CONDITIONS

Liner and Component warranties contained herein are subject to the following conditions: (1) The Liner and Components must be installed according to DV's installation instructions; (2) The Liner and Components are used only to line or reline chimneys venting residential appliances for which the liner was intended; and (3) documented annual inspection of the Liner and Components and maintenance as deemed necessary, beginning one year after the date of installation and continuing throughout the warranty period, by a Nationally Certified Chimney Sweep or VENTINOX® installer. The Liner and Components warranty is further subject to compliance with the following requirements throughout the warranty period: The chimney must have a chimney cap and chemical chimney cleaners must not be used when cleaning the Liner or Components. Plastic-bristle flue cleaning brushes are recommended. Com, biofuels, driftwood or other wood containing salt, preservative-treated lumber, plastic and household trash or garbage, or wood pellets containing such materials must not be burned in the appliance or fireplace. In case of a chimney fire, the chimney must be inspected and approved by a certified Chimney Sweep before reuse. After each annual inspection, maintenance, and cleaning, the certified Chimney Sweep must fill out and date the appropriate section of the warranty card provided with the chimney liner.

LIMITATIONS ON INTERNET SALES:

Notwithstanding any other terms or conditions of this limited lifetime warranty, DuraVent provides no warranty for the following specific products if such products are both: (a) purchased from an Internet seller; and (b) not installed by a qualified professional installer: DuraTech®, DuraPlus HTC®, PelletVent Pro®, FasnSeal®, and DuraVent's relining products including DuraLiner®, DuraFlex® 304, DuraFlex® 316, DuraFlex® Pro, DuraFlex® SW, and Ventinox®. For purposes of this warranty, a trained professional installer is defined as one of the following: licensed contractors with prior chimney installation experience, CSIA Certified Chimney Sweeps, NFI Certified Specialists, or WETT Certified Professionals.

DuraVent reserves the right to inspect defective product to determine if it qualifies for replacement under the terms of this limited lifetime warranty. All warranty claims must be submitted with proof of purchase. Labor and installation costs are not covered under this warranty. To obtain warranty service contact DuraVent promptly at DuraVent Warranty Service, 902 Aldridge Rd., Vacaville CA 95688, or call 800-835-4429.

WHERE LAWFUL, DuraVent DISCLAIMS ALL OTHER WARRANTIES, INCLUDING BUT NOT LIMITED TO IMPLIED WARRANTIES OF MERCHANTABILITY AND FITNESS FOR A PARTICULAR PURPOSE. IN NO EVENT WILL DuraVent BE LIABLE FOR INCIDENTAL, CONSEQUENTIAL, PUNITIVE OR SPECIAL DAMAGES OR DIRECT OR INDIRECT LOSS OF ANY KIND, INCLUDING BUT NOT LIMITED TO PROPERTY DAMAGE AND PERSONAL INJURY. DuraVent's ENTIRE LIABILITY IS LIMITED TO THE PURCHASE PRICE OF THIS PRODUCT. SOME STATES DO NOT ALLOW LIMITATIONS ON IMPLIED WARRANTIES, OR THE EXCLUSION OR LIMITATION OF INCIDENTAL OR CONSEQUENTIAL DAMAGES, SO THE ABOVE LIMITATIONS AND EXCLUSIONS MAY NOT APPLY TO YOU. THIS LIMITED WARRANTY GIVES YOU SPECIFIC LEGAL RIGHTS, AND YOU MAY ALSO HAVE OTHER RIGHTS THAT VARY FROM STATE TO STATE.

For the most up-to-date installation instructions, see www.duravent.com
REV 7.20.2010

M&G DuraVent, Inc. PO Box 1510 Vacaville CA 95696-1510
Manufactured in Vacaville CA and Albany NY

DuraVent

Member of  M&G Group

Customer Service Support 800-835-4429 707-446-4740 FAX www.duravent.com

DuraTech is a registered trademark of the M&G DuraVent, Inc.

All rights reserved. Made in the USA. M&G DuraVent is a member of M&G Group. ©2011

L157 04/2011