

DURAVENT 1777 LINERS

FACTORY-BUILT CHIMNEY RELINING FOR SOLID FUEL

Installation Instructions



Ventinox VFT®
DuraFlex® Pro
DuraFlex® SW
DuraFlex® 316
DuraFlex® 304
DuraLiner

DuraVent
Member of  M&G Group

A MAJOR CAUSE OF VENT RELATED FIRES IS FAILURE TO MAINTAIN REQUIRED CLEARANCES (AIR SPACES) TO COMBUSTIBLE MATERIALS. IT IS OF THE UTMOST IMPORTANCE TO INSTALL ONLY IN ACCORDANCE WITH THESE INSTRUCTIONS.

IMPORTANT:

Read through all of these instructions before beginning your installation. Failure to install this product as described in these instructions will void the manufacturer's warranty, may create a fire or other safety hazard, and may affect your homeowner's insurance and safety listing of your appliance.

Keep these instructions for future reference.

Dear Customer, Installer, or End User:

We welcome any comments regarding matters pertaining to our DuraVent products.

We welcome any ideas, input or complaints and I'll make sure that someone responds directly back to you.

Send your emails to:
president@duravent.com

If you are searching for tech support or product information, please phone us at 800-835-4429.

Or email us at:
techsupport@duravent.com



LISTED

MH11476, MH14420, MH45609

FACTORY-BUILT CHIMNEY RELINING

FOR SOLID FUEL

Installation Instructions

For the most up-to-date installation instructions, see www.duravent.com

CONTENTS

Introduction	4
Inspecting the Existing Chimney	4
Determine Required Liner Size	4
Installation, Preparing the Existing Chimney	4
Determine Amount of Flex Required	5
Install Liner	6
Install Appliance	6
Ventilation and Support	6
Inspection and Maintenance; Cleaning	7
Warranty	8

READ THESE INSTRUCTIONS COMPLETELY BEFORE ATTEMPTING TO INSTALL ANY DURAVENT CHIMNEY LINING SYSTEM

INTRODUCTION

This supplemental instruction is intended to be used in addition to the product-specific instruction relevant to your installation. If needed, instructions can be found at: www.duravent.com

This instruction covers the installation of listed Duravent UL1777 liner products into a pre-existing factory-built chimney system.

DuraVent Liners must be installed by an experienced professional, familiar with the operation and maintenance of heating appliances and chimneys.

INSPECTING THE EXISTING FACTORY-BUILT CHIMNEY

Before installing a **DuraVent Lining System** into a factory-built chimney, the chimney must be thoroughly cleaned and checked for structural defects. All parts of the chimney system, such as supports, radiation shields, fire stops, decorative shrouds, or spark arrestors present must be listed for use with the original chimney system and must be installed correctly and, in addition, there must be proper clearances between the chimney and surrounding combustible materials, as specified by the chimney's installation instructions. Inspect the chimney for obstructions, proper construction and compliance with applicable building codes and original instructions. Authorities having jurisdiction should be consulted before installation to determine the need to obtain

a permit. Any defects or potential safety problems must be repaired prior to relining the chimney. Only when these conditions are met should relining occur.

DETERMINING THE REQUIRED LINER SIZE

To determine the correct diameter of a liner, refer to the appliance manufacturer's installation instructions, or to local building codes: NFPA 211 (wood), model code NFPA 54 (gas), model code NFPA 31 (oil), the GAMA Venting Tables For Category I Central Furnaces (gas) or in Canada, the Installation Code for Natural Gas and Propane Burning Appliances and Equipment, CAN1-B149.1 and .2 and Installation Code for Oil burning equipment, CSA B139.

NOTE: MAXIMUM INSIDE DIAMETER OF LINER MATERIAL CAN BE NO LARGER THAN 2" SMALLER THAN THE INSIDE DIAMETER OF THE EXISTING CHIMNEY!

Appliance flue outlet must not be larger than the liner at its smallest point, unless a qualified person has sized the liner to suit the appliance.

INSTALLATION

Preparing the Existing Chimney

Carefully and cleanly remove the cap attached to existing metal chimney, using cutting tools if necessary. During this process it is important to not disrupt the structural integrity of the chimney, especially of any components responsible for centering the inner wall of the chimney or spacing between the inner and outer walls of the chimney. Remove all components including hardware leaving only the end of metal chimney pipe length. If chimney is an air-cooled chimney, it must have

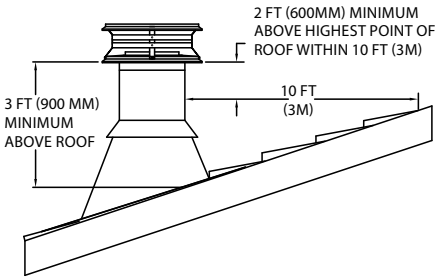


Figure 1

a ventilated flashing. Ensure final installation of chimney liner will meet overall height requirements defined in NFPA 211 (Fig. 1). If required, remove vent features including dampers and smoke shelves that may obstruct the path to the appliance outlet for the liner.

Determine Amount of Flex Required

Measure from appliance outlet to top of existing chimney to determine required length of flexible liner (Fig. 2). Cut flex 9 inches

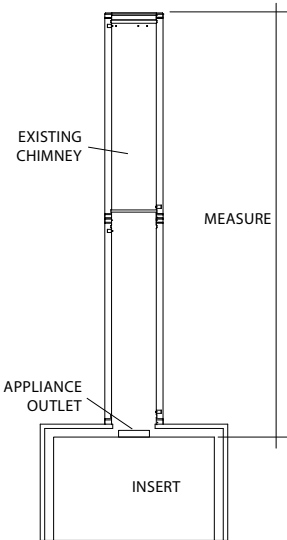


Figure 2

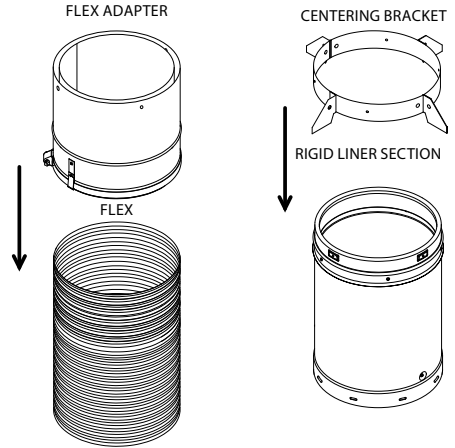


Figure 3

shorter than measured distance. Attach flex adapter to top of flex; ensure flex is fully inserted into adapter and tighten adapter hose clamp. Attach centering bracket close to female end of rigid liner section using 1/4"-20 bolts and nuts (Fig. 3).

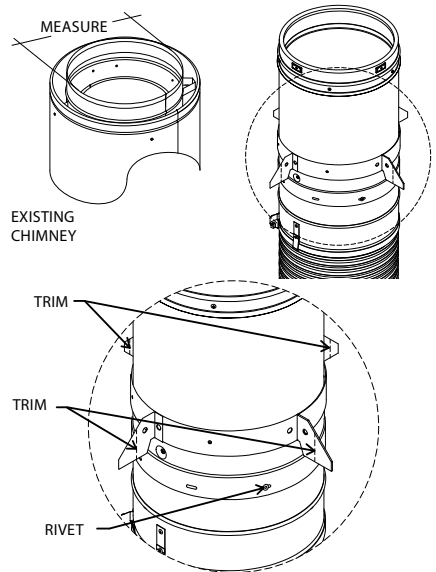


Figure 4

Measure inner diameter of existing metal chimney and trim centering bracket to fit. Insert flex adapter into rigid liner; align holes and secure using pop rivets (Fig. 4).

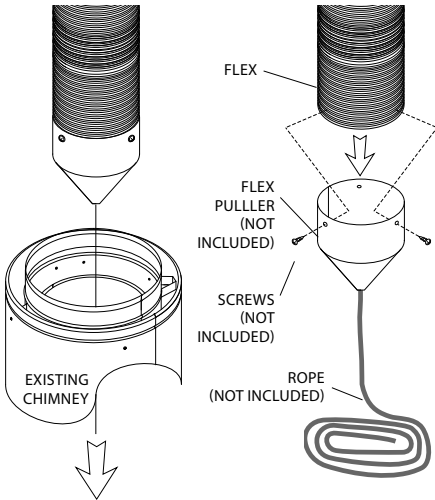


Figure 5

Install Liner

Install flexible liner into chimney using flex puller. Secure flex to appliance outlet using flex connector or other approved component (Fig. 5).

Install the Appliance

Complete the installation of the appliance according to its installation instructions.

Air-Cooled Chimneys Only

Measure the circumference of outer sleeve of existing metal chimney. Add 2 inches and cut adjustable chimney band to length. Wrap adjustable band around outer sleeve such that it extends at least 1" above height of inner sleeve (Fig. 6). Use 4 self-tapping screws to secure adjustable band to outer chimney sleeve. Use 1 additional screw to seal seam where ends of adjustable band meet.

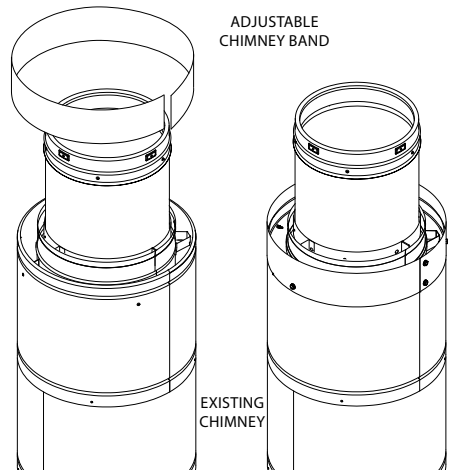


Figure 6

Ventilation and Support

Install ventilation disk onto rigid liner and lower onto top of chimney or adjustable band

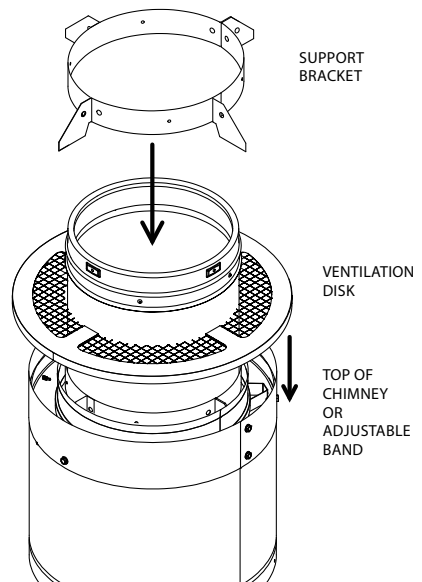


Figure 7

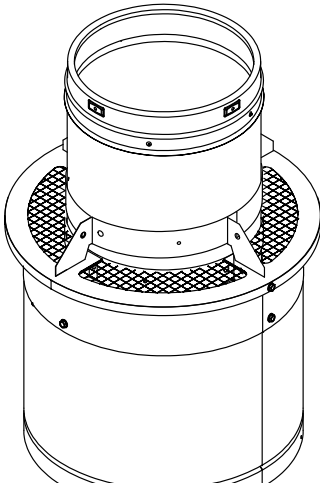


Figure 8

(if existing chimney is air cooled). Attach support bracket to rigid liner such that it rests on ventilation disk and supports weight of liner

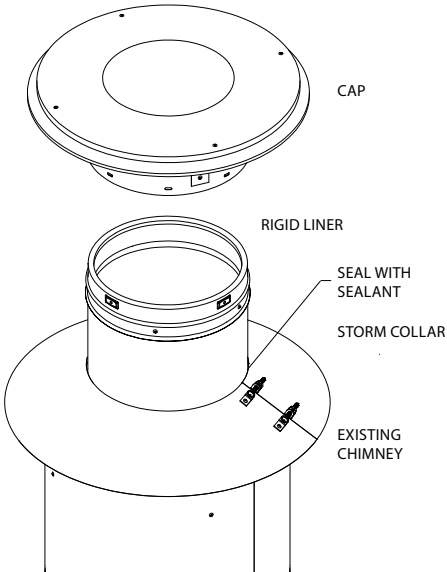


Figure 9

(Fig. 7 & 8).

Attach storm collar and seal with non-hardening silicone (500°F) sealant. Attach cap to rigid liner with screws (Fig. 9).

INSPECTION AND MAINTENANCE

Creosote formation and the need for removal: When wood is burned slowly it produces tar and other organic vapors which combine with expelled moisture to form creosote that accumulates inside a chimney flue. When ignited, creosote produces extremely hot fires. **Creosote or soot buildup can occur in all venting systems and should be removed to reduce the risk of a chimney fire. Therefore, DuraVent Lining Systems should be inspected at least once every two months during the heating season to determine if a creosote or soot buildup has occurred.**

Annual inspection is required to comply with the terms of the warranty. If creosote or debris have accumulated, they must be removed to eliminate the risk of a chimney fire or the formation of carbon monoxide. Excessive condensation and chimney fires can be prevented through proper appliance use and maintenance.

Should a fire occur within a **DuraVent Liner**, notify the fire department immediately. Fires are catastrophic events for any chimney. Before using the chimney after a fire, it must be inspected by a qualified person and cleaned or repaired as necessary.

CLEANING PROCEDURE

Remove the Vertical Cap, or if working from the bottom, remove the appliance connector. Select appropriately sized polypropylene chimney brushes and flexible fiberglass extension rods. Run the brush up and down inside the liner until any deposits or debris are removed. Reinstall the Vertical Cap, connector pipe or Tee Cap.

M&G DURAVENT LIMITED LIFETIME WARRANTY

M&G DuraVent, Inc. ("DuraVent") provides this limited lifetime warranty for all of its products with the exception of Ventinox® (lifetime), and PolyPro® (ten years). Subject to the limitations set forth below, DuraVent warrants that its products will be free from defects in material or manufacturing, if properly installed, maintained and used. DuraVent products are fully warranted if installed only by a professional installer. This Warranty is transferable from the original homeowner to the buyer of the home. This warranty does not cover normal wear and tear, smoke damage or damage caused by chimney fires, acts of God, or any product that was: (1) purchased other than from an authorized DuraVent dealer, retailer or distributor; (2) modified or altered; (3) improperly serviced, inspected or cleaned; or (4) subject to negligence or any use not in accordance with the installation instructions included with the product as determined by DuraVent. Installation instructions are available online at www.duravent.com under Support/Literature and through our Customer Service Department 800-835-4429 or customerservice@duravent.com. This limited lifetime warranty applies only to parts manufactured by DuraVent.

DuraVent provides the following warranties for its products: One Hundred Percent (100%) MSRP 15 years from the date of purchase, and Fifty Percent (50%) thereafter, except for the following limitations on: all Termination Caps and DuraBlack® are warranted at One Hundred Percent (100%) for five years.

All warranty obligations of DuraVent shall be limited to repair or replacement of the defective product pursuant to the terms and conditions applicable to each product line. These remedies shall constitute DuraVent's sole obligation and sole remedy under this warranty. This warranty provides no cash surrender value. The terms and conditions of this warranty may not be modified, altered or waived by any action, inaction or representation, whether oral or in writing, except upon the express, written authority of an executive officer of DuraVent.

Corn, bio-fuels, driftwood or other wood containing salt, preservative-treated lumber, plastic and household trash or garbage, or wood pellets containing such materials must not be burned in the appliance or fireplace. In case of a chimney fire, the chimney must be inspected and approved by a certified Chimney Sweep before reuse. After each annual inspection, maintenance, and cleaning, the certified Chimney Sweep must fill out and date the appropriate section of the warranty card provided with the chimney liner.

LIMITATIONS ON INTERNET SALES: Notwithstanding any other terms or conditions of this Limited Lifetime Warranty, DuraVent provides no warranty for the following specific products if such products are not installed by a qualified professional installer: DuraTech®, DuraPlus HTC®, DuraChimney® II, PelletVent Pro®, DirectVent Pro®, FasNSeal®, FasNSeal® W2, FasNSeal® Flex, and PolyPro®, and M&G DuraVent's relining products including DuraLiner®, DuraFlex® (SW, Pro, 316, 304), and Ventinox®. For purposes of this warranty, a trained professional installer is defined as one of the following: licensed contractors with prior chimney installation experience, CSIA Certified Chimney Sweeps, NFI Certified Specialists, or WETT Certified Professionals.

DuraVent must be notified and given the opportunity to inspect defective product prior to replacement under the terms of this limited lifetime warranty. All warranty claims must be submitted with proof of purchase. Labor and installation costs are not covered under this warranty. To obtain warranty service contact: DuraVent Warranty Service, 877 Cotting Ct., Vacaville CA 95688, or call 800-835-4429.

WHERE LAWFUL, DURAVENT DISCLAIMS ALL OTHER WARRANTIES, INCLUDING BUT NOT LIMITED TO IMPLIED WARRANTIES OF MERCHANTABILITY AND FITNESS FOR A PARTICULAR PURPOSE. IN NO EVENT WILL DURAVENT BE LIABLE FOR INCIDENTAL, CONSEQUENTIAL, PUNITIVE OR SPECIAL DAMAGES OR DIRECT OR INDIRECT LOSS OF ANY KIND, INCLUDING BUT NOT LIMITED TO PROPERTY DAMAGE AND PERSONAL INJURY. DURAVENT'S ENTIRE LIABILITY IS LIMITED TO THE PURCHASE PRICE OF THIS PRODUCT. SOME STATES DO NOT ALLOW LIMITATIONS ON IMPLIED WARRANTIES, OR THE EXCLUSION OR LIMITATION OF INCIDENTAL OR CONSEQUENTIAL DAMAGES, SO THE ABOVE LIMITATIONS AND EXCLUSIONS MAY NOT APPLY TO YOU. THIS LIMITED WARRANTY GIVES YOU SPECIFIC LEGAL RIGHTS, AND YOU MAY ALSO HAVE OTHER RIGHTS THAT VARY FROM STATE TO STATE.

For the most up-to-date installation instructions, see www.duravent.com

REV 3.22.2012 Manufactured in Vacaville CA and Albany NY

DuraVent

Member of  M&G Group

Customer Service Support 800-835-4429 707-446-4740 FAX www.duravent.com

DuraFlex and Ventinox are registered trademarks of the M&G DuraVent, Inc.
All rights reserved. Made in the USA. M&G DuraVent is a member of M&G Group. ©2012

L253SUPC 05/2013