



INSTALLATION AND MAINTENANCE INSTRUCTIONS

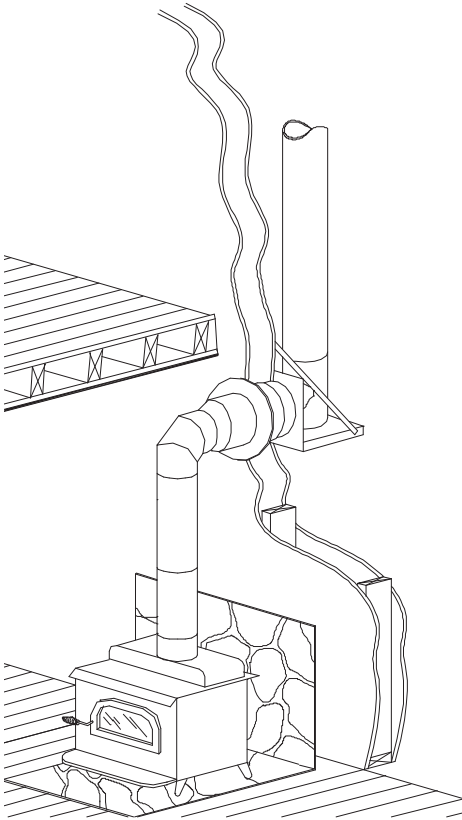
6", 7" AND 8" DIAMETER
DOUBLE WALL CONNECTOR
6" CLEARANCE

SAVE THESE INSTRUCTIONS
FOR FUTURE REFERENCE

MODEL DDW

This installation manual will enable you to obtain a safe, efficient and dependable installation of this double wall connector pipe to a manufactured chimney. Please read and understand these instructions before beginning your installation.

Do not alter or modify the components of this double wall connector system under any circumstances. Any modification or alteration of the double wall connector system or approved accessories, including but not limited to the appliance it is connected to, may void the warranty of this system and could result in an unsafe and potentially dangerous installation.



WARNINGS

FAILURE TO FOLLOW THESE INSTALLATION INSTRUCTIONS COULD CAUSE FIRE, CARBON MONOXIDE POISONING, OR DEATH. IF YOU ARE UNSURE OF INSTALLATION REQUIREMENTS, CALL THE PHONE NUMBER LISTED ON THE BACK OF THESE INSTRUCTIONS.

A MAJOR CAUSE OF STOVE PIPE OR CHIMNEY RELATED FIRE IS FAILURE TO MAINTAIN REQUIRED CLEARANCES (AIR SPACES) TO COMBUSTIBLE MATERIALS. IT IS OF UTMOST IMPORTANCE THAT THIS CONNECTOR BE INSTALLED ONLY IN ACCORDANCE WITH THESE INSTRUCTIONS.



Intertek

Listed to Standards:
CAN/ULC S641

NATIONAL
FIREPLACE
INSTITUTE



www.nficertified.org

We recommend that our woodburning hearth products be installed and serviced by professionals who are certified in the U.S. by the National Fireplace Institute® (NFI) as NFI Woodburning Specialists or who are certified in Canada by Wood Energy Technical Training (WETT).



DDWE REV.00 03/19/2021

NOTE: DIAGRAMS & ILLUSTRATIONS ARE NOT TO SCALE.

CONGRATULATIONS!

You have made a wise choice in your selection of a DURAVENT model DDW, stove connector. You have purchased a fine quality system, researched and developed to precise standards of quality in manufacturing.

It's so easy to install ... you can do it step-by-step. Each component is designed to fit together perfectly and easily. If you are handy with a few basic tools and have a general knowledge of carpentry, you can install your DURAVENT Model DDW stove connector system over a weekend or have a professional install it for you in a few hours.

Before you install your DURAVENT Model DDW System, read these instructions carefully and follow them exactly.



WARNING

The DURAVENT Model DDW stove connector must not be used as a chimney.

Read these instructions and keep them for future reference.

Install the connector as described in these instructions. Failure to do so will void the certification and the warranty of this connector.

WOOD AND COAL STOVES

If you are planning to install a wood stove, we recommend that you:

1. Choose a stove that has a label of a recognized Testing Laboratory (such as ULC, WH, ITS, UL or OMNI).
2. Choose the right size stove. Do not buy one larger than you need.
3. Connect only one appliance to a chimney.
4. Never overfire your stove. If any part of the stove or stove pipe is glowing red, then you are overfiring. Immediately

close the stove's dampers until the system cools. The high temperatures caused by overfiring can permanently damage the stove and may overheat nearby combustible walls and furniture.

5. Install the stove and stove pipe as described in the Installation Instructions accompanying the stove. Be certain to maintain the required clearances to combustible construction.
6. Keep your flue gases between 300° F and 500° F. This will maximize efficiency while minimizing condensation and creosote formation.

Do not fill your stove with wood and allow it to smolder for 8 to 10 hours. This condition produces large amounts of creosote in the chimney.

7. Do not burn sea driftwood or treated wood. Salt (NaCl) and chemical components are highly corrosive to all types of stainless steel.

LIST OF COMPONENTS AVAILABLE

DURAVENT Model DDW Stove connector	
DDW-3A	Adjustable length (3" to 9")
DDW-36A	Adjustable length (3" to 34")
DDW-42A	Telescopic length (3'6" to 5'6")
DDW-L	Length 6", 12", 24" and 36"
DDW-E45	45° elbow
DDW-E90	90° elbow
DDW-T	Insulated Tee
DDW-MA	Masonry chimney adaptor
DDW-AB	Stove adaptor
DDW-LW	Increaser
DDW-LR	Reducer
DDW-Q	Trim collar
DDW-QDX	Decorative collar
DDW-LK	Damper

Table 1

CREOSOTE - Smoke from a wood fire always contains some unburned gases and a fog of unburned tarlike liquids. When these materials condense they form a dark brown or black deposit called creosote. Creosote formation in a chimney cannot be eliminated, but it can be minimized by:

1. Keeping the temperature of the gases in the chimney above 300°F.
2. Making small hot fires rather than slow burning, smoldering fires.

COAL - Some coals contain large quantities of Sulphur (up to 7%). When coal is burned, Sulphur and coal ashes are deposited in the chimney flue. This deposit combines with moisture to form a highly corrosive acid (Sulphuric Acid). In order to protect your chimney connector, we recommend that you:

1. Burn only low Sulphur coals (less than 1% Sulphur).
2. Have your chimney cleaned within 48 hours of shutting down your stove at the end of the heating season. Be certain that all the soot is removed. Wipe the chimney flue using a strong solution of baking soda and water. This can be done by wrapping a rag around a chimney cleaning brush, dipping it in the baking soda-water solution, then passing it through the chimney three or four times.

CHIMNEY OPERATION AND MAINTENANCE

Keep your chimney and connector clean.

Wood stoves can quickly create large deposits of creosote in the chimney. Some wood stoves can create enough creosote in two weeks to cause a chimney fire.

When using a wood stove, we recommend that you :

1. Initially inspect the chimney system weekly. From this you will learn how often it will be necessary to clean your chimney.

2. The chimney should be inspected at least once every 2 months during the heating season to determine if a creosote or soot build-up has occurred: if creosote or soot has accumulated, it should be removed to reduce the risk of chimney fire.
3. Have your chimney cleaned by a qualified chimney sweep. If you want to clean your chimney yourself, then clean your liner using plastic, wood or stainless steel brushes. Do not use a brush that will scratch the stainless steel interior of the chimney.
4. Do not expect chemical chimney cleaners to keep your chimney clean. Their use does not negate the necessity of periodically inspecting and cleaning your chimney.

CHIMNEY FIRES

If you are having a chimney fire, follow these steps :

1. Close all heater doors and combustion air controls.
2. Alert your family to the possible danger.
3. If you require assistance, alert your Fire Department.
4. If possible, use a dry chemical extinguisher, baking soda or sand to control the fire. Do not use water, as it may cause a dangerous steam explosion.
5. Watch for smoldering or fire on combustibles next to the stove, stove pipe and chimney. Check outside to ensure that sparks and hot embers coming out of the chimney are not igniting the roof.
6. Do not use the stove again until your chimney, connector and stove have been inspected by a qualified chimney sweep or Fire Department Inspector.

INSTALLATION NOTES

1. This double wall stove pipe is used to connect a solid, liquid or gas fired appliance to a factory built or masonry chimney.

Allowable Flue Gas temperature:

Maximum continuous –
1000°F (540°C) U.S.

1200°F (650°C) Can.

Brief forced firing – 1400°F (760°C)

Tested to 2100°F (1150°C) – 30 minutes

2. Install the chimney and stove in accordance with their Installation Instructions.
3. The clearance between the stove pipe and combustible material must not be less than 6 inches (15 cm).
4. Do not enclose this stove pipe.
5. This stove pipe must not pass through attics, closets, walls or ceilings.
6. Mobile Home Installation: Follow the Mobile Home stove Installation Instructions. Certain mobile home stoves may require a greater clearance than 6 inches.
7. A chimney venting a fireplace, a wood burning stove, or an incinerator shall not vent any other appliance.

Probe Thermometers

If you wish to install a probe thermometer on your DDW stovepipe, you are approved to do so providing the thermometer is specifically designed for use on solid-fuel flue pipes. Be sure to follow the installation instructions provided by the manufacturer of the thermometer.

Before Firing the Stove

After the installation had been inspected, remove the labels from the stovepipe. If you leave them on, they will melt. For future reference, you can re-apply these labels to a blank page within the installation instructions. Remove any remaining glue residue, then clean the entire stovepipe from top to bottom to remove any fingerprints, oils, or dust that may be upon the pipe's surface. Burning the stove without cleaning the pipe first could cause these deposits to bake into the paint finish.

Any scratches to the stovepipe can be touched-up as required. We recommend Stove Bright Metallic Black 6309 spray paint for this purpose. This shade is a good match once the paint cures. Follow the paint manufacturer's instructions for best results.

Note: The stovepipe will emit a moderate point-like odor and smoke during the first few uses. This is part of the normal curing process. Any odors will fade after a few uses of the appliance.

INSTALL THE CHIMNEY AND STOVE IN ACCORDANCE WITH THEIR INSTALLATION INSTRUCTIONS. THE CLEARANCE BETWEEN THE STOVE CONNECTOR AND ANY COMBUSTIBLE MATERIAL MUST NOT BE LESS THAN 6 IN. (15CM).

FOR INSTALLATIONS THAT REQUIRE MORE THAN ONE LENGTH, WE RECOMMEND THAT THE MAXIMUM VERTICAL LENGTH OF DOUBLE WALL BLACK CONNECTOR THAT CAN BE INSTALLED SHOULD BE 20'.

MASONRY CHIMNEY

Have your chimney inspected by a qualified chimney sweep or Fire Department Inspector before using it. Masonry chimneys should only be used if they are in good condition and have been built to the National Building Code.

When required, the chimney can be relined using Tubinox stainless steel liner or other approved relining products. If the existing chimney and liner is suitable, there should be a horizontal opening into the chimney through a non combustible wall. Fit the Masonry Adaptor (DDW-MA) into this hole (see figure 1). Attach the adaptor collar to the masonry wall using screws and masonry anchors. Seal the joint between the collar and the masonry with a high temperature silicone caulking.

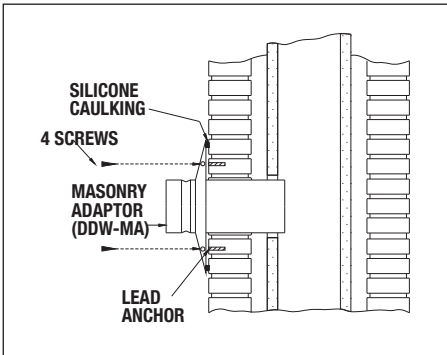


Figure 1

STRAIGHT INSTALLATION

FOR MOST STRAIGHT INSTALLATIONS only a telescopic length will be required. The telescopic length adjusts from 3'6" to 5'6" .

1. Set the adjustable length so that the bottom sits over the flue collar of the stove, in most cases the outer casing will rest on the stove top. Screw through the outer casing into the flue collar using 3 metal screws provided.
2. Remove the screw locking the top and bottom of the telescopic length together. Extend the telescopic length up to the chimney and fit it snugly over the chimney flue extension keeping it within the trim collar. Fix the length in place using 2 metal screws - one on either side of the trim collar. (see figure 2).
3. Secure the top and bottom parts of the telescopic length together using one metal screw.

STOVE ADAPTOR (DDW-AB) (OPTIONAL)

Some stove outlet collars are too thick for the telescopic length to fit over. In these cases, a stove adaptor (DDW-AB) or adjustable length may be more suitable. If necessary, the inner flue casing can be crimped as required to fit within the outlet collar.

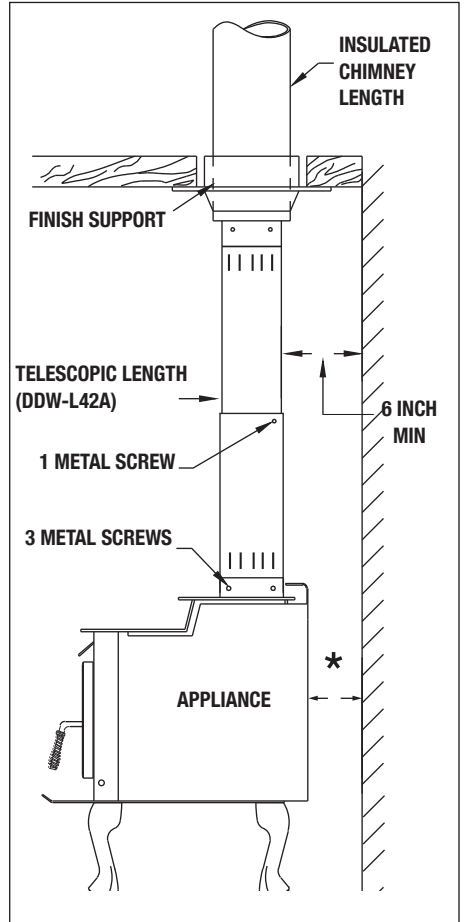
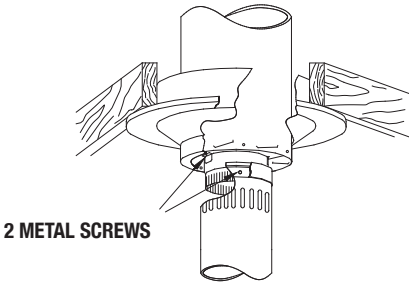


Figure 2

* See appliance manufacturer's installation instructions for this clearance.

THROUGH THE WALL INSTALLATION

1. Attach the chimney flue extension to the bottom of the chimney using 3 metal screws.
2. Stack the telescopic length (DDW-L42A) on the appliance flue collar and attach it to the appliance using 3 metal screws.
3. Stack the 90° elbow (DDW-E90) on top of the telescopic length and push it down to lock it in place.
4. Remove the screw locking the top and bottom of the telescopic length together in order to reach the necessary length.
5. Use an adjustable (DDW-L3A) or fixed length (DDW-L) of stove pipe horizontally between the 90° elbow (DDW-E90) and chimney. Attach this length to the elbow. Fix a decorative collar to the chimney and secure the connector pipe to the chimney flue extension using 3 metal screws (see figure 4).
6. Secure the top and bottom parts of the telescopic length together using one metal screw.
7. If you wish, you may cover the joint between the chimney and the chimney connector, using a trim collar. (DDW-Q)

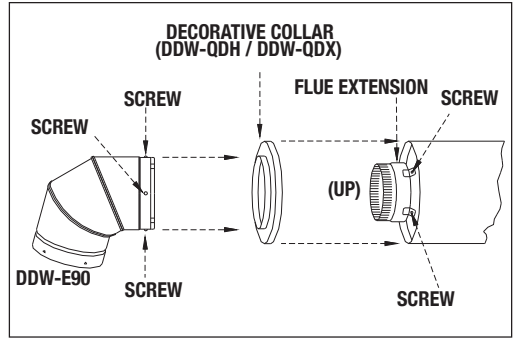


Figure 4

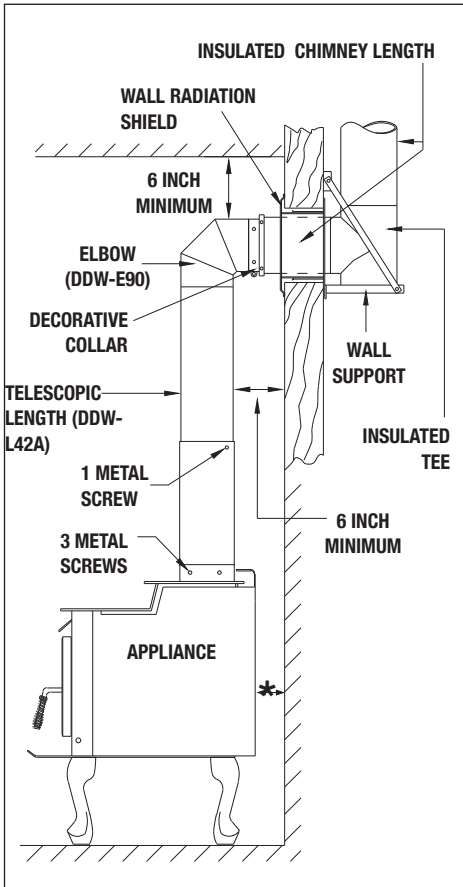


Figure 3

* See appliance manufacturer's installation instructions for this clearance.

Elbow 45 DDW		Length between elbows (inches)				
Diameter		none	6in	12in	24in	36in
6	Offset	2-1/4	5-1/4	9-1/2	18	26-1/2
	Rise	11-1/4	14-1/4	18-1/2	27	35-1/2
7	Offset	3	6	10-1/4	18-3/4	27-1/4
	Rise	12	15	19-1/4	27-3/4	36-1/4
8	Offset	3-1/4	6-1/4	10-1/2	19	27-1/2
	Rise	13-1/2	16-1/2	20-3/4	29-1/4	37-3/4

Table 2

NOTES:

DuraVent Limited Lifetime Warranty

DuraVent, Inc. ("DuraVent") provides this limited lifetime warranty for all of its products with the exception of Ventinox® (lifetime), and PolyPro® (ten years). Subject to the limitations set forth below, DuraVent warrants that its products will be free from defects in material or manufacturing, if properly installed, maintained and used. DuraVent products are fully warranted if installed only by a professional installer. This Warranty is transferable from the original homeowner to the buyer of the home. This warranty does not cover normal wear and tear, smoke damage or damage caused by chimney fires, acts of God, or any product that was: (1) purchased other than from an authorized DuraVent dealer, retailer or distributor; (2) modified or altered; (3) improperly serviced, inspected or cleaned; or (4) subject to negligence or any use not in accordance with the installation instructions included with the product as determined by DuraVent. Installation instructions are available online at www.duravent.com under Support/Literature and through our Customer Service Department 800-835-4429 or customerservice@duravent.com. This limited lifetime warranty applies only to parts manufactured by DuraVent.

DuraVent provides the following warranties for its products: One Hundred Percent (100%) MSRP 15 years from the date of purchase, and Fifty Percent (50%) thereafter, except for the following limitations on: all Termination Caps and DuraBlack® are warranted at One Hundred Percent (100%) for five years.

All warranty obligations of DuraVent shall be limited to repair or replacement of the defective product pursuant to the terms and conditions applicable to each product line. These remedies shall constitute DuraVent's sole obligation and sole remedy under this warranty. This warranty provides no cash surrender value. The terms and conditions of this warranty may not be modified, altered or waived by any action, inaction or representation, whether oral or in writing, except upon the express, written authority of an executive officer of DuraVent.

Corn, bio-fuels, driftwood or other wood containing salt, preservative-treated lumber, plastic and household trash or garbage, or wood pellets containing such materials must not be burned in the appliance or fireplace. In case of a chimney fire, the chimney must be inspected and approved by a certified Chimney Sweep before reuse. After each annual inspection, maintenance, and cleaning, the certified Chimney Sweep must fill out and date the appropriate section of the warranty card provided with the chimney liner.

LIMITATIONS ON INTERNET SALES: Notwithstanding any other terms or conditions of this Limited Lifetime Warranty, DuraVent provides no warranty for the following specific products if such products are not installed by a qualified professional installer: DuraTech®, DuraTech® DTC, DuraPlus HTC®, DuraTech® Premium, DuraChimney® II, DuraPlus Canada 2, PelletVent Pro®, DirectVent Pro®,

FasNSeal®, FasNSeal® W2, FasNSeal® Flex, and PolyPro®, and DuraVent's relining products including DuraLiner®, DuraFlex® (SW, Pro, 316, 304), and Ventinox®. For purposes of this warranty, a trained professional installer is defined as one of the following: licensed contractors with prior chimney installation experience, CSIA Certified Chimney Sweeps, NFI Certified Specialists, or WETT Certified Professionals.

DuraVent must be notified and given the opportunity to inspect defective product prior to replacement under the terms of this limited lifetime warranty. All warranty claims must be submitted with proof of purchase. Labor and installation costs are not covered under this warranty. To obtain warranty service contact: DuraVent Warranty Service, 877 Cotting Ct., Vacaville CA 95688, or call 800-835-4429.

WHERE LAWFUL, DURAVENT DISCLAIMS ALL OTHER WARRANTIES, INCLUDING BUT NOT LIMITED TO IMPLIED WARRANTIES OF MERCHANTABILITY AND FITNESS FOR A PARTICULAR PURPOSE. IN NO EVENT WILL DURAVENT BE LIABLE FOR INCIDENTAL, CONSEQUENTIAL, PUNITIVE OR SPECIAL DAMAGES OR DIRECT OR INDIRECT LOSS OF ANY KIND, INCLUDING BUT NOT LIMITED TO PROPERTY DAMAGE AND PERSONAL INJURY. DURAVENT'S ENTIRE LIABILITY IS LIMITED TO THE PURCHASE PRICE OF THIS PRODUCT. SOME STATES DO NOT ALLOW LIMITATIONS ON IMPLIED WARRANTIES, OR THE EXCLUSION OR LIMITATION OF INCIDENTAL OR CONSEQUENTIAL DAMAGES, SO THE ABOVE LIMITATIONS AND EXCLUSIONS MAY NOT APPLY TO YOU. THIS LIMITED WARRANTY GIVES YOU SPECIFIC LEGAL RIGHTS, AND YOU MAY ALSO HAVE OTHER RIGHTS THAT VARY FROM STATE TO STATE.

For the most up-to-date installation instructions, see www.duravent.com

REV 05.03.18

Manufactured in Vacaville CA and Albany NY

DuraVent®

WARRANTY

These products have a limited warranty. Please read the warranty to be familiar with its coverage.

Retain this manual. File it with your other documents for future reference.

PRODUCT REFERENCE INFORMATION

Please contact DuraVent for the phone number of your nearest DuraVent dealer who will answer your questions or address your concerns.

Normally, all parts should be ordered through your DuraVent distributor or dealer. Parts will be shipped at prevailing prices at time of order.

When ordering repair parts, always give the following information:

1. The model number of the chimney system.
2. The part number.
3. The description of the part.
4. The quantity required.
5. The installation date of the chimney system.

If you encounter any problems or have any questions concerning the installation or application of this system, please contact our dealer.

DuraVent®

2125 MONTEREY ST. • LAVAL, QC., CANADA • H7L 3T6
800-835-4429; www.duravent.com

DuraVent reserves the right to make changes at any time, without notice, in design, materials, specifications, prices. Consult your local distributor for chimney system code information.

Printed in Canada © 2021 DuraVent

DDWE REV.00 03/19/2021

NOTE: DIAGRAMS & ILLUSTRATIONS ARE NOT TO SCALE.