

Installation Instructions



8" Air-Cooled, All-Fuel Chimney
for Fireplaces

DURACHIMNEY® II 8"

DuraVent®

A MAJOR CAUSE OF VENT RELATED FIRES IS FAILURE TO MAINTAIN REQUIRED CLEARANCES (AIR SPACES) TO COMBUSTIBLE MATERIALS. IT IS OF THE UTMOST IMPORTANCE THAT DURACHIMNEY II BE INSTALLED ONLY IN ACCORDANCE WITH THESE INSTRUCTIONS.

NOTE:

Read through all of these instructions before beginning your installation. Failure to install as described in this instruction will void the manufacturer's warranty, and may have an effect on your homeowner's insurance and UL listing status. Keep these instructions for future reference.

Dear Customer, Installer, or End User:

We welcome any comments, ideas, input or complaints regarding matters pertaining to DuraVent products. Send your emails to: customerservice@duravent.com

If you are searching for tech support or product information, please call us at 1-800-835-4429.

Or email us at:

techsupport@duravent.com



AIR-COOLED, ALL-FUEL CHIMNEY FOR FIREPLACES

For the most up-to-date installation instructions, see www.duravent.com

CONTENTS

Clearances Permits Applications Installation Notes	4
Equipment Chimney Diameter Chimney Height Requirements	5
Recommendations Frame Opening Chart Fireplace Installation	6
Elbow Offset Installation	12
Elbow Offset Chart	13
Chimney Maintenance	14
Warranty	16

DURACHIMNEY® II 8"

DuraChimney is designed to stay cool on the outside, to provide a hot draft on the inside, and to provide for a fire-safe design that protects both the chimney and the building. The double-wall air-cooled design allows the chimney to expand under high temperatures.

Materials and Construction

.016" 430 stainless steel inner wall and .021" galvanized steel outer wall. 2-inch clearance to combustibles.

Listings

UL Listed to UL 103 and ULC S604 standards.

CLEARANCES

Always allow at least a 2-inch air-space clearance between DuraChimney II Pipe and any combustible materials. Never fill any required clearance space with insulation or any other materials. Combustible materials include, but is not limited to, lumber, plywood, sheetrock, plaster and lath, furniture, curtains, electrical wiring, and building insulation.

PERMITS

Contact your local Building Official or Fire Official regarding permits, restrictions, and installation inspections in your area.

CHIMNEY APPLICATIONS

DuraChimney II is a complete chimney system tested and listed to test procedures UL 103 and ULC S604. In the United States, DuraChimney II can be used with fireplaces or appliances fueled by oil, gas, coal, or wood that have been tested and listed for use with a UL 103 chimney system. In Canada, DuraChimney II can be used with listed oil & gas fired appliances listed for use with a Type A Chimney under ULC S604.

DuraChimney II may also be listed with some factory-built fireplaces. Check with the fireplace manufacturer if DuraChimney II can be used on their fireplaces, and if there are any limitations of use. Do not use with forced draft or positive-pressure appliances. The DuraChimney II system is designed to extend vertically with a maximum of two (2) offsets (four elbows total), each offset up to 30° from vertical. DuraChimney II is listed under UL Re-examination Service Number MH7399.

INSTALLATION NOTES

Proper planning for your DuraChimney II installation will result in greater safety, efficiency, and convenience, as well as saving time and money. You must use only authorized DuraChimney II parts to maintain a listed chimney system. Do not mix parts or try to match with other products or use improvised solutions. Do not install damaged or modified parts. Practice good workmanship. Sloppy work could jeopardize your chimney's safety. Keep electrical wiring and building insulation away from all chimneys. When deciding the location of your chimney, try to avoid modifications to roof beams and other structural components of the building. Contact either your dealer or DuraVent directly if you have any questions.

EQUIPMENT & MATERIALS

Drill / Driver
Hammer
Caulking Gun
Plumb Bob
Screwdrivers (Phillips & Standard)
Tin Snips
Saber or Keyhole Saw
Level
Dependable Ladder
Tape Measure
Proper Gloves and Shoes
Eye Protection
Non-hardening Waterproof Sealant
8-Penny Nails
600°F RTV Silicone Sealant
Roofing Nails
#8, 2-1/2" & 1-1/2" Wood Screws

CHIMNEY DIAMETER

Follow the fireplace manufacturer's manual to determine required chimney diameter and clearances between combustible materials and your fireplace. Never use a chimney with an inside diameter smaller than your flue opening above firebox unless specifically allowed by the fireplace manufacturer.

CHIMNEY HEIGHT

The National Fire Protection Association Standard #211 states: "Chimneys shall extend at least three feet above the highest point where it passes through the roof of a building, and at least two feet higher than any portion of a building within ten feet." (**Fig. 1**). Due to the overlap of the joints, subtract 1-inch from each Chimney Section's height to calculate installed height.

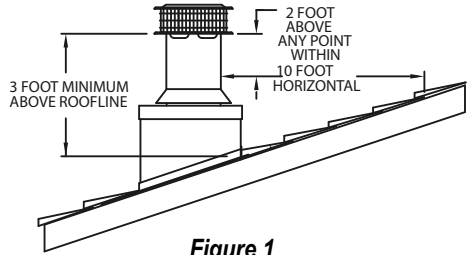


Figure 1

CHIMNEY ENCLOSURE REQUIREMENTS

Through Rooms: Interior chimneys shall be enclosed where they extend through closets, storage areas, occupied spaces, or anywhere where the surface of the chimney could be contacted by persons or combustible materials (including insulation). The air space between the outer wall of the chimney and the enclosure shall be at least 2 inches.

Multi-Story: Consult local building code officials for requirements in your area. The National Fire Protection Association Standard #211 states: "Factory-built chimneys that pass through floors of buildings requiring the protection of vertical openings shall be enclosed with approved walls having a fire resistance rating of not less than one hour when such chimneys are located in a building less than 4 stories in height, and not less than 2 hours when such chimneys are located in a building more than 4 stories in height." In Canada, except in single-family and two-family dwellings, chimneys which extend through another story must have an enclosure with a fire resistance rating equal to or greater than that of the floor or roof assembly through which they pass.

Cold Climates: In cold climates, chimneys mounted on an outside wall should be enclosed in a chase. Exterior chases reduce condensation and creosote formation, and enhance draft. Always maintain a 2-inch air-space clearance to combustibles.

Table 1 Frame Opening Dimension Chart	
Diameter	Framing Dimension
8"	16" X 16"

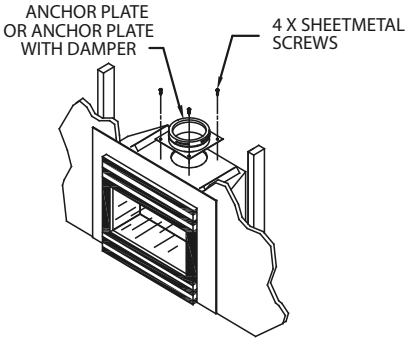


Figure 2

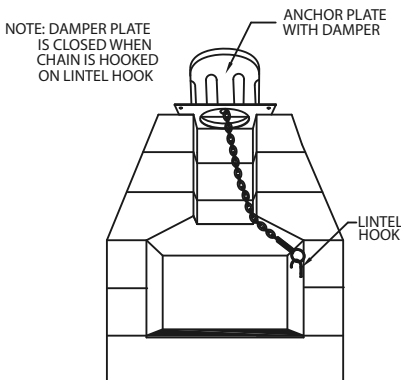


Figure 3

FIREPLACE RECOMMENDATIONS

Always follow the fireplace manufacturer's installation instructions.

Installation: Install your fireplace as described by the fireplace manufacturer. Be sure to maintain all required clearances.

Fuels: Connect only one fireplace per chimney. Operation: Follow the fireplace safety manual for maximum efficiency and safety. Do not over fire. Any damage to the fireplace or chimney can possibly void your warranties.

Fuels: Do not burn driftwood, plastic, or chemically treated wood such as railroad ties. They are corrosive to your chimney system. Follow the fireplace manufacturer's instructions regarding fuels.

FIREPLACE INSTALLATION

1. Manufacturer's Instructions: Carefully read and comply with the manufacturer's installation instructions for your fireplace. Be sure that DuraChimney is approved for use with your fireplace.

2. Mount Anchor Plate: Chimneys begin with an Anchor Plate or Anchor Plate with Damper. **Warning:** Anchor Plate with Damper is not allowed in chimneys serving stoker-fired, liquid or gas-burning appliances. Center the Anchor Plate over the flue opening. If a Damper is used, make sure nothing interferes with the damper plate movement. Attach the Anchor Plate to the fireplace top with (4) 5/8" sheet metal screws (**Fig. 2**). Check with appliance manufacturer about the use of high temperature sealants.

a. Damper Plate: The Damper Plate should swing freely once the Anchor Plate is installed. When the chain is pulled down, the damper plate should close (horizontal position). When the chain is released (no weight on the chain), the damper should swing open (vertical position).

b. Lintel Hook: With the damper plate in the closed (horizontal) position, determine and mark the location for the Lintel Hook. The Lintel Hook should be mounted in a position so as to provide a small amount of tension in the spring attached to the chain (**Fig. 3**). The tension is needed to prevent the damper plate from rattling when closed. Mount the Lintel Hook with the screws provided.

3. Attach Chimney: Attach the first Chimney Section onto the Anchor Plate by twist-locking clockwise. Sheet metal screws may be used to reinforce the connection, however they are not normally required. Screws are only acceptable in the outer liner. Do not penetrate the inner liner of the chimney. Always maintain at least a 2-inch clearance to combustibles. The 2-inch clearance is an air space; do not fill that clearance space with any materials. If an offset is required, refer to the Elbow Offset Installation Section below.

4. Frame Openings: From the ceiling, drop a plumb bob to the center of the fireplace's flue outlet and mark this center point on the ceiling. Refer to **Table 1** for the framing dimensions. Mark appropriate cutting lines around the center point. Cut a square hole in the ceiling. Frame a level, square opening centered over the hole that you have cut. Frame openings at each floor level above the Fireplace (**Fig. 4**). These openings are to hold the Firestop and Attic Insulation Shield. Locate each opening by dropping a plumb bob to the four corners of the opening below. Maintain the minimum 2-inch clearance/air-space.

5. Cut Roof Opening: If penetrating through the roof, determine and cut an opening in the roof directly above the opening below. The cut opening must be at least 4-inches larger than the chimney's outside diameter and the chimney must be centered within this opening to maintain the minimum 2-inch clearance.

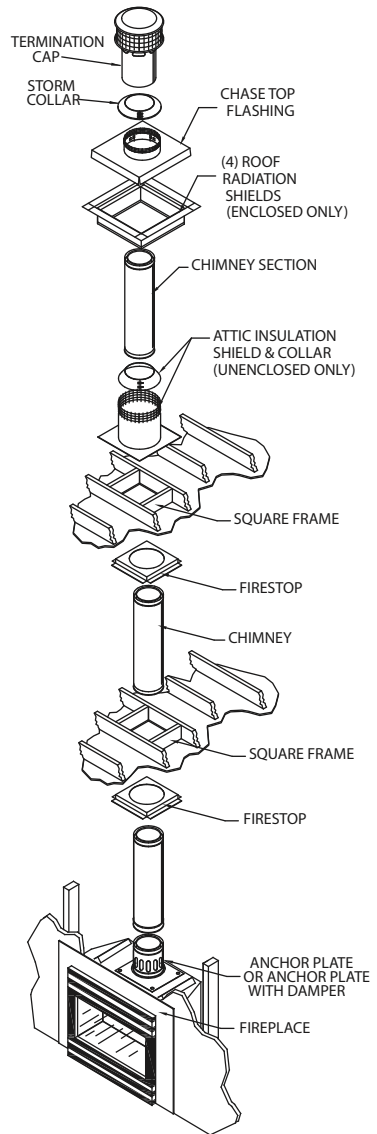


Figure 4

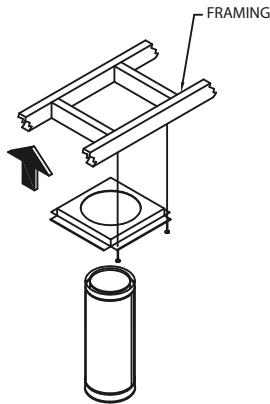


Figure 5

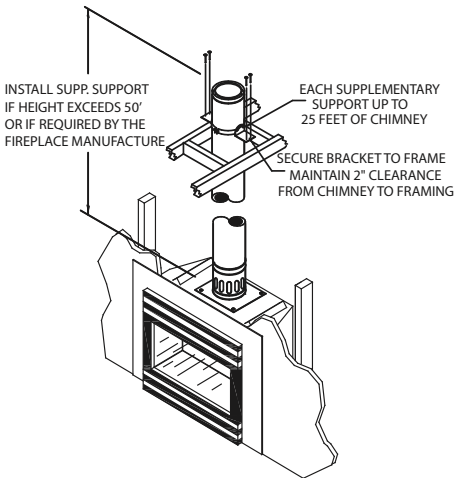


Figure 6

6. Install Firestop: A Firestop is required on each floor penetration in multistory installations. Building Codes require a Firestop at every floor/ceiling level, including where the chimney penetrates into the attic. **Figure 4** shows a typical 2-story installation with an attic. **Note:** a Firestop is not installed where the chimney penetrates through the roof. The Firestop is installed on the underside of the ceiling/floor framing (**Fig. 5**). Use a minimum of either one (1) 8-penny nail or one (1) #8, 1-1/4" wood screws per corner.

7. Assemble Chimney Sections: Chimney sections are connected by lowering the female end of a Chimney Section onto the male end of a previous section of chimney. Turn the top pipe section clockwise to lock them together. Sheet metal screws may be used to reinforce the connection, however they are not normally required. Screws are only acceptable in the outer liner. Do not penetrate the inner liner of the chimney. Use a Wall Strap every eight feet of chimney height.

8. Supplementary Support and Stabilizer: Install a Supplementary Support if total chimney height is greater than 50-feet, or if the fireplace manufacturer requires it. If additional support is needed, install one or more Supplementary Supports which can each support 25-feet of chimney (**Fig. 6**). Clamp the Supplementary Support band around the pipe using the nut and bolt provided, and anchor the support to nearby building framing. Always maintain the 2-inch clearance to combustibles from the chimney pipe. A Stabilizer is available and may be required by some fireplace manufacturers to keep the chimney vertical and help maintain clearances to combustibles within a chase. Clamp the Stabilizer to the pipe using the nut and bolt provided, and secure legs to nearby framing using plumber's tape or guy-wires (**Fig. 7**). Note: the Stabilizer does

not support the weight of the chimney, it is only used to keep chimney centered within a chase.

9. Install Attic Insulation Shield: The Attic Insulation Shield must be installed where the chimney passes into an unconditioned attic. Its purpose is to prevent debris and insulation from getting too close to the chimney. In attic areas where this shield cannot fit, or is not used you must enclose the attic portion of the chimney in a framed enclosure (always maintain 2-inch air-space clearance to combustibles). If the chimney is fully enclosed through the attic, an Attic Insulation Shield is not required. Install the Attic Insulation Shield as follows:

- a. Remove any insulation or debris from attic floor around the framed opening.
- b. Assemble Chimney Sections until at least 18 inches of chimney extends above the Firestop.
- c. Slip the Attic Insulation Shield over the Chimney until the base sits squarely on the framed opening (**Fig. 8**).
- d. Secure the Attic Insulation Shield to the top of the framed opening using at least two (2) 8-penny nails or two (2) #8, 1-1/2" wood screws per side (**Fig. 9**).
- e. Wrap the Collar of the Attic Insulation Shield around the chimney and fasten it loosely. Slide the Collar down to meet the Attic Insulation Shield. Tighten the bolts to secure the Collar in place (**Fig. 9**).

10. Install Roof Radiation Shields: Roof Radiation Shields provide protection for roof or chase framing members. If the area below the roof framing is unenclosed, then the Roof Radiation Shield is not necessary.

Note: Roof Radiation Shields do not allow for a reduced clearance to combustibles. Clearance to combustibles must be a minimum of 2-inch away from the chimney pipe. Install Roof Radiation Shields at either the top of the chase or where the chimney penetrates the

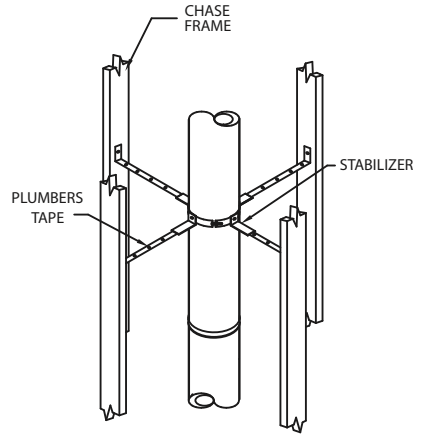


Figure 7

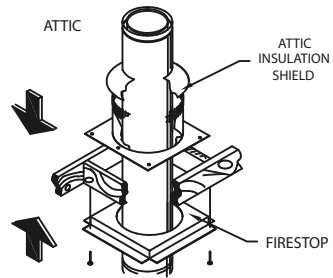


Figure 8

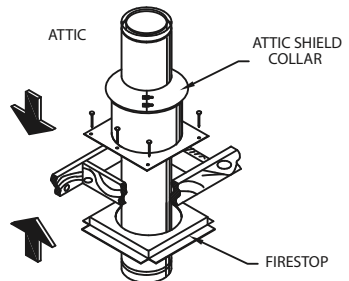


Figure 9

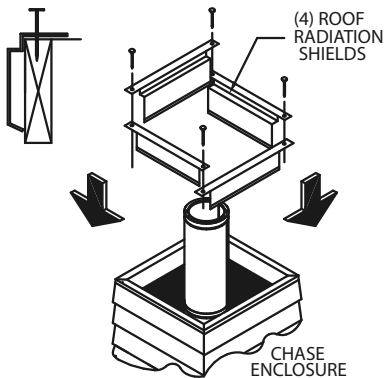


Figure 10

roof, whichever is the top of the installation. Roof Radiation Shields are built with a 1/2-inch air gap standoff from the joist face (**Fig. 10**). The corners of the Roof Radiation Shields overlap each other to ensure proper position. Secure the Roof Radiation Shields to the top of the framing members using screws or nails in the corners (**Fig. 10**). If framing members are further away from the chimney than 2-inches, center the Roof Radiation Shield to the chimney on the framing member and secure in place with screws or nails.

11a. Install Chase Top Flashing: For installations termination through a chase, use a Chase Top Flashing. The Chase Top Flashing allows for a 1 1/2-inch clearance maintained from the chimney and provides required ventilation air. Install the Chase Top Flashing at the top of the chase with a 1/2-inch minimum air clearance off the top of the chase construction (**Fig. 11, 12**). Use spacing clips provided to establish 1/2-inch air clearance. If the Chase Top Flashing does not fit the dimensions of the chase, use a Chase Top Collar Section and extend the base of the flashing as needed for the chase dimensions. Ensure the minimum 1/2-inch spacing and perimeter ventilation requirements are met as show in **Figure 11**. Secure the Chase Top Collar Section to the field-fabricated chase top with sheet metal screws or rivets (**Fig. 13**). Seal Chase Top Collar Section to chase top with non-hardening waterproof sealant to ensure a weather tight connection. Additional screening as needed for field-fabricated chase covers is allowed. Additional 1/2-inch minimum spacers can be field-fabricated as needed out of 24 GA sheet metal or other suitable non-combustible material. Additional non-combustible structural supports can be field-fabricated to help support the chase top flashing if needed, provided the air ventilation requirements are maintained. Secure the Chase

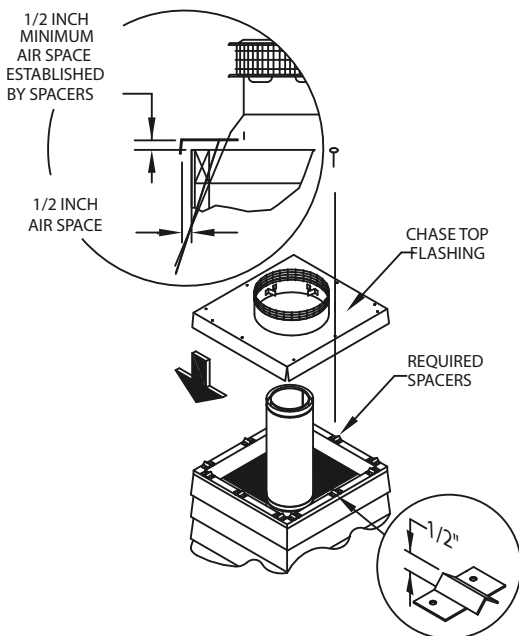


Figure 11

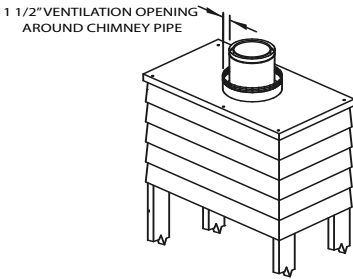


Figure 12

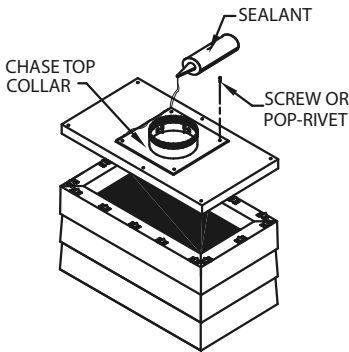


Figure 13

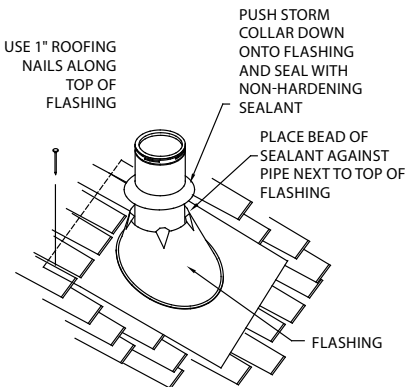


Figure 14

Top Flashing to the chase with at least three (3) screws or nails per side.

11b. Install Roof Flashing: In new construction, assemble the Chimney Section to a point above the roof, then slip the Flashing over the chimney. On an existing roof, center and install the Flashing before extending the chimney above the roof. Allow space to permit sliding the next Chimney Section up through the Flashing. Always ensure the chimney remains vertical (use a level), and that at least a 2-inch clearance to combustible materials is maintained all around. Install the upper edge of the Flashing under the roofing. Nail to the roof along the upper edge and down each side with 1-inch roofing nails. Do not nail the lower edge of the Flashing (Fig. 14). Be sure to follow local building practices, as needed. Seal all nail heads with a non-hardening waterproof sealant. On flat or tarred and graveled roofs, nail and seal the Flat Roof Flashing to the roof on all sides with roofing compound. Do not put screws through the Flashing into the Chimney Pipe.

If you are located in heavy snow country, thought must be given to protecting the chimney from damage due to sliding snow and ice. In these cases, locating the chimney

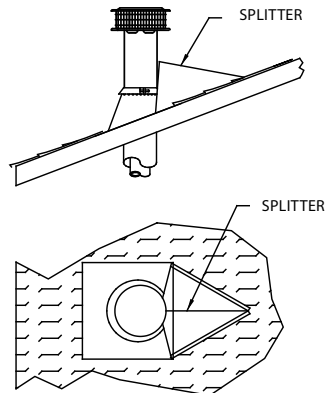


Figure 15

as close as possible to the ridge line is recommended. **Important:** A snow splitter offers no absolute guarantee against damage. The best defense against snow and ice damage is to locate the chimney out of harm's way, or to remove snow & ice as required before it can accumulate to a dangerous level.

12. Finish Top: Apply a non-hardening waterproof sealant around the chimney at the point where the Storm Collar will meet the chimney just above the Flashing (**Fig. 16**). Slide the Storm Collar down over the chimney to the top of the Flashing. The Storm Collar must be installed 1-inch off the Flashing to provide proper ventilation (**Fig. 16**). Tighten the bolts of the Storm Collar and seal the Storm Collar against the Chimney with sealant. Attach the Chimney Cap onto the top of the chimney by setting the female end of the Cap onto the male end of the last Chimney Section and turning the . Do not push down from the top portion of the cap as this may damage the cap. Push from the lower section of the Cap if needed. When installed, the bottom of the Chimney Cap must be at least 6 inches above the Chase Top Flashing (**Fig. 16**). The Chimney Cap can be removed for chimney cleaning as described in the Chimney Maintenance section of the instructions.

13. Enclosures: Enclose chimneys where they pass through occupied spaces, including closets. Always maintain at least a 2-inch clearance between the chimney and any combustible materials. Interior enclosures may be constructed with standard framing and sheathed with sheetrock or plywood. Use a Wall Strap or Stabilizer at least every 8 feet to maintain a minimum of 2-inch of air space between the chimney and combustible materials.

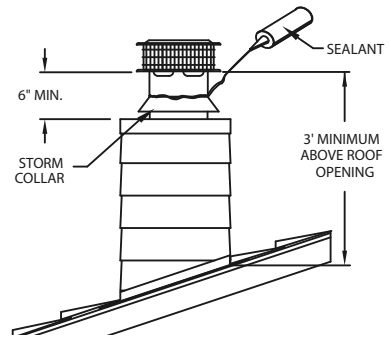


Figure 16

ELBOW OFFSET INSTALLATION

A 30° Elbow (measured from the vertical) is the largest that can be used in an offset. A 30° Elbow may not be combined with another elbow to make a steeper offset (e.g. two 30° Elbows are not allowed to be put together to form a 60° elbow). Avoid Elbows if possible. A totally vertical chimney is more efficient. When Elbows are necessary to avoid obstructions such as rafters, ridgepoles, or joists, you are allowed to install 2 offsets (4 elbows total) in any one chimney system. Refer to Offset Chart in **Table 3** to determine the pipe sections needed for the offset desired. Horizontal runs of chimney violate building code and are not allowed.

1. Attach Elbows: Attach Elbow to Chimney Section or other Elbow by mating the male and female ends with each other and using the four (4) sheet metal screws provided. Attach one Elbow to the Chimney Section below, and align it for the offset. Determine the required offset length and attach an appropriate length (or lengths) of Chimney Section(s) above the Elbow. Attach the second Elbow above the Chimney Section to complete the offset (**Fig. 17**).

2. Secure Offset: Use an Elbow Strap to secure the offset. Secure the Elbow Strap's band to chimney around the upper portion of the top Elbow, then tighten the nut and bolt until the clamp is firm. Wrap the Elbow Strap end over an adjacent joist or rafter and secure it with at least two (2) 8-penny nails or #8, 1 1/2-inch screws. Add additional Elbow Straps for each section of chimney in the offset (**Fig. 17**). Every chimney section in the offset must be supported. Do not add more Chimney Sections until the Elbows and the offset are supported. Be sure that the chimney above the second elbow remains vertical.

Table 3 DuraChimney II Elbow Offset Chart			
Elbow Angle From Vertical	Chimney Length Between Elbows	Size 8" I.D.	
		Offset Inches	Rise Inches
15°	0"	3 7/32	25 7/16
15°	12"	5 7/8	35 3/16
15°	18"	7 3/8	40 15/16
15°	36"	12 1/16	58 3/8
15°	48"	15 1/8	69 15/16
30°	0"	5 3/16	21 3/16
30°	12"	10 5/16	30
30°	18"	13 5/16	35 1/2
30°	24"	16 5/16	40 7/16
30°	36"	22 5/16	51 13/16
30°	48"	28 5/16	61 1/4

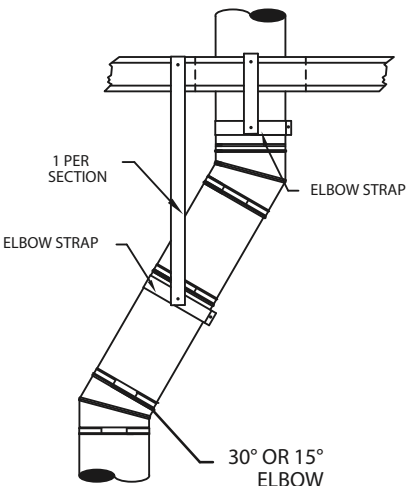
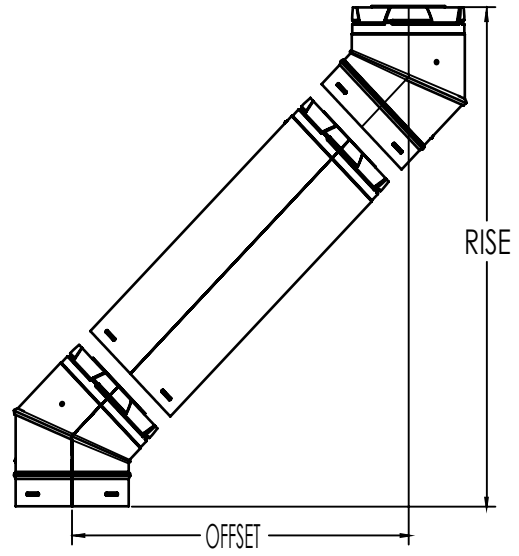


Figure 17



CHIMNEY MAINTENANCE

1. Creosote and Soot: When wood is burned slowly, it produces tar and other organic vapors, which combine with expelled moisture to produce creosote. The creosote vapors condense in the relatively cool chimney flue of a slow-burning fire. As a result, creosote residue accumulates on the flue lining. When ignited, this creosote makes an extremely hot fire.

2. Access: Chimneys must be installed so that access is provided for inspection and cleaning.

3. When to Clean: The chimney should be inspected at least once every month during the heating season to determine if creosote or soot has built up. Check spark arrestor screens at least every 2 to 4 weeks. If creosote or soot has accumulated on the spark arrestor, it should be cleaned or replaced to reduce the risk of chimney fire.

4. How to Clean: Have your chimney cleaned by a professional Certified Chimney Sweep if you have doubts about your ability to clean it. Use a plastic, wood, or steel brush. Do not use a brush that will scratch the stainless steel liner of your chimney. Scrub the spark arrestor with a wire brush. To remove the Chimney Cap for cleaning, unscrew the four (4) screws that attach the top lid of the Cap to the cap's legs.

5. Coal: To reduce corrosion in chimneys where coal is burned, clean the chimney thoroughly within 48 hours of shutting down the appliance for the season.

6. Chemical Cleaners: Use chemical cleaners only as a last resort, and use only those that the manufacturer specifically warrants as being non-corrosive to the chimney. DuraVent will assume no liability for damage resulting from the use of chemical cleaners.

7. In Case of Fire: If a flue fire occurs, close all possible air inlets, and call your Fire Department. Do not use the chimney again until it has been inspected by a Certified Chimney Sweep for possible damage.

8. Painting: As an option, you can coat all exterior metal parts, with the exception of the top portion of the Chimney Cap, with high temperature, rust proof paint. Wash the metal with a vinegar and water solution to remove any oil residue before painting. Painting the chimney will help to increase chimney life.

9. Creosote Formation: DuraVent assumes no liability for structural damage or roof contamination as the result of creosote formation. It is the owner's responsibility to comply with inspection and cleaning requirements as described in these instructions, and those of the appliance manufacturer.

DURAVENT WARRANTY

DuraVent, Inc. ("DuraVent") provides this limited lifetime warranty for all of its products to the original purchaser, with the exception of Ventinox (lifetime), DuraBlack (five years) and all Termination Caps (five years). Subject to the limitations set forth below, DuraVent warrants that its products will be free from substantial defects in material or manufacturing, if properly installed, maintained and used. This Warranty is non-transferable with the exception of Ventinox which is transferable from the original homeowner to the buyer of the home for a period of ten (10) years. This warranty does not cover normal wear and tear, smoke damage or damage caused by chimney fires, acts of God, or any product that was: (1) purchased other than from an authorized DuraVent dealer, retailer or distributor; (2) modified or altered; (3) improperly serviced, inspected or cleaned; or (4) subject to negligence or any use not in accordance with the printed materials provided with the product as determined by DuraVent. This limited lifetime warranty applies only to parts manufactured by DuraVent.

DuraVent provides the following warranties for its products: One Hundred Percent (100%) of the purchase price or MSRP at time of purchase, whichever is lower, for 15 years from the date of purchase, and Fifty Percent (50%) thereafter, except for the following limitations: Ventinox liner and components in wood, oil, wood pellet, and gas installations are warranted at One Hundred Percent (100%) for the lifetime of the original homeowner; Ventinox 316 liner and components for coal burning installations which are warranted One Hundred Percent (100%) for ten years; all Termination Caps and DuraBlack® are warranted at One Hundred Percent (100%) for five years, and at Ten Percent (10%) thereafter.

All warranty obligations of DuraVent shall be limited to repair or replacement of the defective product pursuant to the terms and conditions applicable to each product line. These remedies shall constitute DuraVent's sole obligation and sole remedy under this limited warranty. This warranty provides no cash surrender value. The terms and conditions of this limited lifetime warranty may not be modified, altered or waived by any action, inaction or representation, whether oral or in writing, except upon the express, written authority of an executive officer of DuraVent.

VENTINOX WARRANTY CONDITIONS

Liner and Component warranties contained herein are subject to the following conditions: (1) The Liner and Components must be installed according to DV's installation instructions; (2) The Liner and Components are used only to line or reline chimneys venting residential appliances for which the liner was intended; and (3) documented annual inspection of the Liner and Components and maintenance as deemed necessary, beginning one year after the date of installation and continuing throughout the warranty period, by a Nationally Certified Chimney Sweep or VENTINOX® installer. The Liner and Components warranty is further subject to compliance with the following requirements throughout the warranty period: The chimney must have a chimney cap and chemical chimney cleaners must not be used when cleaning the Liner or Components. Plastic-bristle flue cleaning brushes are recommended. Corn, biofuels, driftwood or other wood containing salt, preservative-treated lumber, plastic and household trash or garbage, or wood pellets containing such materials must not be burned in the appliance or fireplace. In case of a chimney fire, the chimney must be inspected and approved by a certified Chimney Sweep before reuse. After each annual inspection, maintenance, and cleaning, the certified Chimney Sweep must fill out and date the appropriate section of the warranty card provided with the chimney liner.

LIMITATIONS ON INTERNET SALES:

Notwithstanding any other terms or conditions of this limited lifetime warranty, DuraVent provides no warranty for the following specific products if such products are both: (a) purchased from an Internet seller; and (b) not installed by a qualified professional installer: DuraTech®, DuraPlus HTC®, PelletVent Pro®, FasnSeal®, and DuraVent's relining products including DuraLiner®, DuraFlex® 304, DuraFlex® 316, DuraFlex® Pro, DuraFlex® SW, and Ventinox®. For purposes of this warranty, a trained professional installer is defined as one of the following: licensed contractors with prior chimney installation experience, CSIA Certified Chimney Sweeps, NFI Certified Specialists, or WETT Certified Professionals.

DuraVent reserves the right to inspect defective product to determine if it qualifies for replacement under the terms of this limited lifetime warranty. All warranty claims must be submitted with proof of purchase. Labor and installation costs are not covered under this warranty. To obtain warranty service contact DuraVent promptly at DuraVent Warranty Service, 902 Aldridge Rd., Vacaville CA 95688, or call 1-800-835-4429.

WHERE LAWFUL, DURAVENT DISCLAIMS ALL OTHER WARRANTIES, INCLUDING BUT NOT LIMITED TO IMPLIED WARRANTIES OF MERCHANTABILITY AND FITNESS FOR A PARTICULAR PURPOSE. IN NO EVENT WILL DURAVENT BE LIABLE FOR INCIDENTAL, CONSEQUENTIAL, PUNITIVE OR SPECIAL DAMAGES OR DIRECT OR INDIRECT LOSS OF ANY KIND, INCLUDING BUT NOT LIMITED TO PROPERTY DAMAGE AND PERSONAL INJURY. DURAVENT'S ENTIRE LIABILITY IS LIMITED TO THE PURCHASE PRICE OF THIS PRODUCT. SOME STATES DO NOT ALLOW LIMITATIONS ON IMPLIED WARRANTIES, OR THE EXCLUSION OR LIMITATION OF INCIDENTAL OR CONSEQUENTIAL DAMAGES, SO THE ABOVE LIMITATIONS AND EXCLUSIONS MAY NOT APPLY TO YOU. THIS LIMITED WARRANTY GIVES YOU SPECIFIC LEGAL RIGHTS, AND YOU MAY ALSO HAVE OTHER RIGHTS THAT VARY FROM STATE TO STATE.

For the most up-to-date installation instructions, see www.duravent.com
REV 4.5.2017

Manufactured in Vacaville CA and Albany NY

DuraVent®

Customer Service Support: 800-835-4429 • 707-446-4740 FAX • www.duravent.com

DuraChimney is a registered trademark of DuraVent, Inc.
All rights reserved. Made in the USA. ©2017

L183_820015726_Install Instructions_DuraChimney II_07-19-17_V2