

Installation Instructions



Outer Metal Shell for PolyPro
Single-Wall Gas Vent System
for Category II & IV Gas-Burning
Appliances

For Diameters 5", 6", and 8"
(130mm, 150mm, and 200mm)

POLYPRO®
Double Wall

duravent™

A MAJOR CAUSE OF VENT RELATED FIRES IS FAILURE TO MAINTAIN REQUIRED CLEARANCES (AIR SPACES) TO COMBUSTIBLE MATERIALS. IT IS OF THE UTMOST IMPORTANCE THAT POLYPRO® BE INSTALLED ONLY IN ACCORDANCE WITH THESE INSTRUCTIONS.

! WARNING

CARBON MONOXIDE POISONING HAZARD. Failure to follow the steps outlined below for each appliance connected to the venting system being placed into operation could result in carbon monoxide poisoning or death.

- Examine all components for possible shipping damage prior to installation;
- Read all instructions before beginning the installation and follow these instructions exactly as written.
- Proper joint assembly is essential for a safe installation. Check the integrity of ALL joints upon completion of assembly
- This venting system must be free to expand and contract under normal operation.
- Assure unrestricted vent movement where required through walls, ceilings and roof penetrations.
- This venting system must be supported in accordance with these instructions.
- Do not mix pipe, fittings, or joining methods from different vent system manufacturers. Do not use adhesives of any kind with this venting system. insurance and safety listing of your appliance. Acceptance of the installed system is dependant on full compliance with these installation instrucionts

! WARNING

Risk of carbon monoxide poisoning or fire due to joint separation or pipe breakage.

Keep these instructions for future reference.

Dear Customer, Installer, or End User:

We welcome any comments regarding matters pertaining to our Duravent products. We welcome any ideas, input or complaints to help improve our product offering.

If you are searching for tech support or product information, please phone us at 800-835-4429.

Or email us at:
techsupport@duravent.com

PolyPro® is one of Duravent's line of products.



Intertek

PolyPro Double -Wall Gas Vent System

For the most up-to-date installation instructions, see www.duravent.com

CONTENTS

LISTING.....	4
GENERAL INSTALLATION NOTES.....	4
CLEARANCES (TABLE 1).....	4
JOINT CONNECTIONS.....	4
PIPE SUPPORTS (TABLE 2).....	5
APPLIANCE CONNECTION.....	5
WALL AND CEILING PENETRATIONS (TABLE 3).....	6
MAINTENANCE.....	9
WARRANTY.....	12

POLYPRO®
Double Wall

LISTING

Duravent's Double Wall PolyPro system is designed and intended to be used with Single Wall PolyPro only. Listed to ULC S636 Massachusetts Plumbers Board, # G1-0811-42

GENERAL INSTALLATION NOTES

Read these instructions before beginning.

You must follow the installation instructions for the PolyPro vent system. This is a supplement to those instructions.

Double Wall PolyPro is NOT designed nor intended to be used as a Direct Vent System. Combustion air is not to be routed in the space around the PolyPro vent pipe. Double Wall PolyPro may be painted.

IMPORTANT

The vent system must be compliant in accordance with local code requirements and appropriate National Codes: In the US: NFPA 54 / ANSI Z223.1 National Fuel Gas Code or the International Fuel Gas Code. In Canada: CAN/CGA-B149.1 Natural Gas Installation Code or CAN/CGA-149.2 Propane Installation Code.

WARNING

CARBON MONOXIDE POISONING HAZARD

Failure to follow these installation instructions could result in personal injury or death

Table 1- Clearance to Combustibles

	VENT PIPE ORIENTATION	
	Vertical	Horizontal
Double Wall System		
Up to 230°F	0"	0"

PIPE / FITTING ASSEMBLY

Pipe Sections: Slide the PolyPro pipe into the support disk, and into the metal outer shell. The PolyPro pipe will be supported on the disk inside the pipe (**Fig.1**). When installed, the PolyPro socket should be level with the top of the metal outer shell, and the bottom of the PolyPro pipe should protrude beyond the metal outer approx 5/8" (15mm). **PolyPro pipe fittings installed inside the double wall shell, DO NOT REQUIRE LOCKING BANDS.**

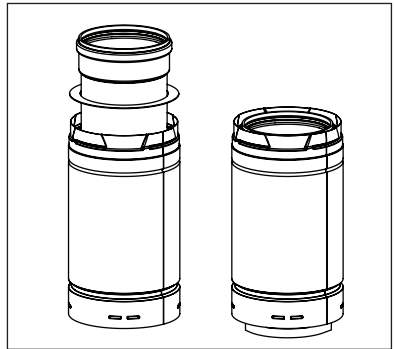


Figure 1- Pipe Installation

Elbows - 45°: Insert the PolyPro elbow into the metal outer shell as shown in **Fig.2**. For this component, there is no inner support disk, the PolyPro pipe will be supported by the fittings on either side of the elbow.

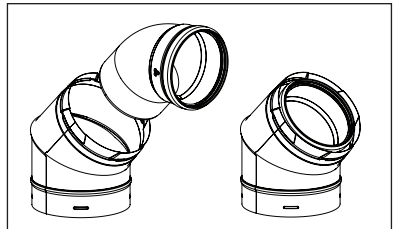


Figure 2- 45 Elbows

Elbows - 90°: Insert the PolyPro elbow into the box as shown in **Fig.3**. The metal shell has an internal support for the PolyPro socket (5",6" has a plate in the box- 8" has a disk).

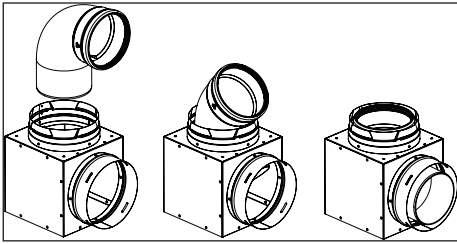


Figure 3- 90 Elbows

Adjustable outer sections are available for both standard pipe sections, and appliance adapters (**Fig.4**). Ensure the adjustable outer shells overlap at least 1" before securing with screws, and that 5/8" of PolyPro will extend beyond the metal outer shell at the installed length. The adjustable sections may be cut for additional adjustment if required.

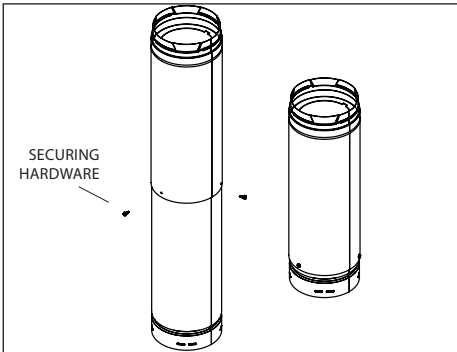


Figure 4- Adjustable Lengths

When connecting various pipe and fittings together, ensure the PolyPro pipe gaskets are in place, the pipe fittings seat firmly into the adjoining PolyPro section, and the outer twist lock on the metal shell engages.

PolyPro Double Wall may be installed horizontally or vertically. **IMPORTANT:** Follow the PolyPro single wall instructions for detail on slope (for Horizontal installations, 3° back to appliance) and support requirements.

PIPE SUPPORTS- TABLE 2

Supports other than the wall strap must be secured to the pipe outer wall with included hardware. Each non-vertical section of PolyPro Double Wall must be supported. Vertical exterior sections must have at least one wall strap per section. Interior vertical pipe may use a non-wall strap support where practical. Each elbow must be supported using elbow straps, metal tape, or other means deemed suitable to the AHJ (Authority Having Jurisdiction). Each install must have a minimum of one wall strap or one roof support.

Table 2 - Double Wall PolyPro Vent Height Supported	
Wall Strap	5 ft (1.5 m)
Elbow Strap	25 ft (7.5 m)
Firestop Support	25 ft (7.5 m)
Roof Support	60 ft (18 m)

TELESCOPING APPLIANCE FITTING

Reference **Fig.5** for a typical appliance connection with a vertical take off (specific components depicted may vary install to install). For installations with a horizontal outlet using a tee (for example), reference **Fig.6**. Should a smaller dimension be

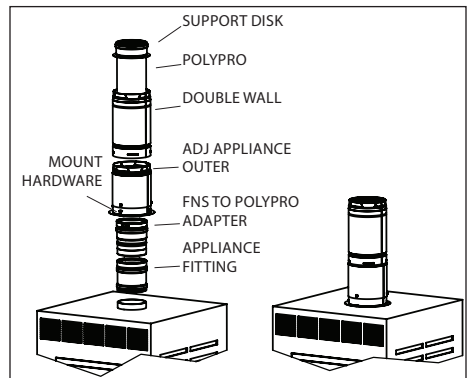


Figure 5- Top Appliance Connection

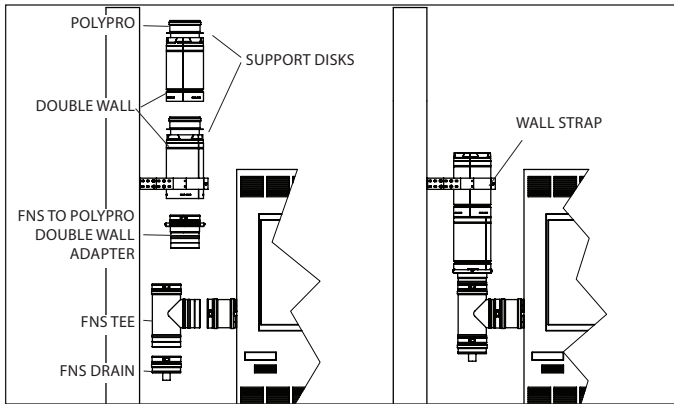


Figure 6- Horizontal Appliance Outlet

needed, the adjustable section(s) may be cut to length.

Table 3 - Wall & Ceiling Penetration Double Wall PolyPro

	VENT DIAMETER		
	5" POLYPRO	6" POLYPRO	8" POLYPRO
Horizontal Termination	5 1/4" 135mm	6 1/8" 155mm	8" 200mm
Wall Penetration- Double Wall	7 1/4" 185mm	8 1/4" 210mm	10 5/8" 270mm
Vertical Double Wall	7 1/4" 185mm	8 1/4" 185mm	10 5/8" 270mm

WALL AND CEILING PENETRATIONS

Table 3 details recommended dimensions for wall / ceiling penetrations. Dimensions are noted for single wall PolyPro Horizontal penetrations, as well as for Double Wall PolyPro when the installation requires. Actual dimensions for Horizontal may vary based on depth of wall, factoring in slope.

Horizontal Wall Penetration (Fig.7, 8, 9)

When penetrating a wall horizontally with Double Wall PolyPro, there are two options:

- Terminate the vent system Horizontally (Fig.7). Follow the installation instructions included with PolyPro for details. The internal wall surface will use a concentric wall plate for connection to the metal outer pipe.

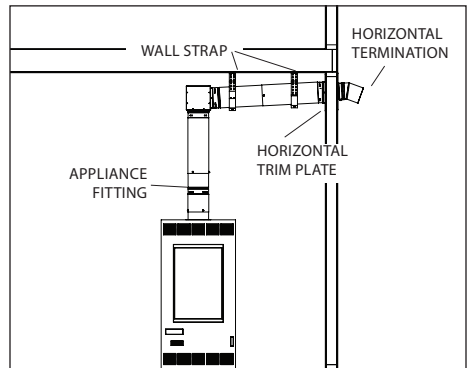


Figure 7- Double Wall Horizontal

- Run the vent system up the exterior wall and terminate vertically (**Fig.8, 9**). **Fig.8** depicts single wall PolyPro run inside the structure, which transitions to Double Wall PolyPro for external use. **Fig.9** depicts Double Wall PolyPro used for the entire vent length.

For **Fig.9**, install the vent from appliance to near the wall penetration. Recommended to install last horizontal pipe section onto the 90 degree elbow and then through the wall, connecting to the vent installed prior. Support the vertical sections with wall straps to the external wall surface, each vertical section needs a support.

Vertical Floor/Ceiling Penetration (Fig.10)

Use wall straps / supports as detailed earlier and in **Table 2**. When penetrating fire rated separations such as ceilings, use

the appropriate fire stop plate, and any associated fire rated caulking, etc which the installation may require.

Roof Support is depicted in **Fig.11**, FireStop Support shown in **Fig.12**.

Terminate the vent system above the roof line as depicted in **Fig.8, 9, 10, 13**. Flashing is shown in **Fig.14**.

You must use only authorized Duravent / Security Chimney parts in order to maintain a safe, listed approved system.

- Do not install damaged or modified parts.
- Use soapy water to lubricate gaskets.
- Never use Petroleum base lubricants.

If you have any questions, contact either your dealer or Duravent directly.

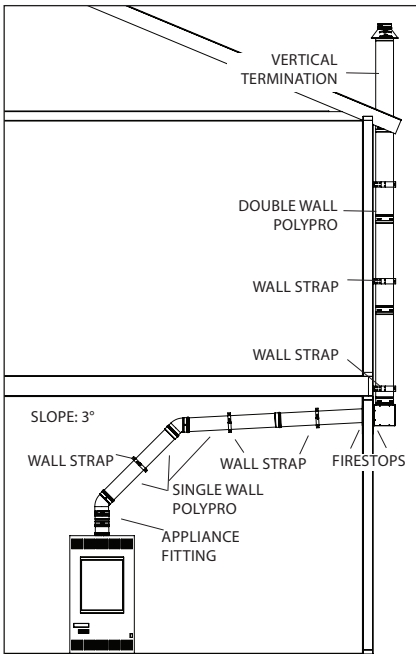


Figure 8- Single Wall / Double Wall

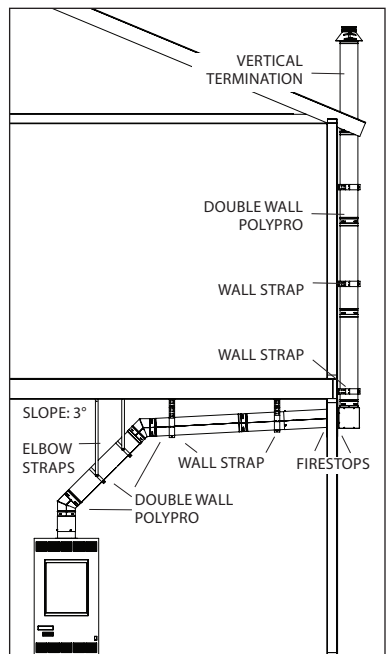


Figure 9- Double Wall

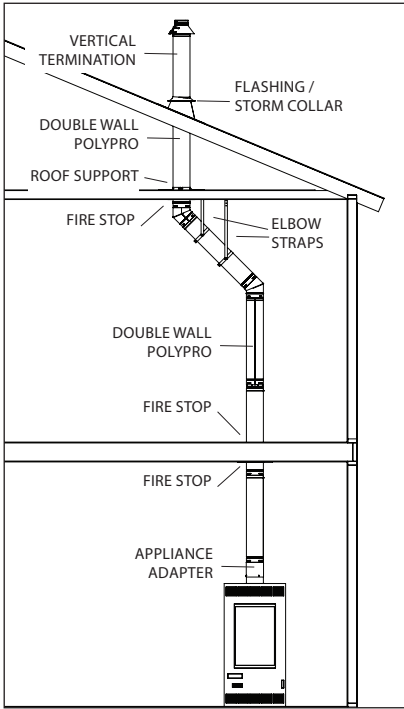


Figure 10- Single Wall Vertical

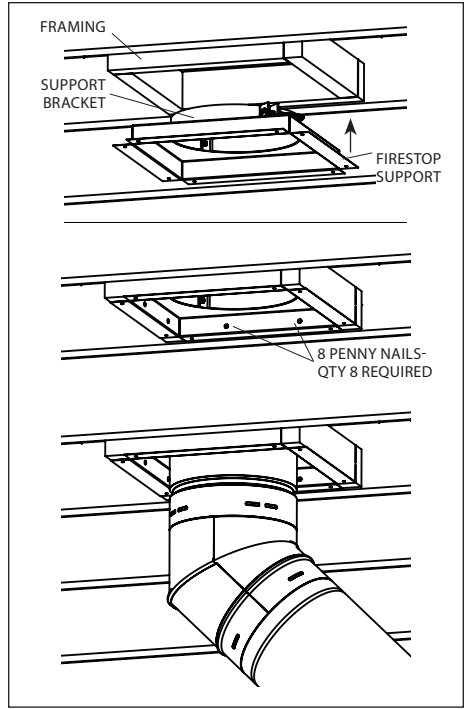


Figure 12- FireStop Support

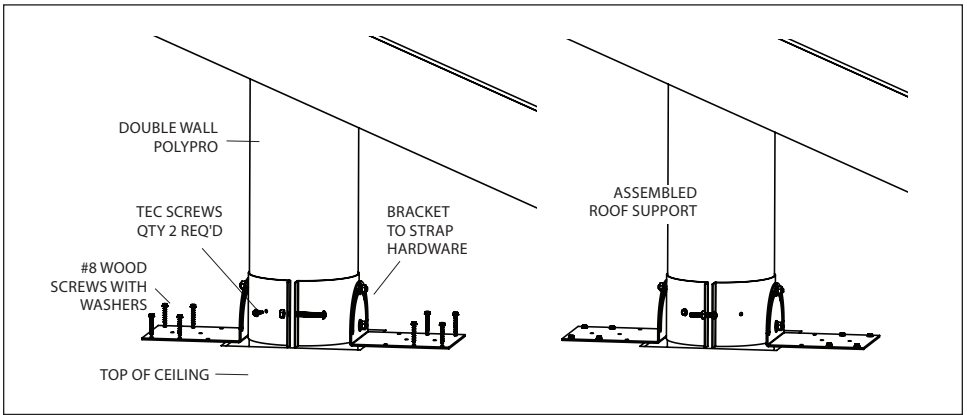


Figure 11- Roof Support

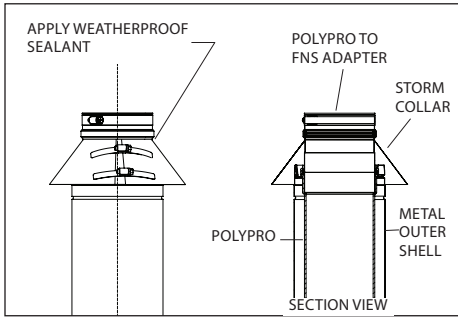


Figure 13- Vertical Termination

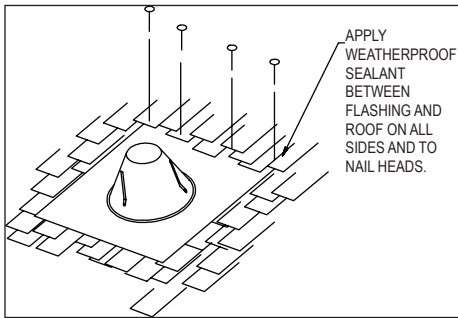


Figure 14- Flashing

MAINTENANCE

Have your venting system checked annually. This can be done easily by the same technician who inspects & services the appliance. Recommended areas to inspect are as follows:

- Check areas of the Venting System which are exposed to the elements for wear or damage. If damage is found, the components should be replaced immediately.
- Where possible, look into the Termination Cap to verify no foreign material is there to block the vent. Remove any foreign material found.
- Where practical, inspect joints to verify that no Pipe Sections or Fittings have been disturbed, and consequently loosened. Also check mechanical supports such as Wall Straps, support plates, etc for rigidity.



POLYPRO WARRANTY

Duravent, Inc. ("Duravent") provides this warranty for PolyPro® for ten years. Subject to the limitations set forth below, Duravent warrants that its products will be free from defects in material or manufacturing, if properly installed, maintained and used. Duravent products are fully warranted if installed only by a professional installer. This Warranty is transferable from the original homeowner to the buyer of the home within the warranted ten years. This warranty does not cover normal wear and tear, smoke damage or damage caused by chimney fires, acts of God, or any product that was: (1) purchased other than from an authorized Duravent dealer, retailer or distributor; (2) modified or altered; (3) improperly serviced, inspected or cleaned; or (4) subject to negligence or any use not in accordance with the installation instructions included with the product as determined by Duravent.

Installation instructions are available online at www.duravent.com under Support/Literature and through our Customer Service Department 800-835-4429 or customerservice@duravent.com.

Duravent provides the following warranties for PolyPro: One Hundred Percent (100%) MSRP 10 years from the date of purchase.

All warranty obligations of Duravent shall be limited to repair or replacement of the defective product pursuant to the terms and conditions applicable to each product line. These remedies shall constitute Duravent's sole obligation and sole remedy under this warranty. This warranty provides no cash surrender value. The terms and conditions of this warranty may not be modified, altered or waived by any action, inaction or representation, whether oral or in writing, except upon the express, written authority of an executive officer of Duravent.

This product is intended for venting only category II & IV appliances burning Natural Gas, Propane and Oil. All other fuels are not covered under this warranty.

LIMITATIONS ON POLYPRO INTERNET SALES: Notwithstanding any other terms or conditions of this PolyPro Warranty, Duravent provides no warranty for PolyPro® if it is not installed by a qualified professional installer.

Duravent must be notified and given the opportunity to inspect defective product prior to replacement under the terms of this limited lifetime warranty. All warranty claims must be submitted with proof of purchase. Labor and installation costs are not covered under this warranty. To obtain warranty service contact: Duravent Warranty Service, 877 Cotting Ct., Vacaville CA 95688, or call 800-835-4429.

WHERE LAWFUL, DURAVENT DISCLAIMS ALL OTHER WARRANTIES, INCLUDING BUT NOT LIMITED TO IMPLIED WARRANTIES OF MERCHANTABILITY AND FITNESS FOR A PARTICULAR PURPOSE. IN NO EVENT WILL DURAVENT BE LIABLE FOR INCIDENTAL, CONSEQUENTIAL, PUNITIVE OR SPECIAL DAMAGES OR DIRECT OR INDIRECT LOSS OF ANY KIND, INCLUDING BUT NOT LIMITED TO PROPERTY DAMAGE AND PERSONAL INJURY. DURAVENT'S ENTIRE LIABILITY IS LIMITED TO THE PURCHASE PRICE OF THIS PRODUCT. SOME STATES DO NOT ALLOW LIMITATIONS ON IMPLIED WARRANTIES, OR THE EXCLUSION OR LIMITATION OF INCIDENTAL OR CONSEQUENTIAL DAMAGES, SO THE ABOVE LIMITATIONS AND EXCLUSIONS MAY NOT APPLY TO YOU. THIS LIMITED WARRANTY GIVES YOU SPECIFIC LEGAL RIGHTS, AND YOU MAY ALSO HAVE OTHER RIGHTS THAT VARY FROM STATE TO STATE.

For the most up-to-date installation instructions, see www.duravent.com

duravent[™]

Customer Service Support: 800-835-4429 • 707-446-4740 FAX www.duravent.com

PolyPro® is a registered trademark of Duravent, Inc.
All rights reserved, ©2012, 2017, 2024

L273DW_820014212_Install Instructions_PolyPro_06-28-24