

# DURATECH PREMIUM® DTP

Factory-built 650°C  
Chimney 6", 7", & 8" dia.

## CONTENTS

**WARNING**.....2

**KEEP YOUR CHIMNEY CLEAN, SIZING CHART**.....3

**GENERAL INSTALLATION NOTES**.....4-5

**INTERIOR STRAIGHT INSTALLATION - SINGLE FLOOR**.....6-7

**INTERIOR STRAIGHT INSTALLATION - MULTIPLE FLOOR**.....8-9

**INTERIOR INSTALLATION WITH CATHEDRAL CEILING**.....10-11

**OFFSET INSTALLATION**.....12-14

**EXTERIOR INSTALLATION**.....15-17

**SPECIALIZED COMPONENTS**.....18

**WARRANTY**.....19

## INSTALLATION

## AND

## OPERATION

## INSTRUCTIONS

### WARNING

**A MAJOR CAUSE OF CHIMNEY-RELATED FIRES IS FAILURE TO MAINTAIN REQUIRED CLEARANCES (AIR SPACES) TO COMBUSTIBLE MATERIALS. IT IS OF UTMOST IMPORTANCE THAT THIS CHIMNEY BE INSTALLED ONLY IN ACCORDANCE WITH THESE INSTRUCTIONS.**

**Read these instructions and keep them for future reference**

Listed: Warnock Hersey 9651

Standard: ULC S629-M87



Intertek

# DuraVent®

877 Cotting Court, Vacaville, CA 95688  
800-835-4429; [www.DuraVent.com](http://www.DuraVent.com)



PIDURAPREMIUM REV.1 01/2018

## RECOMMENDATIONS

### Clearance

The clearances stated in this guide are minimum requirements: if more space is available, use it. Minimum clearances mean leaving unobstructed air space. Do not fill these spaces with any material whatsoever, especially not insulating material.

### Inspection

Contact local building or fire officials about restrictions, installation inspections and permits that may be required in your area.

### Replacement Parts

If a component of your chimney system is damaged it must be replaced by an identical one from Du-raVent.

### WARNING

#### CREOSOTE FORMATION AND NEED FOR REMOVAL

When wood is burned slowly, it produces tar and other organic vapors, which when combined with expelled moisture form creosote. The creosote vapors condense in the relatively cool chimney flue of a slow-burning fire. As a result, creosote residue accumulates on the flue lining. When ignited this creosote makes an extremely hot fire. ...A creosote deposit just 1/8" (3 mm) thick is enough to cause a chimney fire.

#### COAL

Some coals contain large quantities of sulphur (up to 7%). When coal is burned, sulphur and coal ashes are deposited in the chimney flue. This deposit combines with moisture to form a highly corrosive acid (sulphuric acid). In order to protect your chimney, we recommend that you:

1. Burn only low sulphur coals (less than 1% sulphur).
2. Have your chimney cleaned within 48 hours of shutting down your stove at the end of the heating season. Be certain that all the soot is removed. Wipe the chimney flue using a strong solution of baking soda and water. This can be done by wrapping a rag around a chimney cleaning brush, dipping it into the baking soda-water solution then passing it through the chimney three or four times.

## WOOD AND COAL STOVES

If you are planning to install a wood stove, we recommend that you:

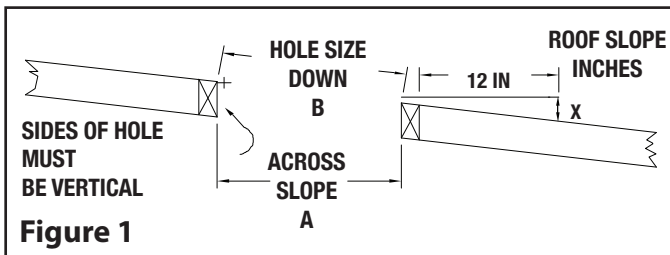
1. Choose a stove that bears the label of a testing laboratory (such as ULC, CSA, WH, UL, or ICBO).
2. Choose the right size stove. Do not buy one larger than you need.
3. Connect only one appliance to a chimney.
4. Never overfire your stove. If any part of the stove or stove pipe is glowing red, then you are overfiring. Immediately close the stove's dampers until the system cools. The high temperature caused by overfiring can permanently damage the stove and stove pipe and may overheat nearby combustible walls and furniture.
5. Install the stove and stove pipe as described in the installation instructions accompanying the stove. Be certain to maintain the required clearances to combustible construction.
6. Keep your flue gases between 300°F and 500°F. This will maximize efficiency while minimizing condensation and creosote formation. Do not fill your stove with wood and allow it to smoulder for 8 to 10 hours. This condition produces large amounts of creosote in the chimney.
7. Do not burn sea driftwood or treated wood. These combustibles are highly corrosive to all types of stainless steel.

# KEEP YOUR CHIMNEY CLEAN

## CHIMNEY OPERATION AND MAINTENANCE

Wood stoves can quickly create large deposits of creosote in the chimney. Some wood stoves can create enough creosote in two weeks to cause a chimney fire. When using a wood stove, we recommend that you:

1. Initially, inspect the chimney system weekly. You will learn how often it will be necessary to clean your chimney.
2. The chimney should be inspected at least once every 2 months during the heating season to determine if a creosote or soot build-up has occurred. If creosote or soot has accumulated, it should be removed to reduce the risk of chimney fire.
3. Have your chimney cleaned by a qualified chimney sweep. If you want to clean your chimney yourself: clean your chimney using plastic, wood, or stainless steel brushes. Do not use a brush that will scratch the stainless steel interior of your chimney.
4. Do not expect chemical chimney cleaners to keep your chimney clean. Their use does not negate the necessity of periodically inspecting and cleaning your chimney.



# SIZING CHART

CHIMNEY-SIZE	6"	7"	8"
OUTSIDE-DIAMETER	10"	11"	12"
<b>FRAMING-DIMENSION-REQUIRED</b>			
Reduced Clearance Support (RCS)	12 1/8"	13 1/8"	14 1/8"
Finish Support (SFC)	14-3/8"	14-3/8"	14-3/8"
Firestop (FS)	14"	15"	16"
Wall Thimble (WTI)	14"	15"	16"
<b>MAX. LENGTH HEIGHT SUPPORTED **</b>			
Wall Support (TS), (ATSC), & (ATS)	30'	28'	26'
Roof Support (RS)	20'	18'	16'
Reduced Clearance Support (RCS)	30'	28'	26'
Finish Support (SFC)	30'	28'	26'
Offset/Wall Support (URES) (WS)	24'	22'	20'
Insulated Tee (T) *	30'	28'	26'

**Table 1**

\* When installed on a concrete footing.

\*\* NOTE: If greater height is required, use additional roof supports at intervals not exceeding 30'

# ROOF OPENING CHART

CHIMNEY SIZE	6"		7"		8"	
ROOF SLOPE (X/12)	ROOF HOLE SIZE					
	A	B	A	B	A	B
0	14	14	15	15	16	16
2/12	14	14 1/4	15	15 1/4	16	16 1/4
4/12	14	14 7/8	15	15 7/8	16	16 7/8
6/12	14	15 3/4	15	16 3/4	16	17 7/8
8/12	14	16 7/8	15	18 1/8	16	19 1/4
10/12	14	18 1/4	15	19 9/16	16	20 7/8
12/12	14	19 7/8	15	21 1/4	16	22 5/8

**Table 2 - Refer to Figure 1**

NOTE: DIAGRAMS & ILLUSTRATIONS ARE NOT TO SCALE.

# 1

## GENERAL INSTALLATION NOTES

### INSTALLATION NOTES

1. The chimney is intended for use with solid, liquid, and gaseous fuel burning appliances.  
Allowable flue gas temperature:  
Maximum continuous 650°C (1200° F)  
Brief forced firing 760°C (1400°F)  
Tested to 1150°C (2100°F) - 30 minutes
2. The maximum height of chimney supported by the various Duravent supports are outlined on page 3.
3. The supports described in this booklet should only be used with Duratech Premium model DTP, 6", 7", and 8" factory built chimneys.
4. Size the chimney in accordance with the appliance manufacturer's instructions.
5. When a firestop (FS or ARS) is installed, it is important to follow the framing dimensions for the floor openings prescribed in this manual.
6. A chimney servicing a fireplace or an incinerator shall not serve any other appliance.
7. The chimney shall extend at least 3 ft above its point of contact with the roof and at least 2 ft higher than any wall, roof or adjacent building within 10 ft of it.
8. The maximum height of an unguided chimney above the roof is 5 ft. If the chimney extends more than 5 ft. above the roof, a Universal Roof Brace (XRSU) must be used.
9. The clearance between single wall pipe and unprotected combustible material must not be less than 18" (see National Building Code and NFPA 211) except: The distance between the vertical stove pipe and the ceiling may be less than 18" and will be established by the finish support.
10. Portions of the chimney which may extend through accessible spaces shall be enclosed in all cases to avoid personal contact with the chimney and damage to the chimney. Except for installation in single and two-story family dwellings, the enclosure must have a fire resistance rating equal to or greater than that of the floor or roof assemblies through which they pass.
11. Do not fill the 2" space around the chimney with insulation or any other material. Insulation placed in this area could cause adjacent combustibles to overheat.
12. Self tapping screws are not required, but may be used to reinforce the connection and avoid accidental unlocking of chimney lengths. Use only 1/2" self-tapping screws. Do not penetrate the inner wall of the chimney.
13. **If needed, when penetrating the building envelope the gap between the outer layer of chimney and any firestop or wall thimble can be sealed using high temperature rated (600°F) silicone caulking.**



### WARNING

**The clearance between the chimney and combustible material must not be less than 2", except where established by the support. Do not fill this area with insulation.**

# 1

## GENERAL INSTALLATION NOTES (CONT'D)

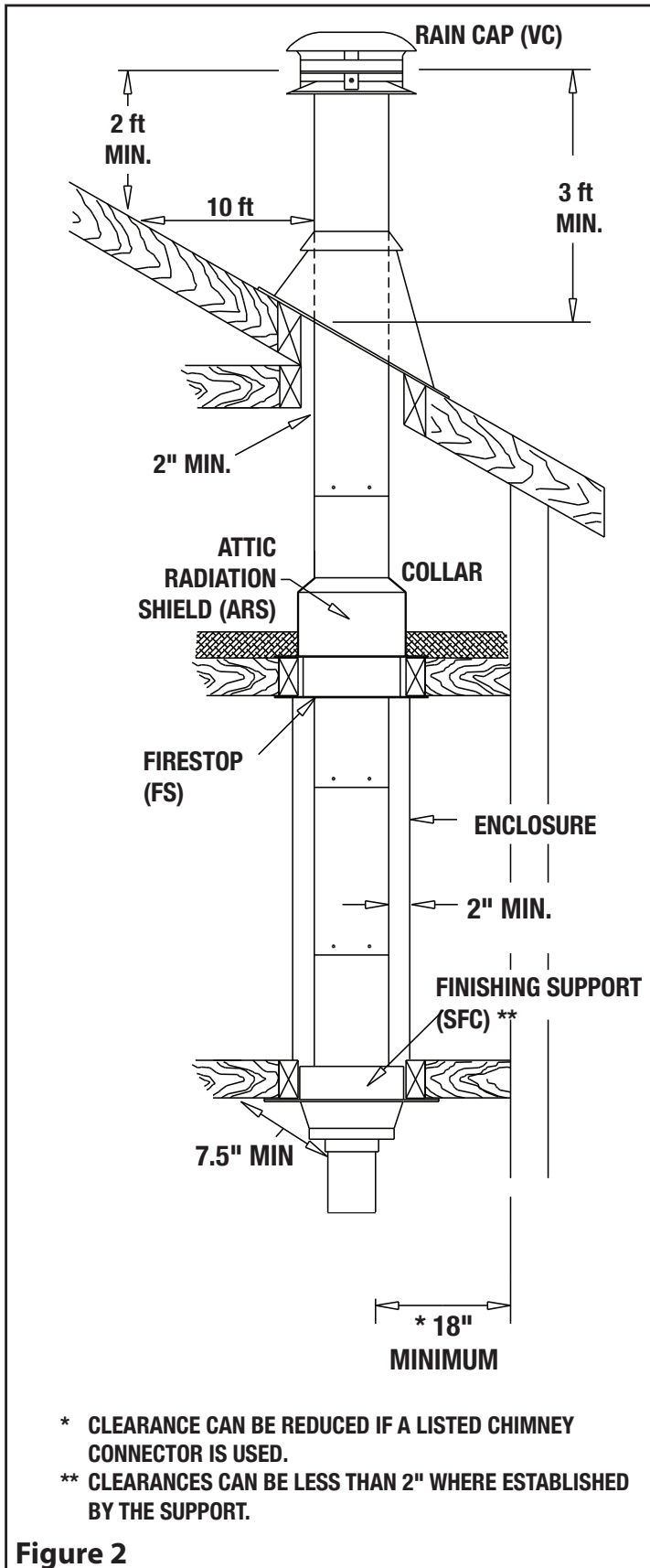


Figure 2

NOTE: DIAGRAMS & ILLUSTRATIONS ARE NOT TO SCALE.

# 2

## INTERIOR STRAIGHT INSTALLATION - SINGLE FLOOR

**NOTE:** If using the Reduced Clearance Support (RCS) at the attic level, the use of the attic radiation shield (ARS) is not required. The Reduced Clearance Support acts as an attic radiation shield when installed with insulation and a collar (provided) (see Figure 4).

**NOTE:** If needed, a Support Extension (SE) is available. See page 11

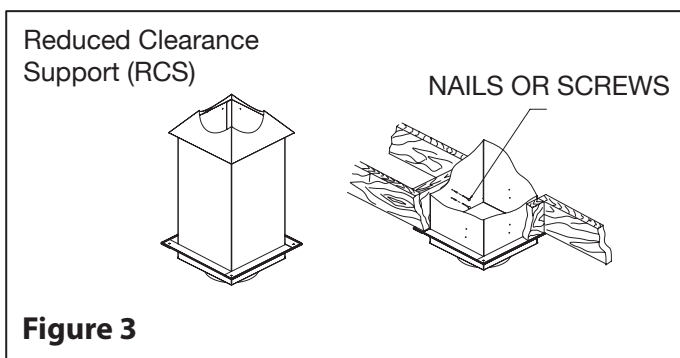
Step 1: Locate the chimney in a convenient place as near as possible to the appliance outlet.

Step 2: Cut and frame the openings in the ceiling and roof where the chimney will pass.

**NOTE:** It is important to follow the framing dimensions for the floor openings prescribed in this manual.

	FRAMING DIMENSION	
CHIMNEY SIZE	Reduce Clearance Support	ROOF OPENING
6"	12-1/8" x 12-1/8"	14" x 14"
7"	13-1/8" x 13-1/8"	15" x 15"
8"	14-1/8" x 14-1/8"	16" x 16"

**Table 3**



**Figure 3**

Step 3: From below push the square support into the framed opening making sure the square support extends a minimum of 3 1/2" below the finished ceiling. Screw finish trim (included) to the ceiling. Attach the support to the framed box using (12) - 3" spiral nails or #8 x 1 1/2" wood screws (see Figure 3).

Step 4: Wrap the insulation pad around the bottom of the first chimney length.

Step 5: Put this first chimney length in the support. Turn in clockwise to lock it in place.

**NOTE:** Make sure arrow on pipe label is pointing upward.

Step 6: Place the collar around the chimney on top of the square support. Make sure it completely covers the top of the square support.

Step 7: Stack the next chimney length on the first length. Be sure that the male and female threads are not in line when putting the lengths together. Turn the chimney clockwise to lock it in place. Continue until the required chimney height is reached. You may add a self tapping screw to prevent accidental unlocking.

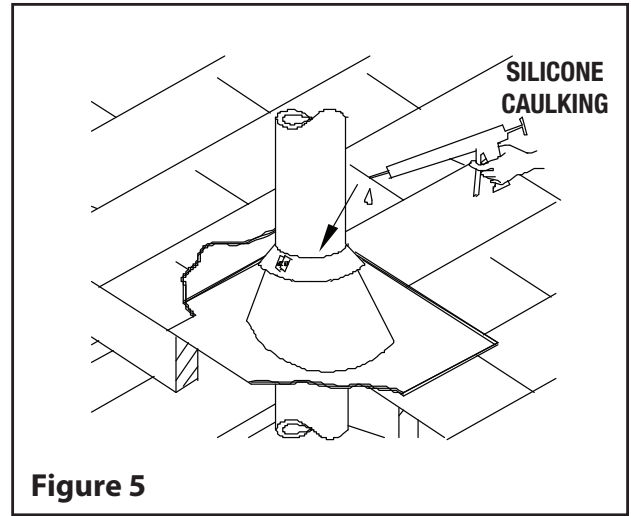
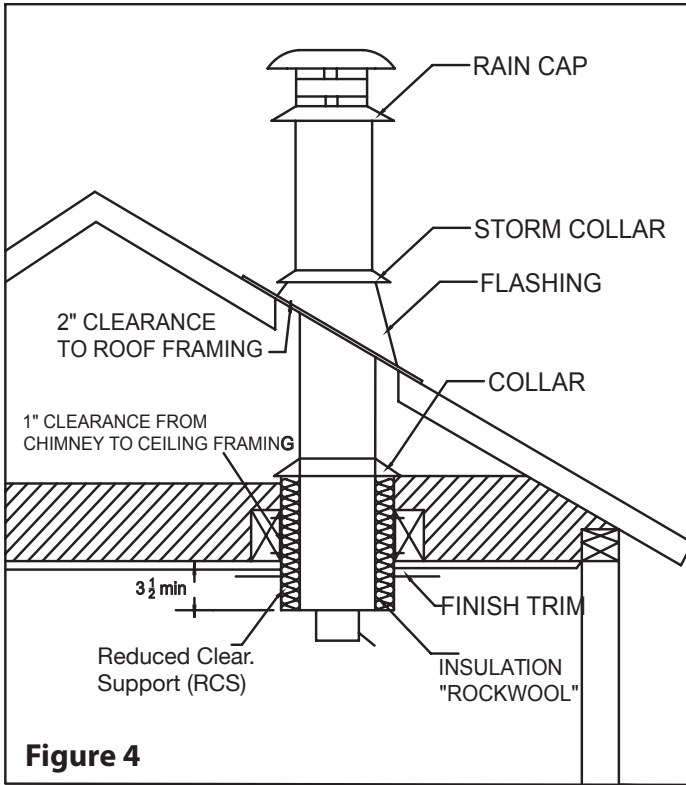
### Step 8: ROOF FLASHING INSTALLATION

Put the roof flashing in place. Seal the joint between the roof and the flashing with roofing compound. For sloping roofs, place the flashing under the upper shingles and on top of the lower shingles. Nail the flashing to the roof. Place the storm collar around the chimney and slide down on top of the flashing. Tighten it with the bolt supplied and make sure the joint is properly caulked (see Figure 5).

Step 9: Attach the rain cap to the top of the chimney.

# 2

## INTERIOR STRAIGHT INSTALLATION - SINGLE FLOOR (CONT'D)



# 3

## INTERIOR STRAIGHT INSTALLATION - MULTIPLE FLOOR

Step 1. Locate the chimney in a convenient place as near as possible to the appliance outlet.

Step 2. Cut and frame the openings in the floor, ceiling and roof where the chimney will pass.

**Note:** It is important to follow the framing dimensions for the floor openings prescribed in this manual.

FRAMING DIMENSION		
CHIMNEY SIZE	FINISH SUPPORT (SFC)	RADIATION SHIELD* & ROOF
6"	14-3/8" x 14-3/8"	14" x 14"
7"	14-3/8" x 14-3/8"	15" x 15"
8"	14-3/8" x 14-3/8"	16" x 16"

**Table 4** \* For sloping roofs see size Table 2 on page 3

Step 3: From below push the square support into the framed opening. Screw finish trim (included) to the ceiling. Attach the support to the framed box using (12) - 3" spiral nails or #8 x 1 1/2" wood screws (see Figure 6).

Step 4. Put the first chimney length in the support. Turn it clockwise to lock it in place (see Figure 7).

**NOTE:** Make sure arrow on pipe label is pointing upward.

Step 5. Install a Firestop Plate (FS) in each floor through which the chimney passes.

Step 6. Stack the next chimney length on the first length. Be sure that the male and female threads are not in line when putting the lengths together. Turn the chimney clockwise to lock it in place. You may add a 1/2" stainless steel self tapping screw to prevent accidental unlocking. Continue until the required chimney height is reached.

Step 7. At the attic level, install a Firestop Plate (FS), from below and an Attic Radiation Shield (ARS) and Storm Collar from above (see Figure 8).

### Step 8. ROOF FLASHING INSTALLATION

Put the roof flashing in place. Seal the joint between the roof and the flashing with roofing compound. For sloping roofs, place the flashing under the upper shingles and on top of the lower shingles. Nail the flashing to the roof using roofing nails. Place the storm collar over the chimney and the flashing. Tighten it with the bolt supplied making sure the joint is properly caulked (see Figure 9).

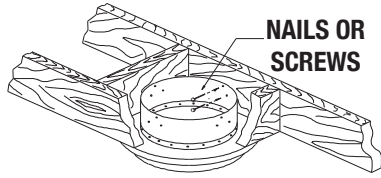
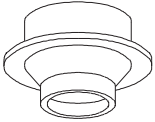
Step 9. Attach the rain cap to the top of the chimney.



# 3

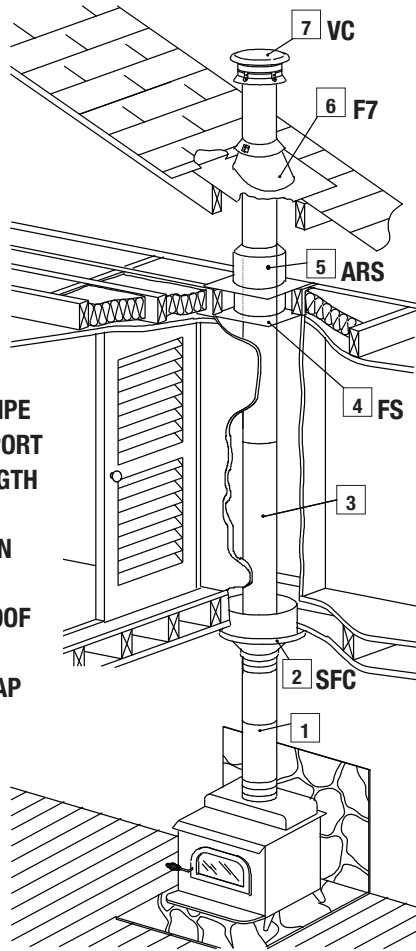
## INTERIOR STRAIGHT INSTALLATION - MULTIPLE FLOOR (CONT'D)

**FINISH SUPPORT (SFC)**



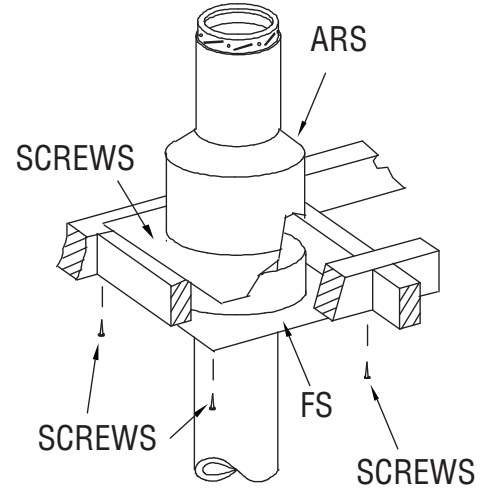
**NAILS OR SCREWS**

**Figure 6**



- 1. BLACK STOVE PIPE
- 2. FINISHING SUPPORT
- 3. INSULATED LENGTH
- 4. FIRESTOP
- 5. ATTIC RADIATION SHIELD
- 6. ADJUSTABLE ROOF FLASHING
- 7. DELUXE RAIN CAP

**Figure 7**



**Figure 8**



**Figure 9**

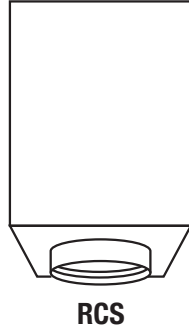
# 4

## INTERIOR INSTALLATION WITH CATHEDRAL CEILING

### REDUCED CLEARANCE SUPPORT

**NOTE:** The Reduced Clearance Support comes with a collar. It can be discarded for this application.

Step 1: Locate the chimney in a convenient location as near as possible to the appliance outlet. Cut and frame an opening in the roof for the support. The sides of this hole must be vertical.



See Figure 10

Step 2: From below, push the Reduced Clearance Support into the framed opening in the ceiling.

**NOTE:** The bottom portion of the support must extend below the ceiling. See Table 6.

Step 3: Using a level, make sure the support is vertical. If the support extends above the roof, cut it flush with the top of the roof. Nail the support to the framed opening using (12)-3" spiral nails or #8 x 1 1/2" wood screws.

See Figure 10

Step 4: Step 4: Place first chimney length into the support. Twist to lock into place. Wrap the insulation pad around the chimney, then slide it down within the support box. Make sure the insulation makes contact with the bottom of the support. Any excess insulation can be removed.

In steeper cathedral applications where a extra box length is required, additional insulation may be added to the support, and if required, to the (DTP-SE) box extension. Approved insulation must be listed / compliant with ASTM E136/ ULC S114 as Non-Combustible, have a melting temperature above 2000°F/1100°C, and be water resistant with low moisture absorption. Materials such as rockwool or mineral wool qualify.

**IMPORTANT:** Approval to include additional insulation around the chimney applies only within the (DTP-RCS) and (DTP-SE) support extension. DO NOT attempt to field-insulate around the pipe at any other location or within any other uninsulated component offered by Duravent.

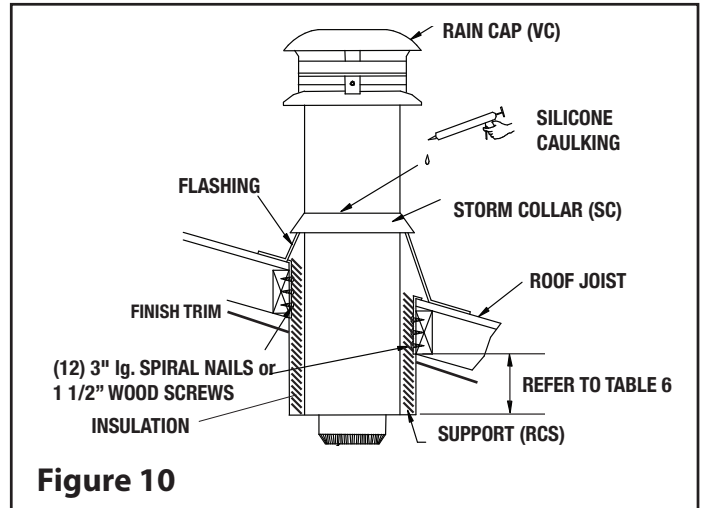


Figure 10

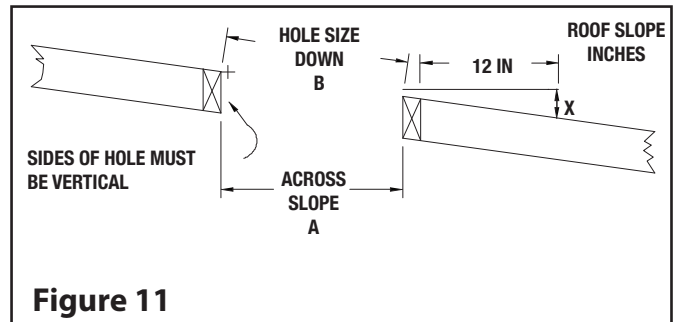


Figure 11

	6"		7"		8"	
Chimney Size	Hole Size (Reduce Clearance Support)					
Roof Slope	A	B	A	B	A	B
x/12						
0	12-1/8	12-1/8	13-1/8	13-1/8	14-1/8	14-1/8
2/12	12-1/8	12-1/4	13-1/8	13-1/4	14-1/8	14-3/8
4/12	12-1/8	12-3/4	13-1/8	13-7/8	14-1/8	14-7/8
6/12	12-1/8	13-1/2	13-1/8	14-5/8	14-1/8	15-7/8
8/12	12-1/8	14-1/2	13-1/8	15-3/4	14-1/8	16-7/8
10/12	12-1/8	15-7/8	13-1/8	17-1/8	14-1/8	18-1/2
12/12	12-1/8	17-1/8	13-1/8	18-1/2	14-1/8	20

Table 5 NOTE: ALL DIMENSIONS ARE IN INCHES.

TO CONTINUE INSTALLATION  
REFER TO FLASHING INSTALLATION ON PAGE 6.

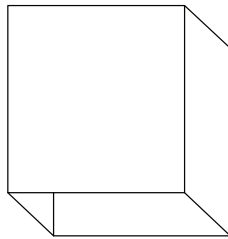
# 4

## INTERIOR INSTALLATION WITH CATHEDRAL CEILING (CONT'D)

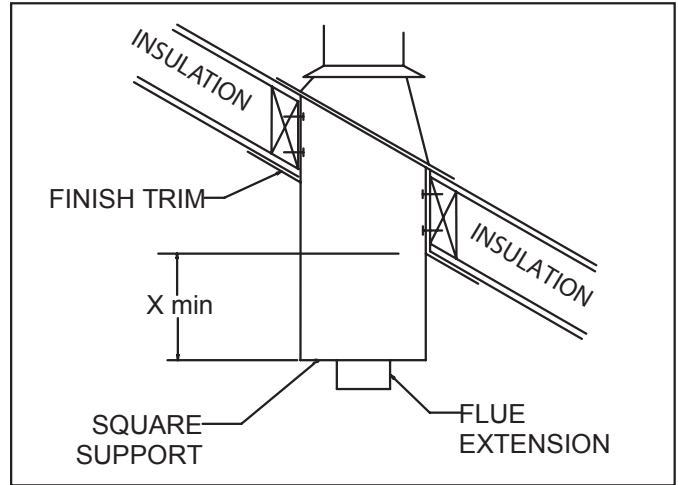
### Reduce Clearance Support Extension (SE)

Steep pitched cathedral ceilings may require the use of a Support Extension (SE). This piece fits down inside the Reduced Clearance Support and can be adjusted to increase the support's length by up to 22".

The extension is attached to the support using the eight metal screws provided. Be sure there is at least a **2" overlap** where the extension joins the support.



SE



Slope	X
0/12 - 2/12	3 1/2"
2/12 - 7/12	5 1/2"
7/12 - 12/12	6 3/4"
12/12 - 24/12	7 1/2"
24/12	12 1/2"

Table 6

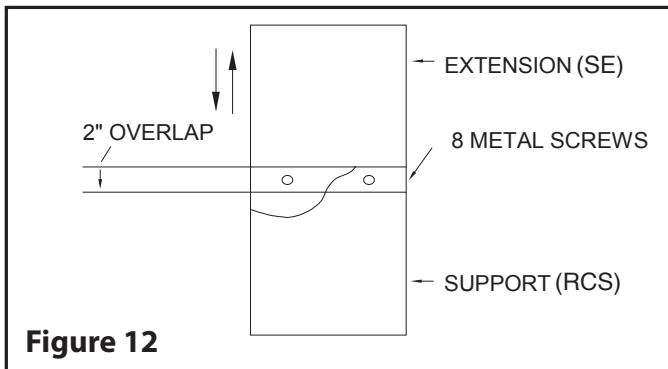


Figure 12

# 5

## OFFSET INSTALLATION

### OFFSET CHIMNEY

If it is necessary to offset the chimney in order for it to pass through an obstruction, do this by using 15°, 30°, or 45° insulated elbows. A maximum of two offsets (4 elbows in all) is allowed in a chimney.

The maximum length of unsupported offset chimney is 6'. If the offset chimney is longer than 6', then it must be supported at 6' intervals using an Offset Support (URES) or Wall Band (AWBU).

### INSTALLATION INSTRUCTIONS

Install the required support and the chimney as described in the support's installation instructions. When you reach the height at which the elbow will be installed, proceed as follows:

Step 1. Install the insulated offset elbow on the vertical chimney length. Turn it in the required direction and fasten it to the chimney with the (4) 1/2" metal screws provided.

Step 2. Place the required offset chimney length (see Table 7 below) on the elbow. Turn it clockwise to lock it in place.

Step 3. Use another elbow to turn the chimney vertically. Again secure the elbow to the chimney length using the (4) 1/2" metal screws provided.

Step 4. Install the remaining chimney as described in the instructions for the Roof Support.

### INSTALLATION CALCULATIONS

Determine the offset required in view of the obstacles that must be avoided (see Figure 13). Refer to Table 7 to determine the elbows required as well as the insulated length needed.

### OFFSET & RISE CHART MODEL DTP (6", 7", & 8")

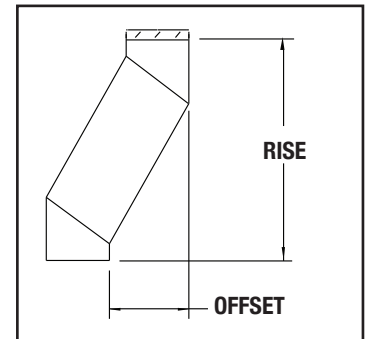
ANGLE	DIA.	INCHES	ONE LENGTH BETWEEN ELBOWS					
			8	12	18	24	36	48
15°	6" - 8"	Offset	3-5/16	4-5/16	5-7/8	7-7/16	10-1/2	13-5/8
		Rise	16	19-7/8	25-11/16	31-1/2	43-1/16	54-5/8
30°	6" - 8"	Offset	7-3/8	9-3/8	12-3/8	15-3/8	21-3/8	27-3/8
		Rise	20-11/16	24-3/16	29-3/8	34-9/16	44-15/16	55-5/16
45°	6" - 8"	Offset	10-11/16	13-1/2	17-3/4	22	30-7/16	38-15/16
		Rise	18-7/16	21-1/4	25-1/2	29-3/4	38-1/4	46-3/4

ANGLE	DIA.	INCHES	TWO LENGTHS BETWEEN ELBOWS					
			8 & 48	12 & 48	18 & 48	24 & 48	36 & 48	48 & 48
15°	6" - 8"	Offset	15-1/2	16-1/2	18-1/16	19-5/8	22-3/4	25-13/16
		Rise	61-7/16	65-1/4	71-1/16	76-7/8	88-1/2	100-1/16
30°	6" - 8"	Offset	30-7/8	32-7/8	35-7/8	38-7/8	44-7/8	50-7/8
		Rise	61-3/8	64-7/8	70-1/16	75-1/4	85-5/8	96
45°	6" - 8"	Offset	44-5/8	47-7/16	51-11/16	55-15/16	64-3/8	72-7/8
		Rise	52-3/8	55-1/4	59-7/16	63-11/16	72-3/16	80-11/16

Note: All dimensions are in inches.

Table 7



# 5

## OFFSET INSTALLATION CONT'D

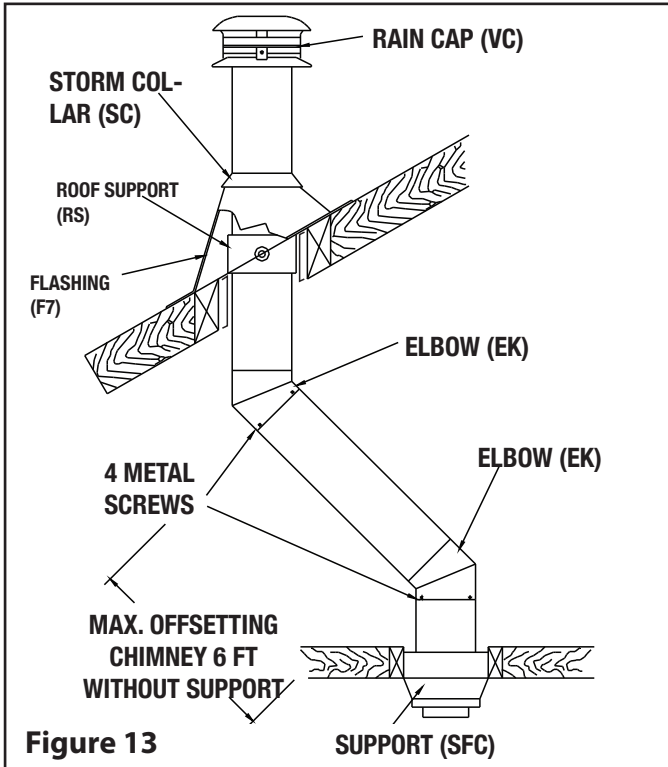


Figure 13



### WARNING

A support must always be installed right above each offset (two elbows) to support the chimney above the offset.

### ROOF SUPPORT (RS)

The Roof Support has three possible uses:

- It may be used to support a chimney from the roof. It adjusts to any roof pitch.
- It may be used on a floor, ceiling or roof above an offset to support the chimney above the offset.
- It may be used on a floor, ceiling or roof as a supplementary support when the chimney height exceeds that of the primary support.

### INSTALLATION INSTRUCTIONS

With the chimney extending through the hole in the roof, ceiling or floor and the proper radiation shield in place, proceed as follows:

Step 1. Assemble the support collar to fit your chimney diameter, as described on the instruction sheet supplied with the support.

Step 2. Slip the support down over the chimney length until its brackets rest on the roof or floor. Tighten the collar around the chimney.

Step 3. Center the chimney and nail or screw the support to the roof or floor using (8) - 2-1/2" nails or (8) N°. 8 - 1-1/4" wood screws.

Step 4. Install the remaining chimney lengths, until the required chimney height is reached.

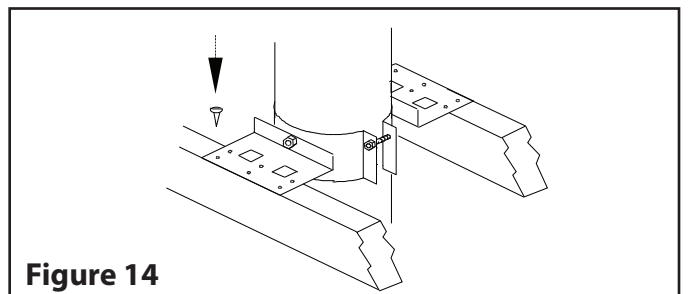


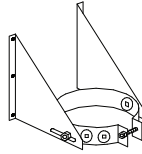
Figure 14

# 5

## OFFSET INSTALLATION (CONT'D)

### OFFSET/WALL SUPPORT (URES) (WS)

When a chimney offset is used to traverse a wall, this support may be used to support the chimney. The height of chimney supported is shown in supported height page 3.



### INSTALLATION INSTRUCTIONS

Install the support as follows (Figure 15):

Step 1. Assemble the support collar to fit your chimney diameter.

Step 2. Slip the support down over the chimney to a proper location.

Step 3. Tighten the collar around the chimney.

Step 4. Attach the support brackets to the wall using (8) 3" nails or (8) N°10 x 1-1/4" wood screws.

**NOTE:** Be sure that the support attaches to a solid wall and not merely to dry wall or aluminium siding.

Step 5. Continue installing the chimney according to these installation instructions.

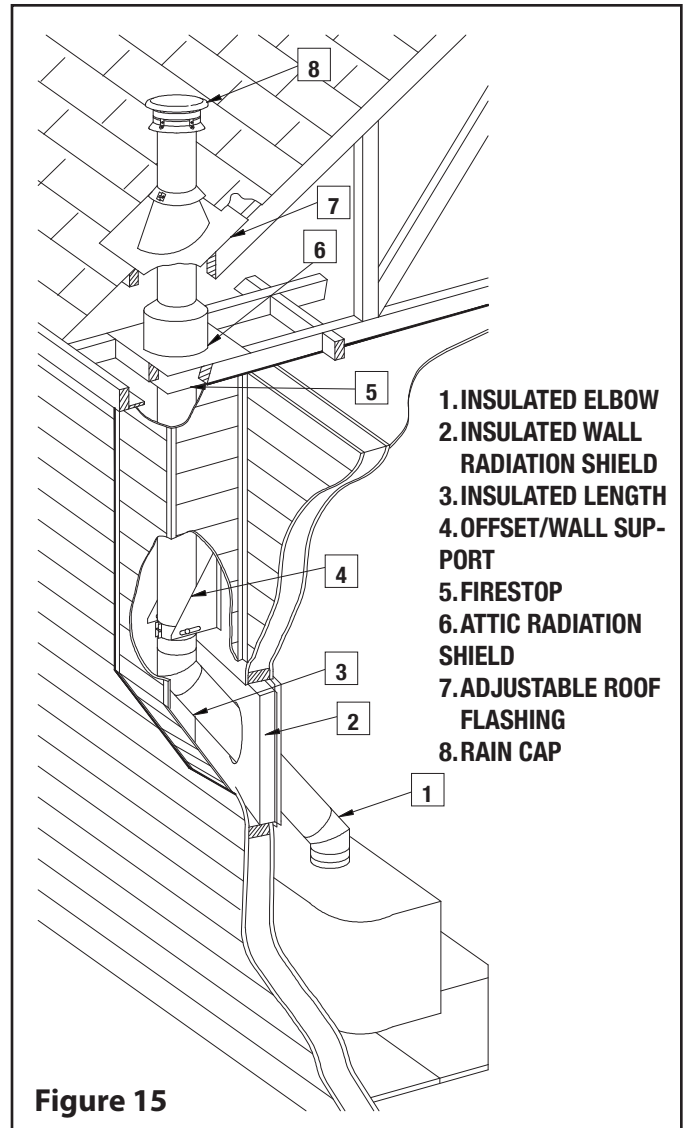


Figure 15

# 6

## EXTERIOR INSTALLATION

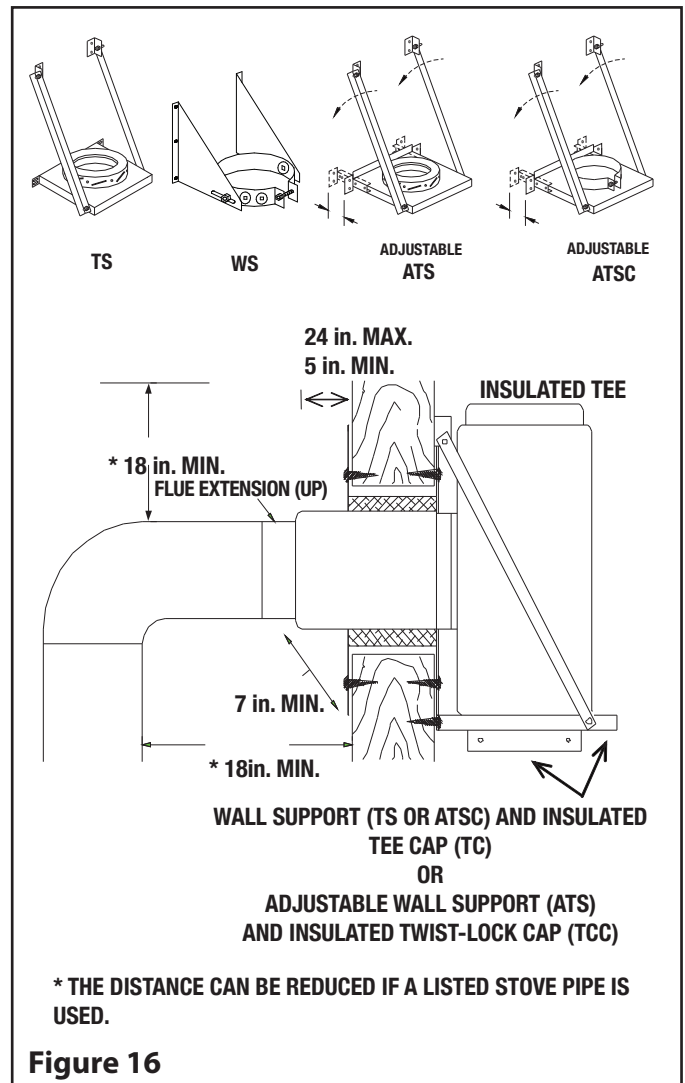
### TEE & WALL SUPPORT

Four wall supports are available, Three adjustable (ATS), (ATSC), (WS) and one non-adjustable (TS).

### INSTALLATION NOTES

If possible, install an interior chimney as it will provide better performance than an exterior chimney. In areas with continuous temperatures below -18°C (0°F), the use of an exterior chimney may result in operating problems such as poor draft, excessive condensation of combustion products and rapid accumulation of creosote when connected to a wood burning appliance. If you do install an exterior chimney, we recommend that you enclose it using an insulated enclosure.

1. The chimney may be enclosed or unenclosed. Maintain 2" clearance to combustible materials. Do not fill the 2" space around the chimney with insulation or any other material.
2. A Wall Band (ABMU) must be used to secure the chimney to the wall. Maximum distance between wall bands is 8 feet.
3. The adjustable supports (ATS) and (WS) may only be installed in conjunction with an insulated tee cap (TCC).
4. The adjustable supports (ATS) and (WS) can be installed either below or above the insulated tee.
5. The minimum length of chimney extending past the inside wall is 5".
6. The maximum length of chimney extending past the inside wall is 24".
7. The distance between the stove pipe and a parallel combustible wall or ceiling must not be less than 18". The distance between the horizontal stove pipe and the unshielded vertical wall through which it passes must not be less than 7".



8. If an exterior installation is to be enclosed, (see Figure 16) allow for access to base of tee to facilitate required cleaning.
9. The minimum distance between the bottom of the support and any horizontal combustible (including the ground) is 6". This distance can be reduced to 2" by using an insulated tee cap (TCC) in conjunction with a (ATS) or (WS) adjustable wall support.

## INSTALLATION INSTRUCTIONS

Step 1. Determine where the chimney will pass through the wall.

- For concrete walls cut a hole slightly larger than the chimney.
- For combustible walls cut and frame a hole 4" larger than the chimney, midway between the wall studs (see Table 8 below for sizing).

Normally wall studs are placed at 16" centers. With the hole midway between them, the support will fasten to these studs and thus ensure a strong attachment to the wall.

CHIMNEY SIZE	HOLE SIZE	
	COMBUSTIBLE	CONCRETE
6"	14" x 14"	10-1/4"
7"	15" x 15"	11-1/4"
8"	16" x 16"	12-1/4"

**Table 8**

Step 2. Wood walls: Place the exterior half of the Wall Thimble (WTI) in the opening from the outside. Fasten in place using (4) 2" nails or 1" screws. This Wall Thimble is adjustable from 7" to 12". Make sure the insulation pad is cut to the desired length according to the wall thickness. Wrap the insulation pad around the tube of the interior half of the Wall Thimble. Place the metal sheet around the insulation pad and join the locking tabs together. Place the interior half of the Wall Thimble inside the exterior half of the Wall Thimble.

Slide the large wall shield over the small wall shield. Using a level make sure that the hole for the chimney to pass through is horizontal. Screw the inner thimble in place with the provided screws. (*see Figure 19*).

**NOTE:** The cavity surrounding the radiation shield must be filled with insulation (see Figure 19).

Step 3. Attach the clean-out cap to the support's (TS or ATSC only) flue extension using the three (3) metal screws provided. Make sure that the screws have pierced through the flue extension. The cap is in the box with the insulated tee. **See Figure 16**. If an insulated tee cap is used, twist lock the tee cap to the tee (adjustable support ATS and WS only).

Step 4. The minimum length of insulated chimney required to pass through the wall will be thickness plus 7". The insulated chimney must extend at least 5" into the room beyond the finished wall. Insert this chimney length in the side branch of the insulated tee. Turn it clockwise to lock it in place. Seal this joint by wrapping it with the aluminium tape supplied with the tee. Mount the insulated tee on the support so that the chimney length which will go through the wall is perpendicular to the side of the support that will fasten to the wall.

**NOTE:** The supports (WS) can be installed above the tee. **See Figure 17**.

Step 5. This step will require 2 people: (See Figure 21).

Insert the chimney length of this tee-support assembly into the hole in the wall. Using a level, ensure the tee is vertical, then attach the support to the wall using (8) N°. 10 x 1 - 1/4" wood screws or 4" spiral nails.

**NOTE:** To provide sufficient strength, the nails must be driven into the wall studs. For concrete walls, the support should be attached using (8) 1/4" x 2" lag bolts.

Step 6. Attach the flue extension to the horizontal chimney length using the three (3) metal screws provided (*see Figure 21*).

Step 7. If the chimney passes through the a soffit, cut an opening large enough to provide 2" clearance between the chimney and the soffit. For flat soffits and for sloping soffits, see Table 2 on page 3. Install a Firestop on the underside.



# 6

## EXTERIOR INSTALLATION (CONT'D)

Step 8. Stack a chimney length on top of the tee.  
Turn it clockwise to lock it in place.

Step 9. Stack the next chimney length on the first length. Continue until the required chimney height is reached.

**NOTE:** At 8' intervals, attach the chimney to the wall using a Wall Band (AWBU).

**TO CONTINUE INSTALLATION**

**SEE ROOF FLASHING INSTALLATION, on page 6.**

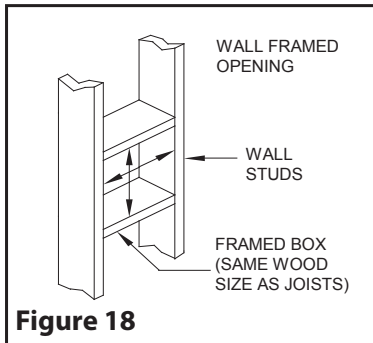


Figure 18

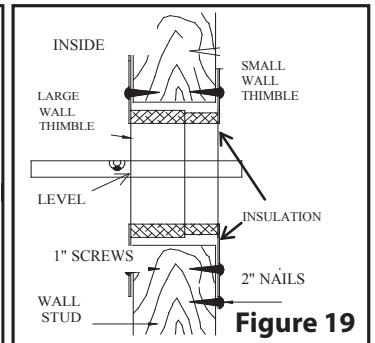


Figure 19

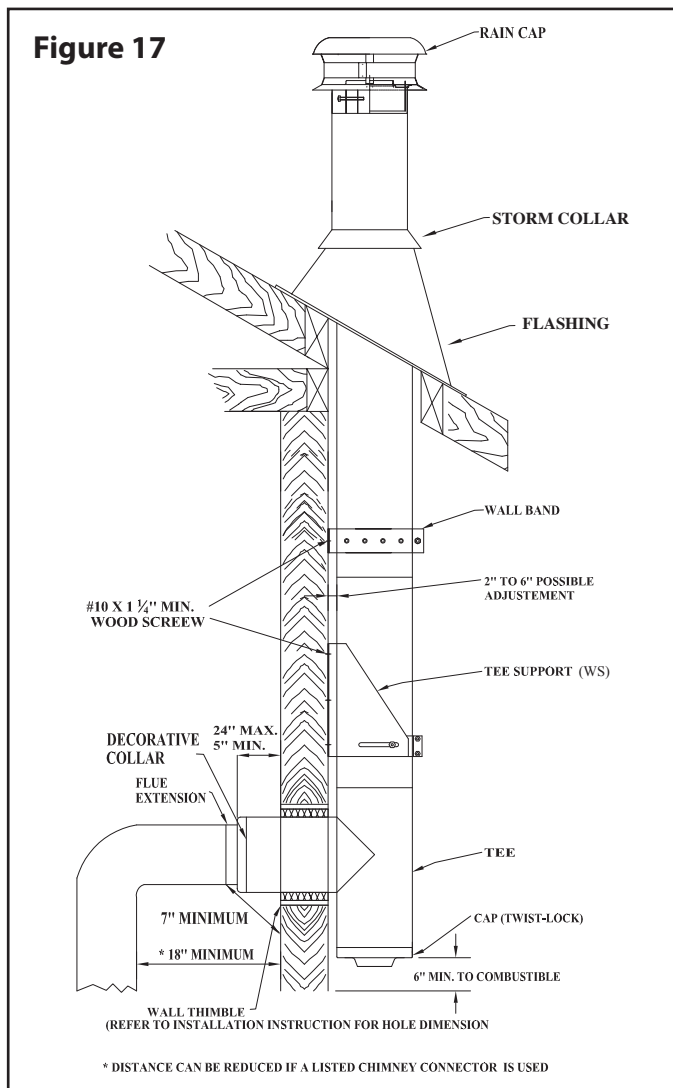
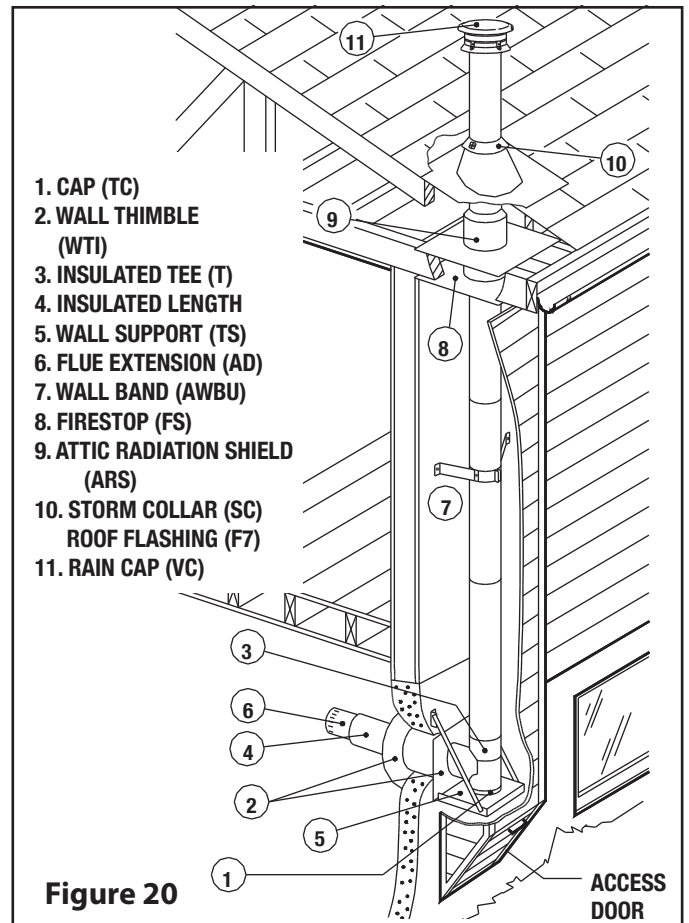


Figure 17



1. CAP (TC)
2. WALL THIMBLE (WTI)
3. INSULATED TEE (T)
4. INSULATED LENGTH
5. WALL SUPPORT (TS)
6. FLUE EXTENSION (AD)
7. WALL BAND (AWBU)
8. FIRESTOP (FS)
9. ATTIC RADIATION SHIELD (ARS)
10. STORM COLLAR (SC) ROOF FLASHING (F7)
11. RAIN CAP (VC)

Figure 20

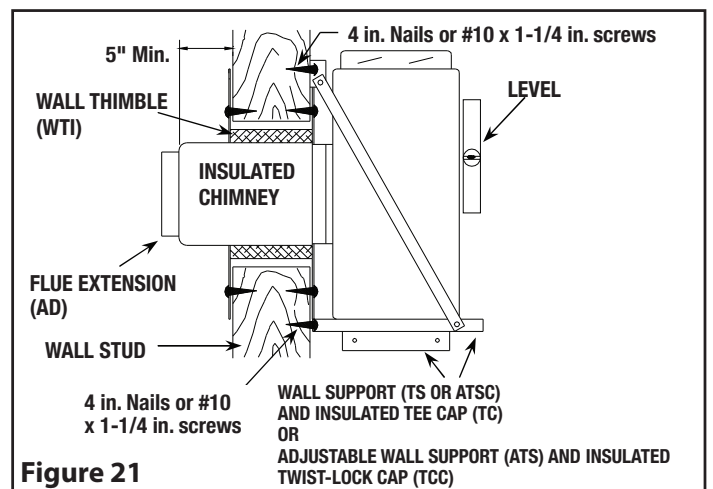


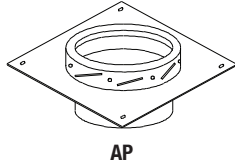
Figure 21

# 7

## SPECIALIZED COMPONENTS

### ANCHOR PLATE (AP)

This support is used on a Factory Built or masonry fireplace or on top of a furnace to provide a positive connection to the chimney. It is not to be used in contact with any combustible material, such as on a wood floor.



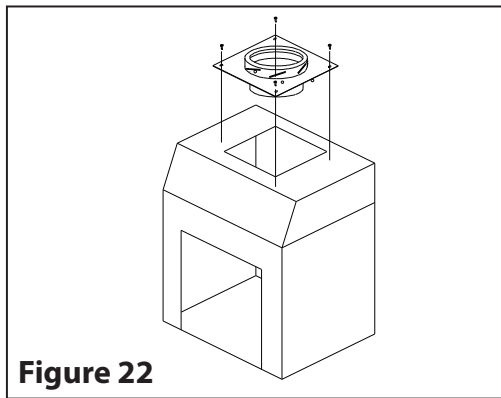
See **Figure 22**

### INSTALLATION INSTRUCTIONS

Once the appliance is installed, bolt the Anchor Plate (AP) to it. Install the chimney according to the installation instructions for the Finish Support (SFC).

### FACTORY-BUILT FIREPLACES

For chimneys installed on factory-built fireplaces, follow the installation instructions accompanying the fireplace.



**Figure 22**

### FIREPLACE INSULATED RADIATION SHIELDS

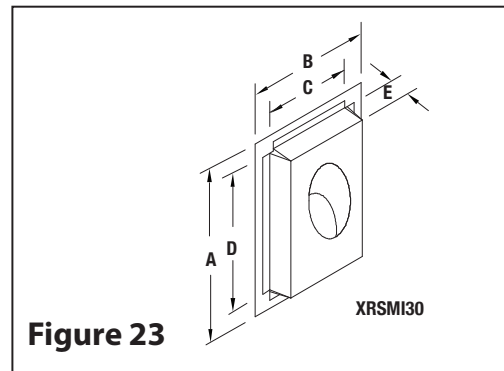
These are used only with wood-burning fireplaces which have been certified for use with DTP.

### ANGLED INSULATED RADIATION SHIELD (WRSI30)

It has been designed for use when a chimney passes through a wall at an angle. See **Table 9 & Figure 23**

Ø INT.	FRAMING SIZE	
	WRSI30	
	7"	8"
A	41-1/4	43-5/16
B	18-3/8	19-3/8
C	36-3/4	38-13/16
D	13-7/8	14-7/8
E	3	3

**Table 9**



**Figure 23**

Note: All dimensions are in inches.

**NOTE: DIAGRAMS & ILLUSTRATIONS ARE NOT TO SCALE.**

## DuraVent Limited Lifetime Warranty

M&G DuraVent, Inc. (“DuraVent”) provides this limited lifetime warranty for all of its products with the exception of Ventinox® (lifetime), and PolyPro® (ten years). Subject to the limitations set forth below, DuraVent warrants that its products will be free from defects in material or manufacturing, if properly installed, maintained and used. DuraVent products are fully warranted if installed only by a professional installer. This Warranty is transferable from the original homeowner to the buyer of the home. This warranty does not cover normal wear and tear, smoke damage or damage caused by chimney fires, acts of God, or any product that was: (1) purchased other than from an authorized DuraVent dealer, retailer or distributor; (2) modified or altered; (3) improperly serviced, inspected or cleaned; or (4) subject to negligence or any use not in accordance with the installation instructions included with the product as determined by DuraVent. Installation instructions are available online at [www.duravent.com](http://www.duravent.com) under Support/Literature and through our Customer Service Department 800-835-4429 or [customerservice@duravent.com](mailto:customerservice@duravent.com). This limited lifetime warranty applies only to parts manufactured by DuraVent.

DuraVent provides the following warranties for its products: One Hundred Percent (100%) MSRP 15 years from the date of purchase, and Fifty Percent (50%) thereafter, except for the following limitations on: all Termination Caps and DuraBlack® are warranted at One Hundred Percent (100%) for five years.

All warranty obligations of DuraVent shall be limited to repair or replacement of the defective product pursuant to the terms and conditions applicable to each product line. These remedies shall constitute DuraVent’s sole obligation and sole remedy under this warranty. This warranty provides no cash surrender value. The terms and conditions of this warranty may not be modified, altered or waived by any action, inaction or representation, whether oral or in writing, except upon the express, written authority of an executive officer of DuraVent.

Corn, bio-fuels, driftwood or other wood containing salt, preservative-treated lumber, plastic and household trash or garbage, or wood pellets containing such materials must not be burned in the appliance or fireplace. In case of a chimney fire, the chimney must be inspected and approved by a certified Chimney Sweep before reuse. After each annual inspection, maintenance, and cleaning, the certified Chimney Sweep must fill out and date the appropriate section of the warranty card provided with the chimney liner.

LIMITATIONS ON INTERNET SALES: Notwithstanding any other terms or conditions of this Limited Lifetime Warranty, DuraVent provides no warranty for the following specific products if such products are not installed by a qualified professional installer: DuraTech®, DuraTech® DTC, DuraTech® Premium, DuraPlus HTC®, DuraChimney® II, PelletVent Pro®, DirectVent Pro®, FasNSeal®, FasNSeal® W2, FasNSeal® Flex,

and PolyPro®, and DuraVent’s relining products including DuraLiner®, DuraFlex® (SW, Pro, 316, 304), and Ventinox®. For purposes of this warranty, a trained professional installer is defined as one of the following: licensed contractors with prior chimney installation experience, CSIA Certified Chimney Sweeps, NFI Certified Specialists, or WETT Certified Professionals.

DuraVent must be notified and given the opportunity to inspect defective product prior to replacement under the terms of this limited lifetime warranty. All warranty claims must be submitted with proof of purchase. Labor and installation costs are not covered under this warranty. To obtain warranty service contact: DuraVent Warranty Service, 877 Cotting Ct., Vacaville CA 95688, or call 800-835-4429.

WHERE LAWFUL, DURAVENT DISCLAIMS ALL OTHER WARRANTIES, INCLUDING BUT NOT LIMITED TO IMPLIED WARRANTIES OF MERCHANTABILITY AND FITNESS FOR A PARTICULAR PURPOSE. IN NO EVENT WILL DURAVENT BE LIABLE FOR INCIDENTAL, CONSEQUENTIAL, PUNITIVE OR SPECIAL DAMAGES OR DIRECT OR INDIRECT LOSS OF ANY KIND, INCLUDING BUT NOT LIMITED TO PROPERTY DAMAGE AND PERSONAL INJURY. DURAVENT’S ENTIRE LIABILITY IS LIMITED TO THE PURCHASE PRICE OF THIS PRODUCT. SOME STATES DO NOT ALLOW LIMITATIONS ON IMPLIED WARRANTIES, OR THE EXCLUSION OR LIMITATION OF INCIDENTAL OR CONSEQUENTIAL DAMAGES, SO THE ABOVE LIMITATIONS AND EXCLUSIONS MAY NOT APPLY TO YOU. THIS LIMITED WARRANTY GIVES YOU SPECIFIC LEGAL RIGHTS, AND YOU MAY ALSO HAVE OTHER RIGHTS THAT VARY FROM STATE TO STATE.

For the most up-to-date installation instructions, see [www.duravent.com](http://www.duravent.com)

REV 11.28.17

Manufactured in Vacaville CA

## WARRANTY

This product has a limited lifetime warranty. Please read the warranty to be familiar with its coverage.

Retain this manual. File it with your other documents for future reference.

## PRODUCT REFERENCE INFORMATION

Please contact DuraVent for the phone number of your nearest DuraVent dealer who will answer your questions or address your concerns.

Normally, all parts should be ordered through your DuraVent distributor or dealer. Parts will be shipped at prevailing prices at time of order.

When ordering repair parts, always give the following information:

1. The model number of the vent system.
2. The part number.
3. The description of the part.
4. The quantity required.
5. The installation date of the chimney system.

If you encounter any problems or have any questions concerning the installation or application of this system, please contact your dealer.

### **DuraVent**

877 Cotting Court, Vacaville, CA 95688

800-835-4429

Visit us at [www.Duravent.com](http://www.Duravent.com)

# DuraVent®

877 Cotting Court, Vacaville, CA 95688

800-835-4429; [www.DuraVent.com](http://www.DuraVent.com)

---

DuraVent reserves the right to make changes at any time, without notice,  
in design, materials, specifications, prices.

Consult your local distributor for chimney system code information.

Printed in Canada © 2010, 2017

PIDURAPREMIUM REV.1 01/2018