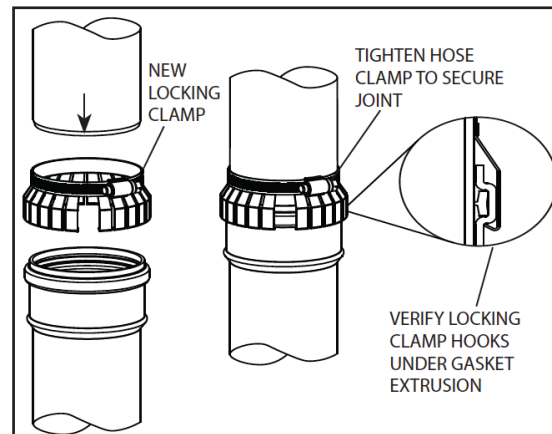
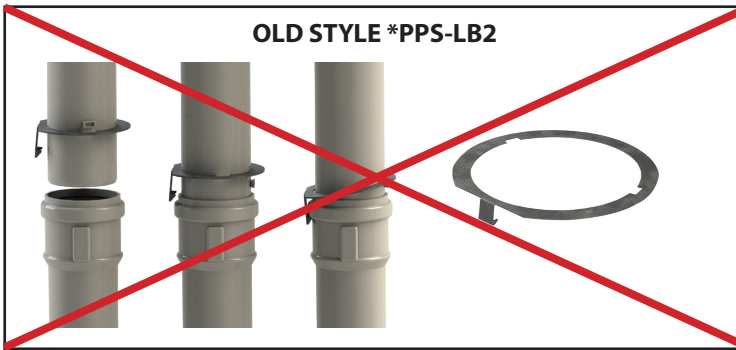


A Newly Designed PolyPro Locking Clamp

The PolyPro **Locking Band (LB2)** has been replaced by the newly designed **PolyPro Locking Clamp (LC)**. Please refer to our catalog for a complete list of updated part numbers and to our installation instructions for updated information on the new Locking Clamp.

NEW FEATURES:

- **Preinstalled on the female end for quick connection**
- **Stronger joint connection**
- **Compatible with currently installed product and cut PolyPro lengths**
- **Unlike like PVC there is no glue needed and the connection only requires tightening of the clamp**



For current pricing and availability, please call customer service at (800) 835-4429.

Information published in all DuraVent bulletins is current at time of publication and is subject to change without notice.