

duraventTM

DuraTech[®] Premium

High Temperature, 2" Insulated Double-Wall,
All-Fuel Chimney System

ULC S629, UL 103HT

ONLY AVAILABLE IN CANADA



AV

At DuraVent, we have been manufacturing chimney since 1956

That makes us one of the oldest manufacturers of venting products in North America.

DuraTech Premium pays homage to that history. This professional-grade chimney is based on a proven design first introduced in 1984.

Refinements to accommodate changes in home construction methods combined with its heavy weight and thick insulation have quickly made it a favourite in some of North America's coldest climates.

Demanding homeowners in these regions depend on their solid-fuel appliances to run around the clock.

They want a chimney that will be just as dependable.

That is exactly they choose DuraTech Premium.



DuraTech Premium Features & Benefits

FEATURES	BENEFITS
Proven engineered design with inner flue and outer casing both made of sturdy, high-quality, corrosion-resistant stainless steel	<ul style="list-style-type: none"> • Long, dependable service life means this will be the last chimney your home will ever need
Free-Floating stainless inner flue	<ul style="list-style-type: none"> • Flue is fixed only to male coupler on one end leaving it free to accommodate thermal expansion & contraction • Minimizes risk of metal fatigue and associated buckling / tearing that can occur with use; especially during chimney fires
Laser-Welded Inner and Outer Seams	<ul style="list-style-type: none"> • Enhances vertical strength • Eliminates potential source of leakage • Improves product quality & consistency
Twist-Lock Assembly with End Couplers	<ul style="list-style-type: none"> • Enables quick connection of pipe lengths in seconds with just a 1/8th turn • Eliminates need for awkward locking bands • Multi-point contact between couplers combined with generous overlap adds cross-sectional strength and reliable joint connection
Heavy-Duty Ceiling Supports with Integrated Coupler & Flue Extension	<ul style="list-style-type: none"> • Factory-assembled as a single part to minimize air leakage around chimney • Reduces number of parts needed and simplifies installation
Two-inch wall thickness filled with exclusive mineral wool insulation that will not shift or settle	<ul style="list-style-type: none"> • Acts like a heavy coat to keep the heat in and the cold out (example: DTP's 6-inch diameter weighs-in at 8.9 lbs. per linear foot) • Maximizes flue-gas temperatures for faster start-ups • Results in stable, powerful draft performance with EPA Certified stoves & fireplaces including catalytic appliances • Minimizes condensation leading to lower accumulations of creosote – the fuel that feeds a chimney fire • Eliminates risk of hot-spots that can occur with entry-level chimney products • Low surface temperature on outer casing
Wide variety of insulated components and vapor-barrier friendly designs to match today's high-efficient homes	<ul style="list-style-type: none"> • Keeps heating dollars in the home instead of being lost through walls & ceilings • Taller shields to suit deeper attic insulation levels • Ability to seal around chimney minimizes potential air leakage • Reduces risk of severe condensation in cold climates • Helps to prevent water damage within exterior walls and within ceiling / roof assemblies
Universal Support Hardware	<ul style="list-style-type: none"> • Roof Brace, Roof Support, Wall Support, and Wall Band all feature universal collar that can be sized to fit any diameter of DTP pipe
Industry's BEST Limited Lifetime Warranty	<ul style="list-style-type: none"> • Unlike most others, our warranty is TRANSFERABLE to a future owner (competitor warranties are good only to the original purchaser) • Adds value for both the homeowner and prospective homeowner

Specifications

Applications

DuraTech Premium is a double-wall, all fuel chimney system for use with wood stoves; fireplaces; and appliances burning wood, oil, gas, or coal.

Materials and Construction

2" of Mineral Fiber insulation encased between inner and outer walls of .016" Stainless Steel.
Laser welded seam.

Clearances

2" clearance to combustibles.

Diameters

6", 7", 8"

Listings

Listed to UL 103HT and ULC S629 by Intertek.



ULC S629 and UL 103HT System

DuraTech Premium

DuraTech Premium's twist-lock feature allows you to assemble DuraTech Premium quickly and precisely without the need for locking bands.

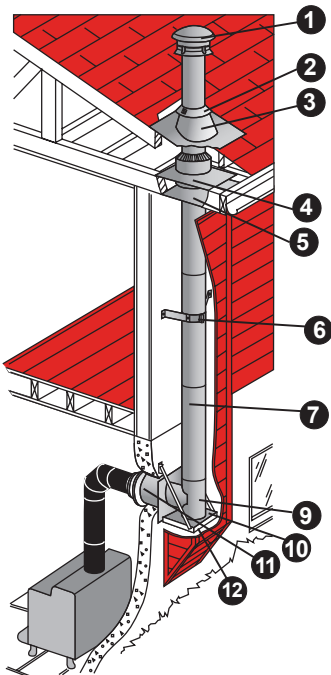
Designed for normal, continuous operation up to 1200°F (650°C) flue gas temperatures. DuraTech Premium meets the rigorous and stringent requirements of the ULC S629 standard, including one hour at 1700°F (925°C), plus three thirty minute chimney fire tests at 2100°F (1150°C).



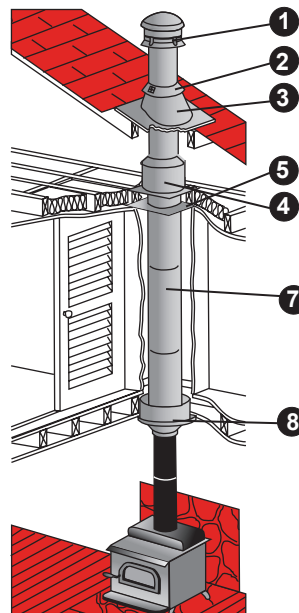
Typical Installations

- Refer to our Typical Venting Installation drawings to select the appropriate component parts for your installation.
- In through-wall installations, a Wall Thimble and appropriate length of pipe must be used if wall is constructed or faced with combustible materials.
- DTP Reduced Clearance Ceiling Supports feature an integrated Attic Radiation Shield. It can be used in all installations that pass through an attic, regardless of whether the attic is insulated or not. Note: For Multi-Story applications, an Attic Radiation Shield and Firestop must be used separately.
- A Firestop must be used when a chimney passes through any ceiling not protected by a factory ceiling support.

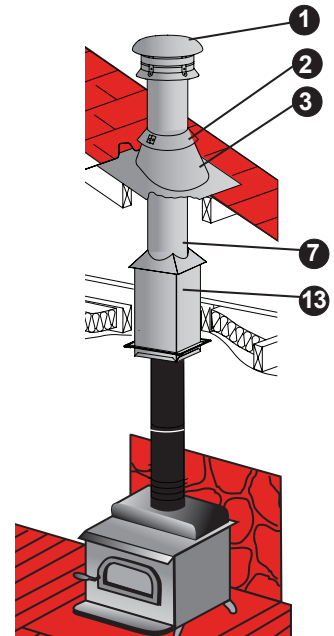
Installation Key			
1	Rain Cap	7	Length
2	Storm Collar	8	Round Finishing Support
3	Adjustable Roof Flashing	9	Insulated Tee
4	Attic Radiation Shield	10	Tee Support
5	Firestop	11	Wall Thimble
6	Wall Band	12	Twist-Lock Tee Cap (Clean-out)
		13	Reduced Clearance Support



Exterior installation to a wood stove



Multi-story Woodstove



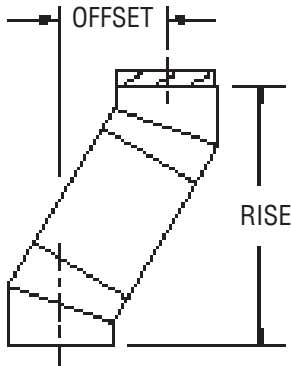
Single-Story Woodstove

For guidance in selecting stovepipe components, see our catalogs for Duravent's DVL, DDW, or DuraBlack stovepipe.

Offset and rise calculation

The following steps will help determine the lengths required for an installation:

1. Determine the offset required in view of the obstacles that must be avoided.
2. Refer to the "Offset/Rise Chart" to determine the elbows required as well as the insulated lengths needed.
3. Check the corresponding offset height dimensions.



ELBOW OFFSET & RISE CHART

One length between elbows									
Angle	Dia.		8"	12"	18"	24"	36"	48"	
15°	6", 7", 8"	Offset	3-5/16"	4-5/16"	5-7/8"	7-7/16"	10-1/2"	13-5/8"	
		Rise	16"	19-7/8"	25-11/16"	31-1/2"	43-1/16"	54-5/8"	
		Two lengths between elbows							
			8" & 48"	12" & 48"	18" & 48"	24" & 48"	36" & 48"	48" & 48"	
30°	6", 7", 8"	Offset	15-1/2"	16-1/2"	18-1/16"	19-5/8"	22-3/4"	25-13/16"	
		Rise	61-7/16"	65-1/4"	71-1/16"	76-7/8"	88-1/2"	100-1/16"	
		Two lengths between elbows							
			8" & 48"	12" & 48"	18" & 48"	24" & 48"	36" & 48"	48" & 48"	
45°	6", 7", 8"	Offset	30-7/8"	32-7/8"	35-7/8"	38-7/8"	44-7/8"	50-7/8"	
		Rise	61-3/8"	64-7/8"	70-1/16"	75-1/4"	85-5/8"	96"	
		Two lengths between elbows							
			8" & 48"	12" & 48"	18" & 48"	24" & 48"	36" & 48"	48" & 48"	
Angle	Dia.		8"	12"	18"	24"	36"	48"	
		Offset	7-3/8"	9-3/8"	12-3/8"	15-3/8"	21-3/8"	27-3/8"	
		Rise	20-11/16"	24-3/16"	29-3/8"	34-9/16"	44-15/16"	55-5/16"	
		Offset	10-5/16"	13-3/16"	17-3/8"	21-5/8"	30-1/8"	38-5/8"	
45°	6", 7", 8"	Rise	17-13/16"	20-5/8"	24-7/8"	29-1/8"	37-5/8"	46-1/8"	
		Two lengths between elbows							
			8" & 48"	12" & 48"	18" & 48"	24" & 48"	36" & 48"	48" & 48"	
		Offset	43-7/16"	46-1/4"	50-1/2"	54-3/4"	63-1/4"	71-11/16"	
45°	6", 7", 8"	Rise	50-15/16"	53-3/4"	58"	62-1/4"	70-3/4"	79-3/16"	

LOADBEARING CAPACITY

Ø int.	Maximum height		
	6"	7"	8"
Offset/Wall Support	24'	22'	20'
Adjust. Wall/Tee Support	30'	28'	26'
Roof Support	20'	18'	16'
Sq. Cathedral Support	30'	28'	26'
Finish Support	30'	28'	26'
Reduced Clearance Support	30'	28'	26'

SIZE OF OPENINGS*

Ø int.	Hole size (framing)		
	6"	7"	8"
Roof Support	14-1/8"	15-1/8"	16-1/8"
Attic Radiation Shield	14-1/8"	15-1/8"	16-1/8"
Sq. Cathedral Support	14-3/8"	14-3/8"	14-3/8"
Finish Support	14-3/8"	14-3/8"	14-3/8"
Reduced Clearance Support	12-1/8"	13-1/8"	14-1/8"
Pass- Through Radiation Shield	14-1/8"	15-1/8"	16-1/8"
Wall Thimble	14-1/8"	15-1/8"	16-1/8"

Temperature Rating

650° C (1200°F)

925° C (1700°F)

1150° C (2100°F)

Period of Operation

Max. continuous

Brief forced fired

3 x 30 minutes, tested

DTP GENERAL SPECIFICATIONS

Ø int.	Ø ext.	Insulation thickness	Weight lb./ft.*	Twist-Lock assembly	Clearance to combustible
6"	10"	2"	8.9	YES	2"
7"	11"	2"	9.9	YES	2"
8"	12"	2"	10.9	YES	2"

Planning Your Installation

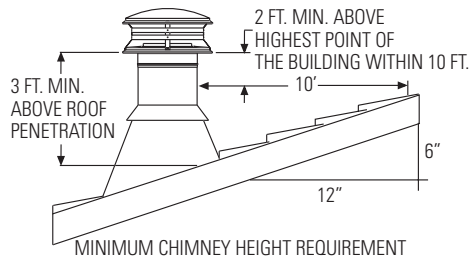


Figure 1

The following recommendations are a general guideline to assist in the layout and selection of the chimney components needed for your installation. Always follow DuraVent Installation instructions when installing your chimney system (enclosed with any support). Installation instructions can be viewed online at www.duravent.com.

- The diameter of the chimney should match the outlet size of the appliance. An improperly sized chimney results in poor draft and excessive creosote formation.
- Measure the diameter of the appliance flue outlet. Select the chimney and either DVL, DDW, or DuraBlack connector stovepipe with the same size diameter as the appliance flue outlet.
- Determine if the installation is a through-the-roof installation or a through-the-wall installation. A through-the-wall installation will require additional components (Wall Thimble, Tee/Cap, Tee Support, Wall Bands, Flue Extension, and Decorative Collar).
- Install the chimney in the interior of the structure whenever possible. A cold exterior chimney will produce less draft and will generate more creosote.
- If possible avoid offsets that serve to restrict the natural draft. A straight vertical installation is more efficient and less likely to develop creosote. If an offset is required to avoid rafters or other obstructions, measure the horizontal distance required and the vertical height available. 15°, 30° and 45° elbows are available. (Note: 45° elbows are only allowed in Canada. The maximum angle allowed in the U.S. is 30°.) A maximum of two offsets (four elbows) in a single installation are permitted. At least one suitable support if required for each offset.
- Determine the minimum chimney height above the roof line. Building codes require a minimum of 3' above the roof penetration and at least 2' higher than any portion of a building within 10'. See Figure 1. The termination cap is installed above that point. If chimney is more than 5' above the roof penetration a Roof Brace is required.
- Measure the roof pitch. For example, a 6/12 pitch has a vertical rise of 6" over a horizontal distance of 12". Select the appropriate flashing.
- Determine the total length of chimney and stovepipe required for the installation. To calculate the installed length of 6"-8" DuraTech Premium chimney pipe, subtract 1" per joint. Subtract 1 1/4" per joint of DuraBlack stovepipe. Subtract 3/4" per joint of DVL or 1 7/8" of DDW stovepipe. Minimum chimney height, at sea level, of straight vertical chimney, is 10' to 15' above the appliance outlet. Higher elevations, or the use of elbows or a tee, will require approximately 30% to 60% more height to provide for an adequate draft.
- Be fire safe. Maintain at least 2" clearance to combustibles. Follow local building codes and have your chimney inspected by a certified professional.

Wall Support Kit



Through-Wall Option #1: Kit includes: Insulated Wall Thimble, Tee, Twist-Lock Tee Cap, Wall Support, Wall Band, Flue Extension, Decorative Collars for both DVL and DDW stove pipe, and Rain Cap.

With this option, Tee can be positioned above or below Wall Support.

SIZE	6"
ORDER #	6DTP-WSK-2

Exterior Installation Kit



Through-Wall Option #2: Kit includes: Insulated Wall Thimble, Tee, Twist-Lock Tee Cap, Tee Support with Coupler, Wall Band, Flue Extension, Decorative Collars for both DVL and DDW stove pipe, Rain Cap, and Spark Arrester.

With this option, Tee is positioned on top of Tee Support.

SIZE	6"
ORDER #	6DTP-EK-2

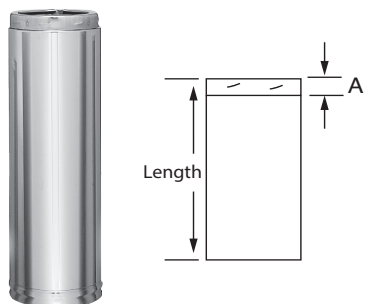
Interior Installation Kit



Kit includes: Round Finishing Support, Adjustable Attic Radiation Shield, and Rain Cap.

SIZE	6"
ORDER #	6DTP-IK-2

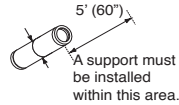
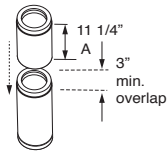
Chimney Length



Stainless steel inner and outer walls. Available in 8", 12", 18", 24", 36", 48" lengths.

SIZE	6"	7"	8"
	ORDER #	ORDER #	ORDER #
A	1"		
8"	6DTP-08	7DTP-08	8DTP-08
12"	6DTP-12	7DTP-12	8DTP-12
18"	6DTP-18	7DTP-18	8DTP-18
24"	6DTP-24	7DTP-24	8DTP-24
36"	6DTP-36	7DTP-36	8DTP-36
48"	6DTP-48	7DTP-48	8DTP-48

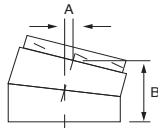
Adjustable Length



Used in combination with straight insulated lengths, the adjustable length makes it possible to fit a length perfectly, either vertically, horizontally, or at an angle. **IMPORTANT:** The adjustable length is not designed as a load bearing component. Its vertical installation requires an appropriate support on the section above it to bear the weight of the remaining installation.

SIZE	6"	7"	8"
A	11 1/4"	11 1/4"	11 1/4"
ORDER #	6DTP-ADJ	7DTP-ADJ	8DTP-ADJ

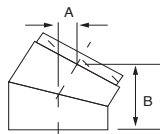
15° Insulated Elbow



Allows the 15° offset of a chimney. Designed to bypass an obstacle, such as a joist. A maximum of two offsets (4 elbows) is allowed.

SIZE	6"	7"	8"
A	5/8"	5/8"	5/8"
B	4 3/4"	4 3/4"	4 3/4"
ORDER #	6DTP-15E	7DTP-15E	8DTP-15E

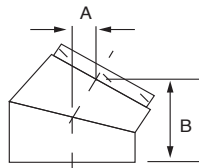
30° Insulated Elbow



Allows the 30° offset of a chimney. Designed to bypass an obstacle, such as a joist. A maximum of two offsets (4 elbows) is allowed.

SIZE	6"	7"	8"
A	1 15/16"	1 15/16"	1 15/16"
B	7 5/16"	7 5/16"	7 5/16"
ORDER #	6DTP-30E	7DTP-30E	8DTP-30E

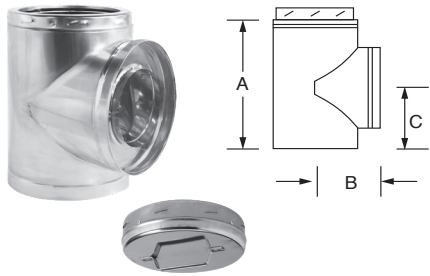
45° Insulated Elbow



Allows the 45° offset of a chimney. Designed to bypass an obstacle, such as a joist. A maximum of two offsets (4 elbows) is allowed. The chimney's angle of inclination must not deviate more than 45° from the vertical position.

SIZE	6"	7"	8"
A	3"	3"	3"
B	6 7/8"	6 7/8"	6 7/8"
ORDER #	6DTP-45E	7DTP-45E	8DTP-45E

Insulated Tee



Located at the base of the chimney, it provides the horizontal connection to the appliance. An insulated Tee Cap (TCI) is included.

SIZE	6"	7"	8"
A	13"	14"	15"
B	7"	7 1/4"	8"
C	7"	7 1/2"	8"
ORDER #	6DTP-T-2	7DTP-T-2	8DTP-T-2

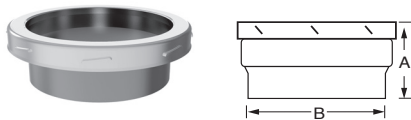
Twist-Lock Tee Cap



The twist-lock cap makes inspection access and servicing easy.

SIZE	6"	7"	8"
ORDER #	6DTP-TCI	7DTP-TCI	8DTP-TCI

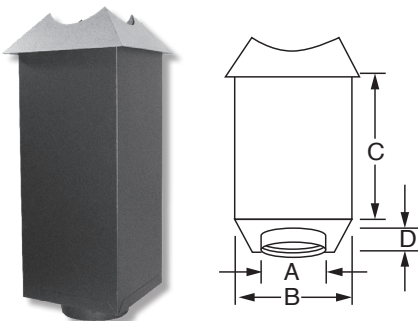
Flue Extension



Used to make the transition from insulated chimney to stovepipe in a through-the-wall installation. Refer to installation instructions for more details.

SIZE	6"	7"	8"
A	3"	3"	3"
B	5 7/8"	6 7/8"	7 7/8"
ORDER #	6DTP-CA	7DTP-CA	8DTP-CA

Insulated Reduced Clearance Square Support

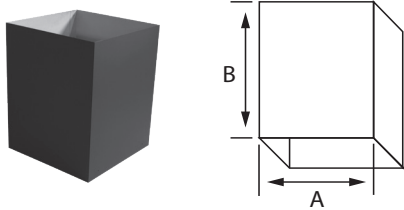


Use with flat, vaulted, or cathedral ceilings. Support can also double as a Attic Radiation Shield. Includes square-to-round collar shown, batt of factory insulation, and black finish trim. Integrated flue extension accepts either single-wall or double-wall stovepipe.

Note: Reduced clearance applies only to portion of chimney protected by the support box (and extension). Above, clearances-to-combustibles remain at 2".

SIZE	6"	7"	8"
A	6"	7"	8"
B	12"	13"	14"
C	24"	24"	24"
D	2"	2"	2"
ORDER #	6DTP-RCS	7DTP-RCS	8DTP-RCS

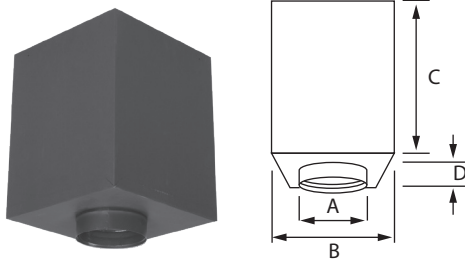
Reduced Clearance Square Support Extension



This part is designed to extend the height of the Insulated Reduced Clearance Support by up to 22".

SIZE	6"	7"	8"
A	12"	13"	14"
B	24"	24"	24"
ORDER #	6DTP-SE	7DTP-SE	8DTP-SE

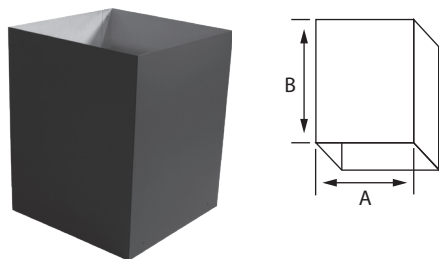
Square Cathedral Ceiling Support



For use with vaulted or cathedral ceilings. Box fits between standard 16"-on-center joist spacing. Integrated flue extension accepts either single-wall or double-wall stovepipe. Includes black finish trim.

SIZE	6"	7"	8"
A	6"	7"	8"
B	14 3/8"	14 3/8"	14 3/8"
C	24"		
D	2"		
ORDER #	6DTP-CS24	7DTP-CS24	8DTP-CS24

Square Cathedral Ceiling Support Extension



Use to extend the height of the Cathedral Support by up to 22".

SIZE	6"	7"	8"
A	14 3/8"	14 3/8"	14 3/8"
B	24"		
ORDER #	CSE24		

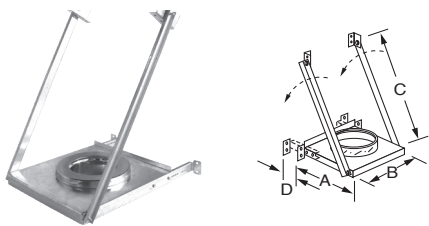
Round Finishing Support



Round support for use with flat ceilings. Fits in frame built within 16"-on-center joists. Integrated flue extension accepts either single-wall or double-wall stovepipe.

SIZE	6"	7"	8"
A	14 3/8"	14 3/8"	14 3/8"
B	6"	7"	8"
C	20"	20"	20"
D	5 1/2"	5 1/2"	5 1/2"
E	3"	3"	3"
F	2"	2"	2"
ORDER #	6DTP-SFC	7DTP-SFC	8DTP-SFC

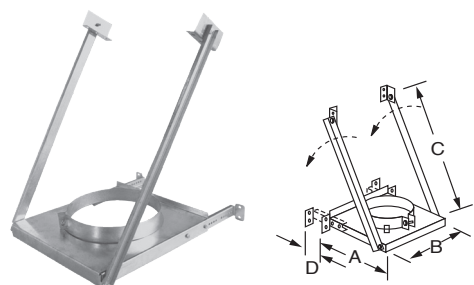
Adjustable Tee Support with Coupler



Use to support insulated tee on though-wall chimney installation. Access for inspection and service is incorporated from the underside of this support. Adjustable arms and sliding base plate are factory-set to ensure minimum clearance of 2". Allows for 2" - 7" clearance to combustibles.

SIZE	6"	7"	8"
A	15 1/2"	15 1/2"	15 1/2"
B	15"	15"	15"
C	26 3/4"	26 3/4"	26 3/4"
D	0 to 5"	0 to 5"	0 to 5"
ORDER #	6DTP-ATSC-2	7DTP-ATSC-2	8DTP-ATSC-2

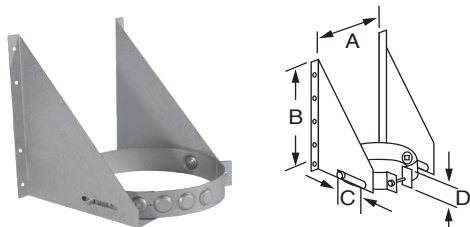
Adjustable Tee Support with Collar



Use to support insulated tee on though-wall chimney installation. For installation versatility and convenience, tee can be placed above or below the support. Can also be used as a wall support or re-support. Adjustable arms and sliding base plate are factory-set to ensure minimum clearance of 2". Allows for 2" - 8" clearance to combustibles.

SIZE	6"	7"	8"
A	15 1/2"	15 1/2"	15 1/2"
B	15"	15"	15"
C	26 3/4"	26 3/4"	26 3/4"
D	0 to 5"	0 to 5"	0 to 5"
ORDER #	6DTP-ATS	7DTP-ATS	8DTP-ATS

Offset/Wall Support (UNIVERSAL)

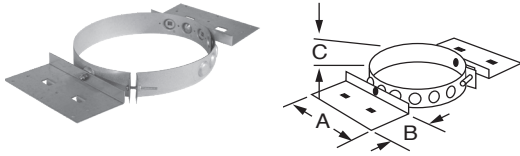


Adjustable collar works with 6", 7", or 8" pipe. Factory-set to ensure minimum 2" clearance. Horizontal adjustment slot allows for up to 4" of clearance. Can be used as a wall support, offset support, or tee support.

SIZE	6"	7"	8"
A	10 3/8"	11 3/8"	12 3/8"
B	12"		
C	2"		
D	2"		
ORDER #	DTP-URES-2		

Roof Support

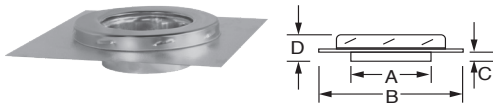
(UNIVERSAL)



Typically used to support a chimney at the roof-deck. The mounting brackets swivel to suit any pitch. Adjustable collar works with 6", 7", or 8" pipe. Can also be used as supplemental support. Refer to instructions for more details.

SIZE	6"	7"	8"
A	8"	8"	8"
B	4"	4"	4"
C	2"	2"	2"
ORDER #	DTP-RS		

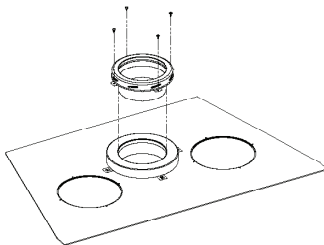
Anchor Plate



Attach to the top of a fireplace or other approved appliance to enable proper connection of the chimney.

SIZE	6"	7"	8"
A	6"	6"	6"
B	14"	14"	14"
C	2"	2"	2"
D	3"	3"	3"
ORDER #	6DTP-AP	7DTP-AP	8DTP-AP

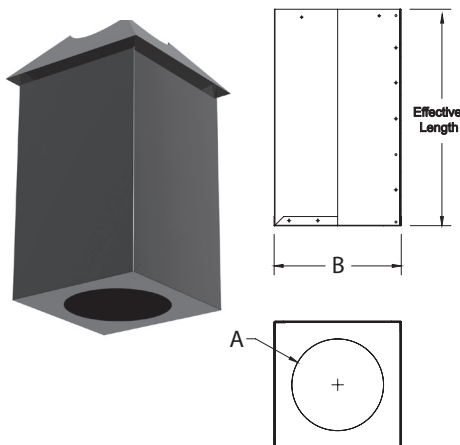
IHP Adapter



Adapts IHP factory-built fireplaces to accept DuraTech Premium Chimney.

SIZE	6"	7"
ORDER #	6IHP2	7IHP2

Pass-Through Radiation Shield

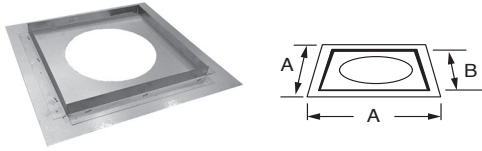


Use when insulated chimney passes up through a ceiling penetration from below. Suited for flat, vaulted, or cathedral applications. Integrated Firestop on bottom. Top can serve as an Attic Radiation Shield where required.

Factory insulation and square-to-round collar are included. Effective height (length) with standard extension is adjustable from 24" up to maximum of 46".

SIZE	6"	7"	8"
A	10 3/16"	11 3/16"	12 3/16"
B	14" x 14"	15" x 15"	16" x 16"
ORDER #	6DTP-SRSE	7DTP-SRSE	8DTP-SRSE

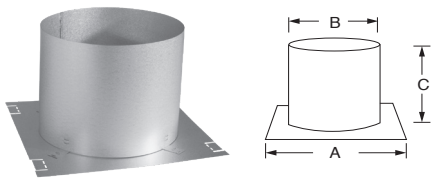
Firestop



Use as per instructions to provide protection at underside of a ceiling penetration.

SIZE	6"	7"	8"
A	16"	18"	18"
B	14"	15"	16"
ORDER #	6DTP-FS	7DTP-FS	8DTP-FS

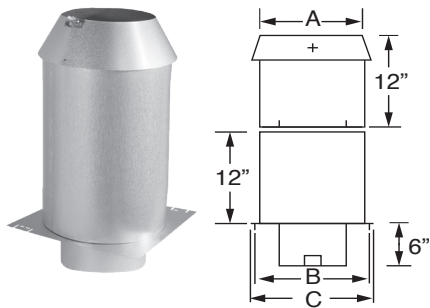
Radiation Shield



Can be used as an alternative to the standard Firestop (FS). This version includes a Radiation Shield. May be required by some appliance manufacturers.

SIZE	6"	7"	8"
A	16"	18"	18"
B	13"	14"	15"
C	10"	10"	10"
ORDER #	6DTP-RS	7DTP-RS	8DTP-RS

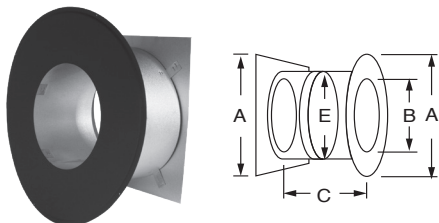
Adjustable Insulated Attic Radiation Shield



Two-piece overlapping design adjusts from 12" up to 22" height to accommodate deeper levels of insulation. Part is factory-insulated and includes both the base plate and collar as shown.

SIZE	6"	7"	8"
A	14"	15"	16"
B	14"	15"	16"
C	16"	18"	18"
ORDER #	6DTP-AARS	7DTP-AARS	8DTP-AARS

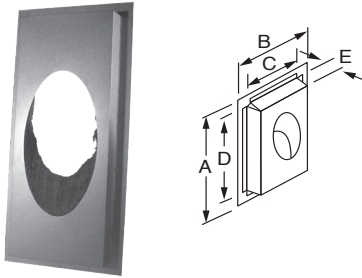
Insulated Wall Thimble



Designed to protect surrounding combustible materials when a chimney passes through a wall. Thimble works with wall thicknesses from 7" up to 12-1/2". Can be trimmed for use with thinner walls. Includes painted Decorative Collar for interior finish. Insulated to prevent heat loss or cold air intrusion.

SIZE	6"	7"	8"
A	20"	20"	20"
B	10 3/8"	11 3/8"	12 3/8"
C	7" to 12 1/2"		
D	16"	18"	18"
E	14"	15"	16"
ORDER #	6DTP-WTI-2	7DTP-WTI-2	8DTP-WTI-2

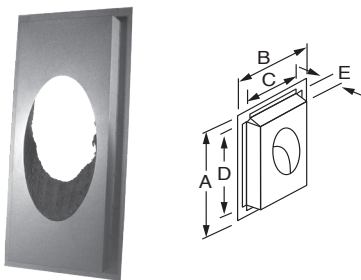
30° Insulated Wall Radiation Shield



This part is to be used only with a wood-burning fireplace that has been certified for use with the chimney. It has been designed for use when the chimney passes through a wall at an angle.

SIZE	6"	7"	8"
A	40 13/16"	42 3/4"	44 13/16"
B	16 7/8"	17 7/8"	18 7/8"
C	18 7/8"	19 7/8"	20 7/8"
D	38 3/4"	40 3/4"	42 13/16"
E	3"	3"	3"
ORDER #	6DTP-WRSI30	7DTP-WRSI30	8DTP-WRSI30

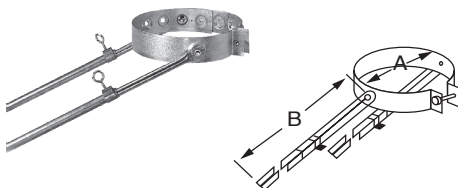
45° Insulated Wall Radiation Shield



This part is to be used only with a wood-burning fireplace that has been certified for use with the chimney. It has been designed for use when the chimney passes through a wall at an angle.

SIZE	6"	7"	8"
A	29 1/2"	30 3/8"	32"
B	17 1/8"	17 7/8"	18 7/8"
C	19 1/8"	19 7/8"	20 7/8"
D	27 1/2"	28 5/8"	30"
E	3"	3"	3"
ORDER #	6DTP-WRSI45	7DTP-WRSI45	8DTP-WRSI45

Roof Brace (UNIVERSAL)

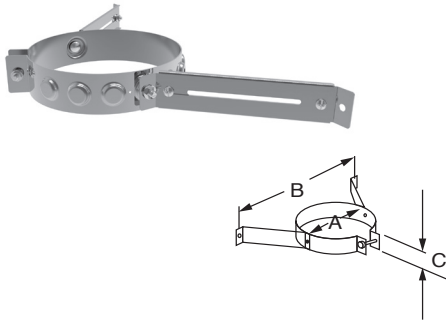


Required to stabilize chimney against wind-loading when 5 feet or more extends above the roof-line. Adjustable collar works with 6", 7", or 8" pipe. Brace arms are adjustable from 60" up to 115".

Note: Not intended to provide protection against sliding ice or snow on a metal roof.

SIZE	6"	7"	8"
A	10"	11"	12"
B	60" to 115"		
ORDER #	DTP-XRSU		

Wall Band (UNIVERSAL)

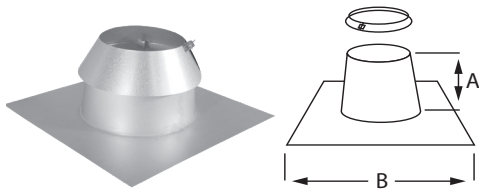


Use to provide lateral stability when chimney runs up an interior or exterior wall. Adjustable arms slide in or out to set required clearances. Adjustable collar works with 6", 7", or 8" pipe.

Note: The use of wall bands at intervals of 8' is recommended.

SIZE	6"	7"	8"
A	10"	11"	12"
B	25"	27"	29"
C	2"	2"	2"
ORDER #	DTP-AWBU-2		

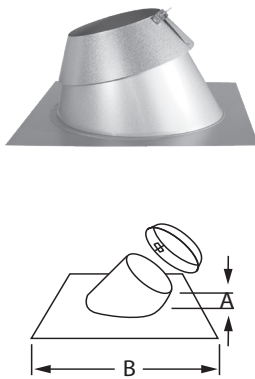
Flat Roof Flashing



Galvanized Flat Roof Flashing. Storm collar included.

SIZE	6"	7"	8"
A	7 1/2"	7 1/2"	7 1/2"
B	24"	24"	24"
ORDER #	6DTP-FF	7DTP-FF	8DTP-FF

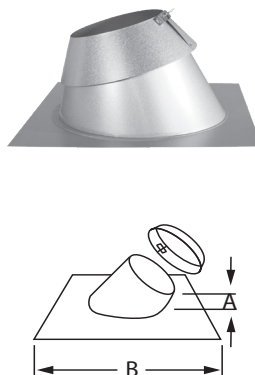
Adjustable Roof Flashing



Galvanized Adjustable Roof Flashing. Choose from 3 different versions to match roof pitch. Storm collar is included.

SIZE		6"	7"	8"
1/12 - 7/12	A	6"		
	B	24"		
	ORDER #	6DTP-F7	7DTP-F7	8DTP-F7
8/12 - 12/12	A	3 7/8"	3 7/8"	4 1/2"
	B	24"	24"	30"
	ORDER #	6DTP-F12	7DTP-F12	8DTP-F12
12/12 - 21/12	A	6 1/4"	6 1/4"	6 1/4"
	B	36"	40"	42"
	ORDER #	6DTP-F21	7DTP-F21	8DTP-F21

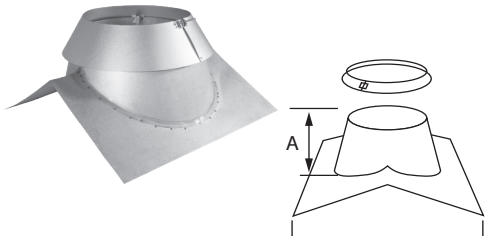
DSA Roof Flashing



This flashing features a base plate made of malleable (aka "Dead-Soft") aluminum. This material is easily shaped-by-hand to match corrugated metal roofing or rounded clay-tile shingles. Storm Collar is included.

SIZE		6"	7"	8"	
1/12 - 7/12 Aluminum Malleable	A	6"			
	B	36"			
	ORDER #	6DTP-F7DSA	7DTP-F7DSA	* For 8" DSA Flashing: contact your regional manager for assistance *	
8/12 - 12/12 Aluminum Malleable	A	4 7/8"			
	B	36"			
	ORDER #	6DTP-F12DSA	7DTP-F12DSA		

Peak Roof Flashing



Galvanized peak roof flashing. Choose from two different versions to match roof pitch. Comes with storm collar.

PEAK ROOF SIZE		6"	7"	8"
1/12 - 7/12	A	3 5/8"	3 5/8"	3 5/8"
	B	13 1/2"	14"	15"
	ORDER #	6DTP-FP7	7DTP-FP7	8DTP-FP7
8/12 - 12/12	A	3 1/2"	3 1/2"	3 1/2"
	B	14"	14"	14"
	ORDER #	6DTP-FP12	7DTP-FP12	8DTP-FP12

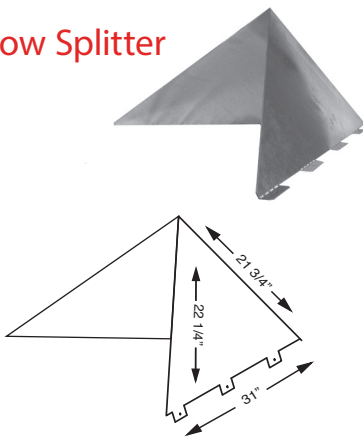
Storm Collar



Collar fits over flashings to help prevent water intrusion. Generous shoulder width ensures effective protection in all climates when installed as directed. **Included with all roof flashings.**

SIZE	6"	7"	8"
A	5"	5"	5"
ORDER #	6DTP-SC	7DTP-SC	8DTP-SC

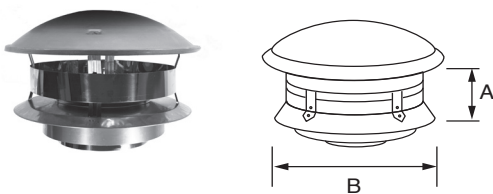
Snow Splitter



Ships flat, and folds easily on the job site. Includes 8 fastening flanges (4 on each side) for mounting. Made with heavy 14 gauge galvanized steel. Fits all diameters.

SIZE	6"	7"	8"
ORDER #	SP		

Rain Cap

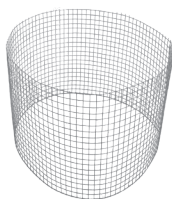


A rain cap is required to prevent precipitation from entering the chimney. Unique clamp design allows for universal fit on any chimney with either a one-inch or two-inch wall thickness.

Note: Check local codes to determine if an optional spark arrester is required.

SIZE	6"	7"	8"
A	4"	4"	4 3/4"
B	12 1/4"	12 1/4"	15 1/2"
ORDER #	6VC	7VC	8VC

Universal Spark Arrester Band



This band is wrapped around the rain cap. Its purpose is to help prevent burning embers from escaping. As an added benefit, it keeps birds and other small animals from entering the chimney. Mesh must be cut to suit cap. Made of stainless steel.

SIZE	6"	7"	8"
ORDER #	SA		

Trim Collar



The optional decorative Trim Collar can be used to help provide a professional finish around the chimney when passing through a non-combustible wall.

SIZE	6"	7"	8"
ORDER #	6DTP-TRC	7DTP-TRC	8DTP-TRC
Int.	10 1/8"	11 1/8"	12 1/8"
Ext.	21"	21"	21"

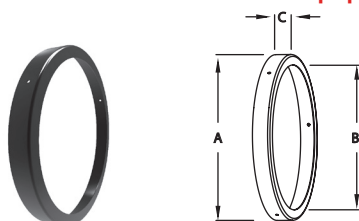
Decorative Collar Single-Wall Stovepipe



Used in through-wall installations. Provides decorative finish with transition between chimney and single-wall stove pipe.

SIZE	6"	7"	8"
A	10"	11"	12"
B	6 1/8"	7 1/8"	8 1/8"
C	1"	1"	1"
ORDER #	6DTP-DC	7DTP-DC	8DTP-DC

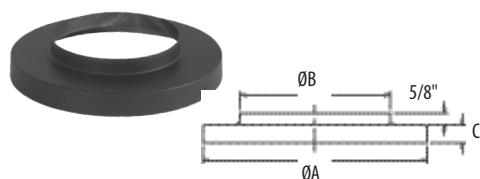
Decorative Collar DVL Double-Wall Stovepipe



Used in through-wall installations. Provides decorative finish with transition between chimney and DVL Double-Wall stovepipe.

SIZE	6"	7"	8"
A	10 1/8"	11 1/8"	12 1/8"
B	7 1/8"	8 1/8"	9 1/8"
C	7/8"		
ORDER #	6DTP-DVL	7DTP-DVL	8DTP-DVL

Decorative Collar DDW Double-Wall Stovepipe



Used in through-wall installations. Provides decorative finish in transition between chimney and DDW Double-Wall stove pipe.

SIZE Ø	6"	7"	8"
A	10 1/8"	11 1/8"	12 1/8"
B	6 5/8"	7 5/8"	8 5/8"
C	7/8"	7/8"	7/8"
ORDER #	6DDW-QDX	7DDW-QDX	8DDW-QDX

DuraVent Limited Lifetime Warranty

DuraVent, Inc. ("DuraVent") provides this limited lifetime warranty for all of its products with the exception of Ventinox® (lifetime), and PolyPro® (ten years). Subject to the limitations set forth below, DuraVent warrants that its products will be free from defects in material or manufacturing, if properly installed, maintained and used. DuraVent products are fully warranted if installed only by a professional installer. This Warranty is transferable from the original homeowner to the buyer of the home. This warranty does not cover normal wear and tear, smoke damage or damage caused by chimney fires, acts of God, or any product that was: (1) purchased other than from an authorized DuraVent dealer, retailer or distributor; (2) modified or altered; (3) improperly serviced, inspected or cleaned; or (4) subject to negligence or any use not in accordance with the installation instructions included with the product as determined by DuraVent. Installation instructions are available online at www.duravent.com under Support/Literature and through our Customer Service Department 800-835-4429 or customerservice@duravent.com. This limited lifetime warranty applies only to parts manufactured by DuraVent.

DuraVent provides the following warranties for its products: One Hundred Percent (100%) MSRP 15 years from the date of purchase, and Fifty Percent (50%) thereafter, except for the following limitations on: all Termination Caps and DuraBlack® are warranted at One Hundred Percent (100%) for five years.

All warranty obligations of DuraVent shall be limited to repair or replacement of the defective product pursuant to the terms and conditions applicable to each product line. These remedies shall constitute DuraVent's sole obligation and sole remedy under this warranty. This warranty provides no cash surrender value. The terms and conditions of this warranty may not be modified, altered or waived by any action, inaction or representation, whether oral or in writing, except upon the express, written authority of an executive officer of DuraVent.

Corn, bio-fuels, driftwood or other wood containing salt, preservative-treated lumber, plastic and household trash or garbage, or wood pellets containing such materials must not be burned in the appliance or fireplace. In case of a chimney fire, the chimney must be inspected and approved by a certified Chimney Sweep before reuse. After each annual inspection, maintenance, and cleaning, the certified Chimney Sweep must fill out and date the appropriate section of the warranty card provided with the chimney liner.

LIMITATIONS ON INTERNET SALES: Notwithstanding any other terms or conditions of this Limited Lifetime Warranty, DuraVent provides no warranty for the following specific products if such products are not installed by a qualified professional installer: DuraTech®, DuraTech® DTC, DuraPlus HTC®, DuraTech® Premium, DDW®, DuraChimney® II, DuraPlus Canada 2, PelletVent Pro®, DirectVent Pro®,

FasNSeal®, FasNSeal® W2, FasNSeal® Flex, and PolyPro®, and DuraVent's relining products including DuraLiner®, DuraFlex® (SW, Pro, 316, 304), and Ventinox®. For purposes of this warranty, a trained professional installer is defined as one of the following: licensed contractors with prior chimney installation experience, CSIA Certified Chimney Sweeps, NFI Certified Specialists, or WETT Certified Professionals.

DuraVent must be notified and given the opportunity to inspect defective product prior to replacement under the terms of this limited lifetime warranty. All warranty claims must be submitted with proof of purchase. Labor and installation costs are not covered under this warranty. To obtain warranty service contact: DuraVent Warranty Service, 877 Cotting Ct., Vacaville CA 95688, or call 800-835-4429.

WHERE LAWFUL, DURAVENT DISCLAIMS ALL OTHER WARRANTIES, INCLUDING BUT NOT LIMITED TO IMPLIED WARRANTIES OF MERCHANTABILITY AND FITNESS FOR A PARTICULAR PURPOSE. IN NO EVENT WILL DURAVENT BE LIABLE FOR INCIDENTAL, CONSEQUENTIAL, PUNITIVE OR SPECIAL DAMAGES OR DIRECT OR INDIRECT LOSS OF ANY KIND, INCLUDING BUT NOT LIMITED TO PROPERTY DAMAGE AND PERSONAL INJURY. DURAVENT'S ENTIRE LIABILITY IS LIMITED TO THE PURCHASE PRICE OF THIS PRODUCT. SOME STATES DO NOT ALLOW LIMITATIONS ON IMPLIED WARRANTIES, OR THE EXCLUSION OR LIMITATION OF INCIDENTAL OR CONSEQUENTIAL DAMAGES, SO THE ABOVE LIMITATIONS AND EXCLUSIONS MAY NOT APPLY TO YOU. THIS LIMITED WARRANTY GIVES YOU SPECIFIC LEGAL RIGHTS, AND YOU MAY ALSO HAVE OTHER RIGHTS THAT VARY FROM STATE TO STATE.

For the most up-to-date installation instructions, see www.duravent.com

DuraVent®



BUILD FOR THE FUTURE

Customer Service and Support:

Airmate (USA).....	800.992.8368
Airmate (CAN)	888.735.5475
Ameriflow	800.252.8467
Amerivent (Retail).....	800.252.8467
Amerivent (Hearth & Wholesale)	800.423.4270
Amerivent (Support).....	800.748.0392
AMPCO (USA)	800.669.3269
AMPCO (CAN).....	888.735.5475
Duravent	800.835.4429
Hart & Cooley.....	800.433.6341
Hart & Cooley (Support)	800.748.0392
Heatfab (USA).....	800.772.0739
Heatfab (CAN)	800.848.2149
Lima.....	800.423.4270
Milcor	800.774.5240
Portals Plus.....	800.774.5240
RPS.....	800.624.8642
Security Chimney (USA).....	800.361.4909
Security Chimney (CAN)	800.667.3387
Selkirk (USA) Residential	800.992.8368
Selkirk (USA) Commercial.....	800.848.2149
Selkirk (USA) Support.....	800.748.0392
Selkirk (CAN)	888.735.5475

Manufacturing & Distribution Centers:

CANADA	
Nobel, ON	Manufacturing
Laval, QC	Manufacturing
Prescott, ON	Distribution
USA	
Grand Rapids, MI	Center of Excellence
Dallas, TX	Distribution
Englewood, OH	Distribution
Huntsville, AL	Manufacturing & Distribution
Mira Loma, CA	Distribution
Nampa, ID	Manufacturing & Distribution
Turner Falls, MA	Manufacturing & Distribution
Vacaville, CA	Manufacturing
MEXICO	
Ojinaga, MX	Manufacturing
Mexicali, MX	Manufacturing

Corporate Headquarters:

Duravent Group
 28 W. Adams, Suite 1810
 Detroit, MI 48226
 Tel: 800.835.4429
 Email: info@duraventgroup.com
www.duraventgroup.com

duravent[™]

duravent[™]
GROUP

BUILD FOR THE FUTURE

www.duraventgroup.com

