

Installation

How To Plan Your Chimney Installation

Step 1.	Measure the diameter of the appliance flue outlet. Select chimney and DVL, or DuraBlack stovepipe, with the same size flue dimension as the appliance.
Step 2.	Measure the roof pitch. For example, a 6/12 pitch has a vertical rise of 6" over a horizontal distance of 12". Select the appropriate flashing. See Figure 1.
Step 3.	Determine the minimum chimney height above the roof line. Building codes require a minimum of 3' above the roof penetration, and at least 2' higher, than any portion of a building within 10'. See Figure 1.
Step 4.	If an offset is required to avoid rafters or other obstructions, measure the horizontal distance required and the vertical height available. Both 15° and 30° elbows are available. Please note that 45° elbows are not allowed in the United States. Use elbow straps to ensure adequate support. See Figure 2.
Step 5.	Determine the total length of chimney and stovepipe required for the installation. To calculate the installed per length of 5"- 8" diameter DuraTech pipe, subtract 1 1/4" per joint. Subtract 1 1/4" per joint of DuraBlack stovepipe. Subtract 1 1/2" per joint of DVL close clearance pipe. Minimum chimney height, at sea level for a straight vertical chimney, is 10' to 15' above the appliance outlet. Higher elevations, or the use of elbows or a tee, will require approximately 30% to 60% more height to provide for an adequate draft.

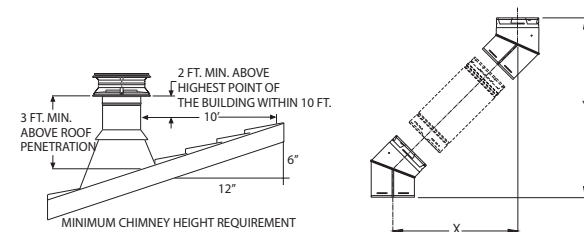
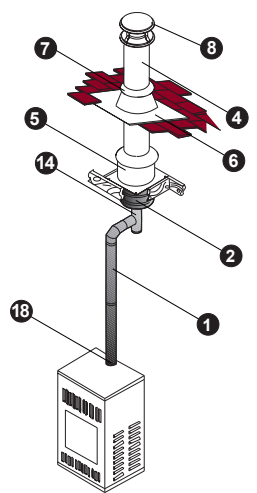
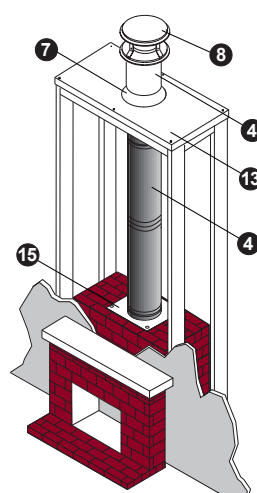


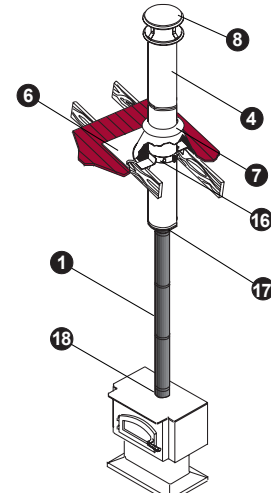
Figure 1



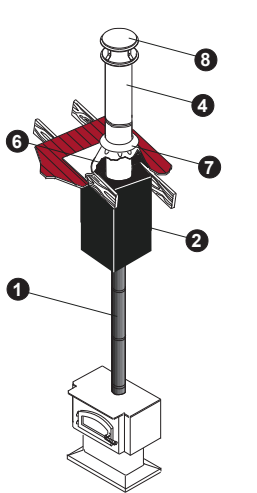
Oil Furnace



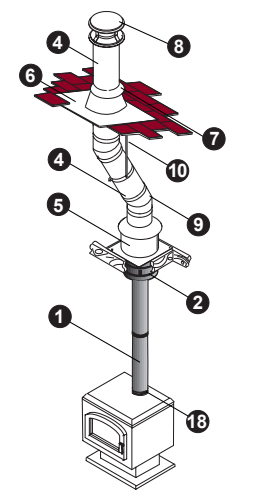
Fireplace
(New or retrofit)



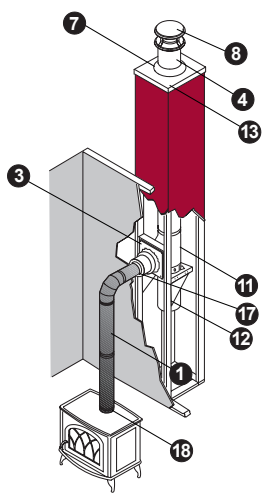
Cathedral Ceiling



Cathedral Ceiling w/
Support Box

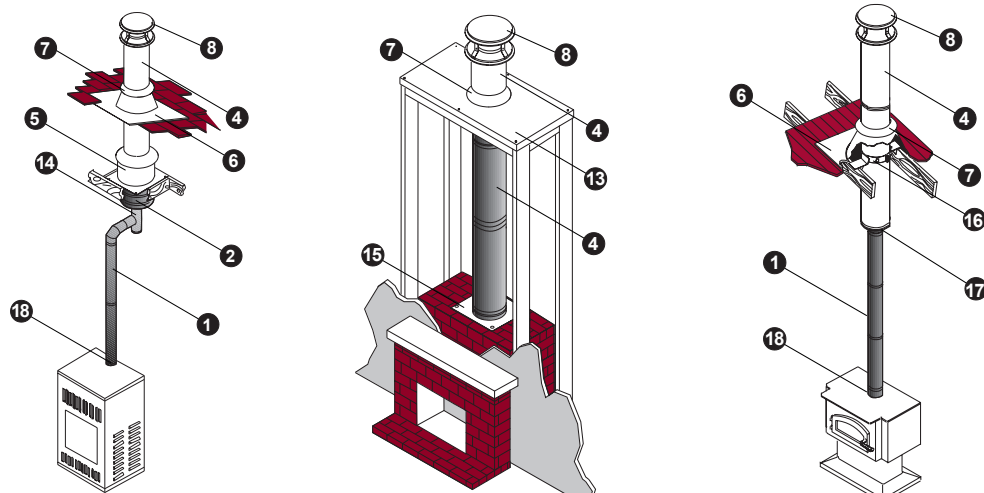


Attic Offset



Through-the-Wall

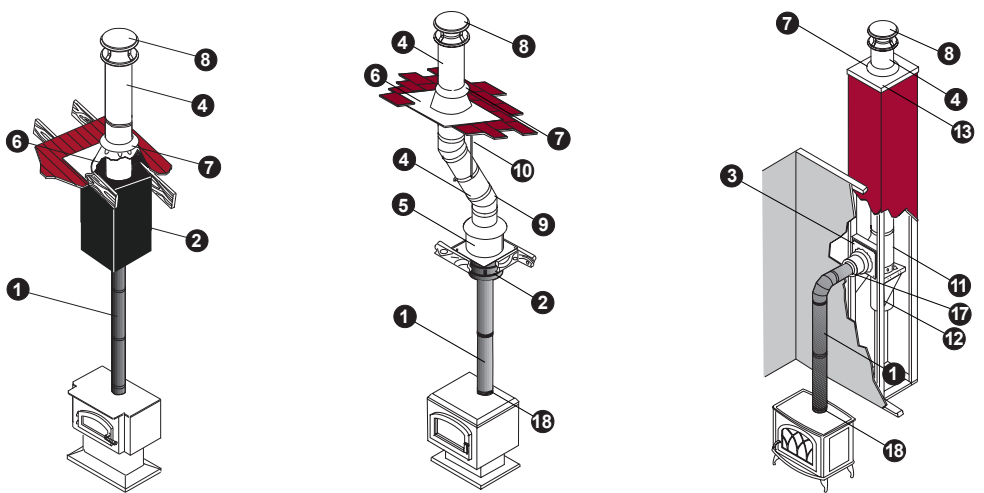
Cathedral Ceiling w/
Support Box Attic Offset Through-the-Wall



Oil Furnace

Fireplace
(New or retrofit)

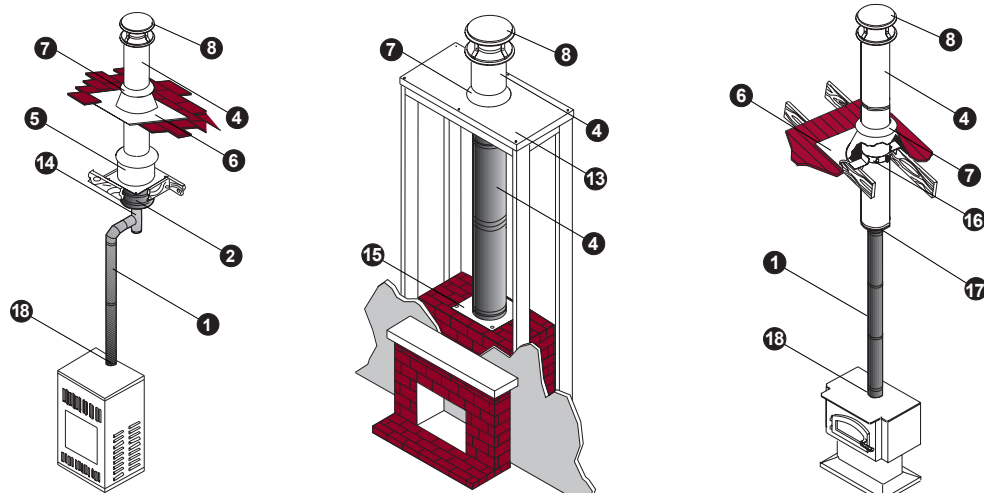
Cathedral Ceiling



Cathedral Ceiling w/
Support Box

Attic Offset

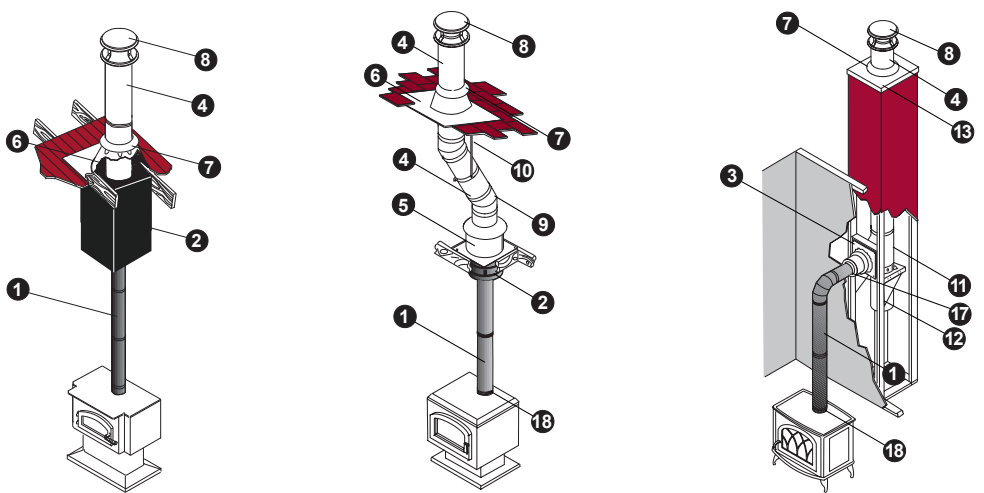
Through-the-Wall



Oil Furnace

Fireplace
(New or retrofit)

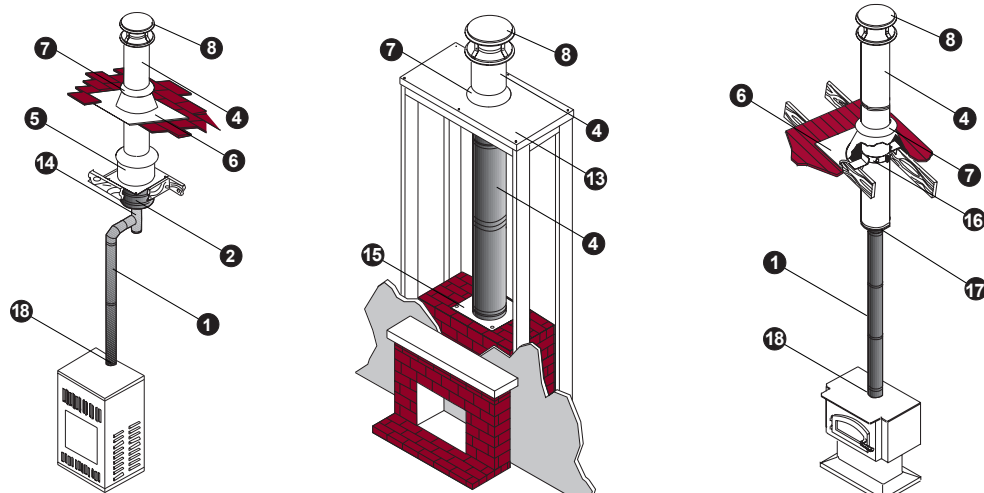
Cathedral Ceiling



Cathedral Ceiling w/
Support Box

Attic Offset

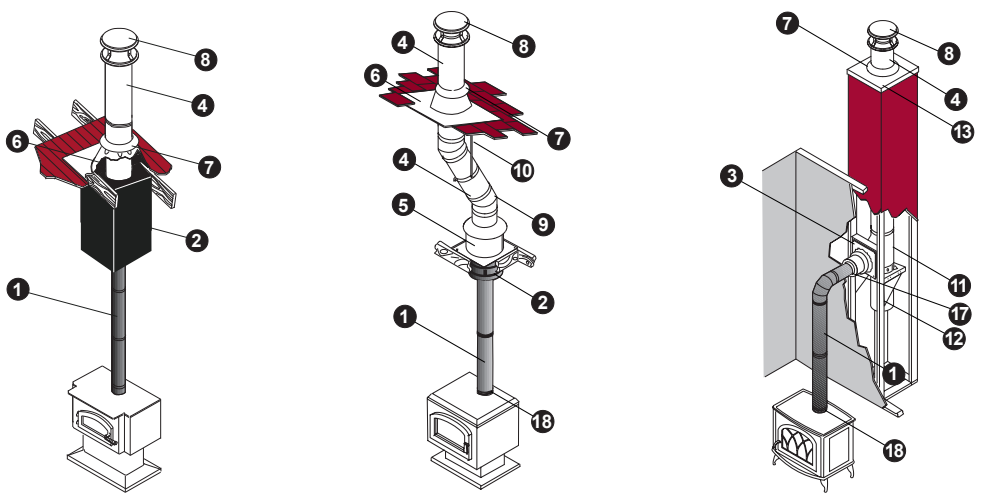
Through-the-Wall



Oil Furnace

Fireplace
(New or retrofit)

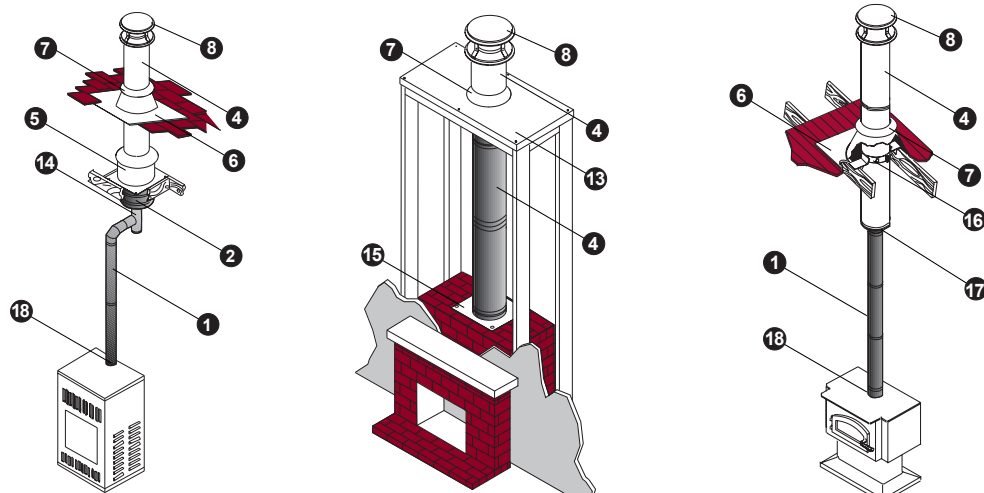
Cathedral Ceiling



Cathedral Ceiling w/
Support Box

Attic Offset

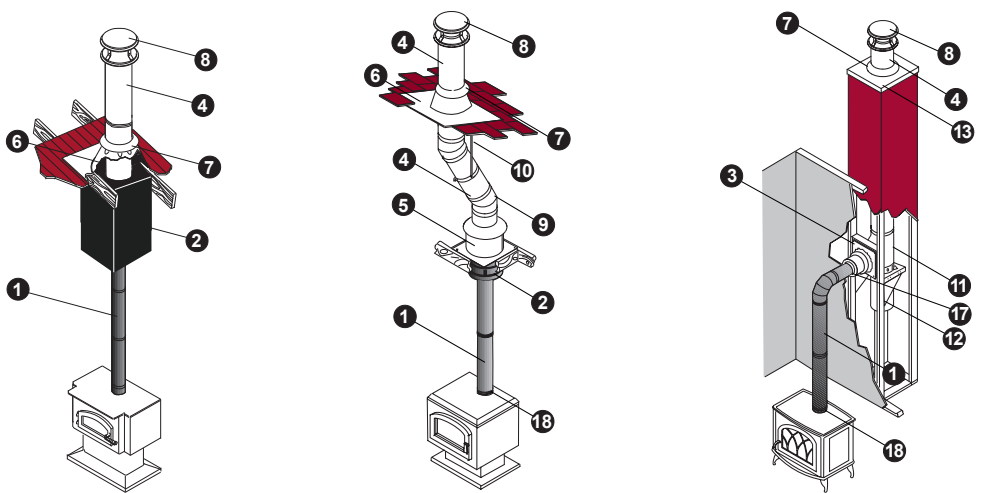
Through-the-Wall



Oil Furnace

Fireplace
(New or retrofit)

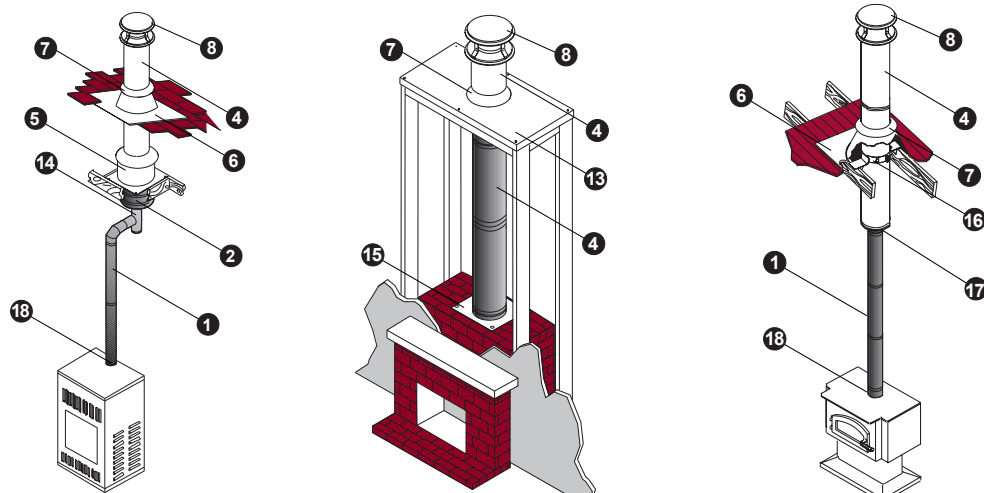
Cathedral Ceiling



Cathedral Ceiling w/
Support Box

Attic Offset

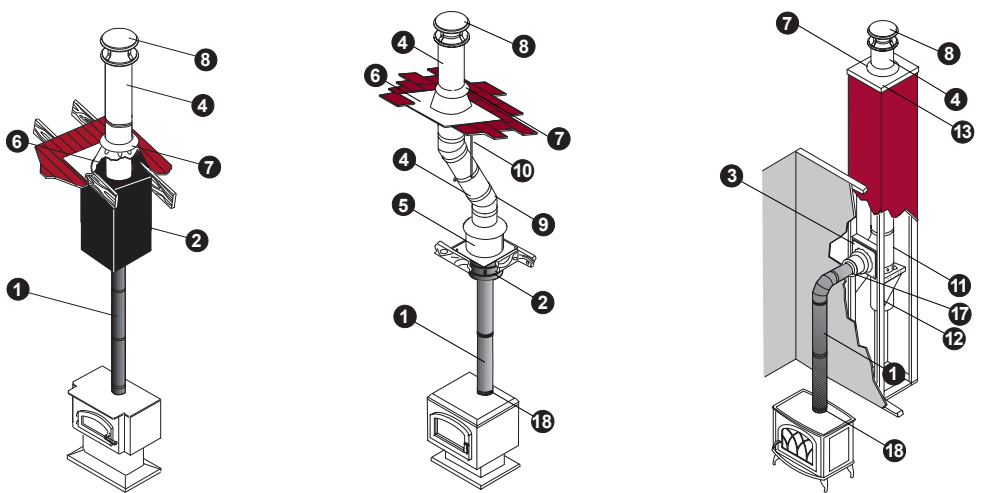
Through-the-Wall



Oil Furnace

Fireplace
(New or retrofit)

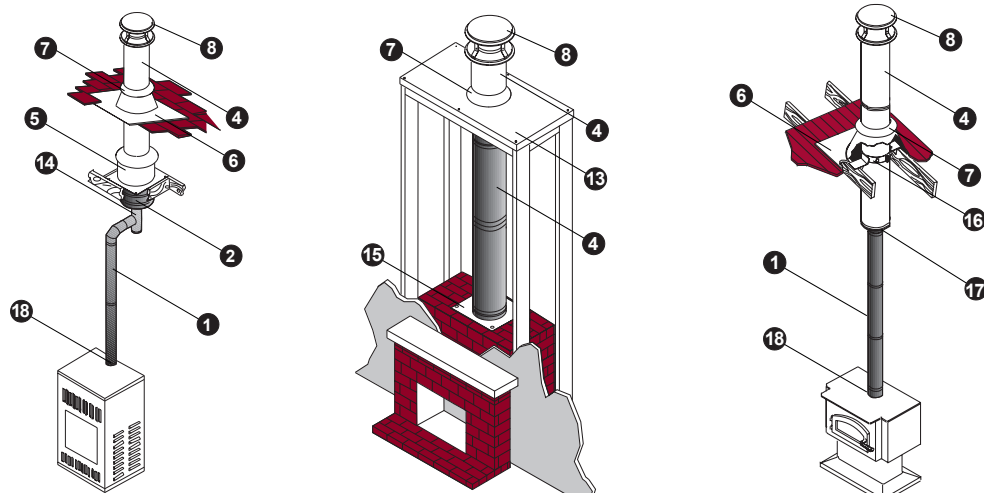
Cathedral Ceiling



Cathedral Ceiling w/
Support Box

Attic Offset

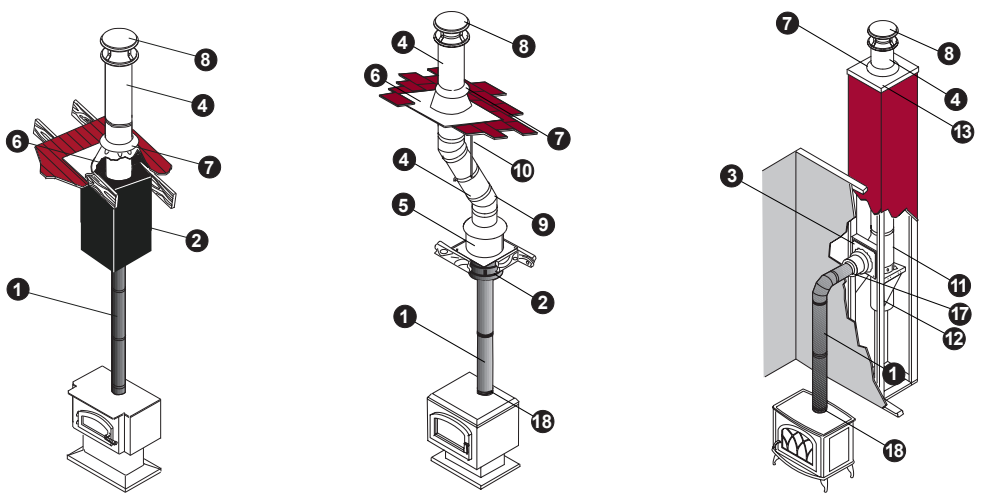
Through-the-Wall



Oil Furnace

Fireplace
(New or retrofit)

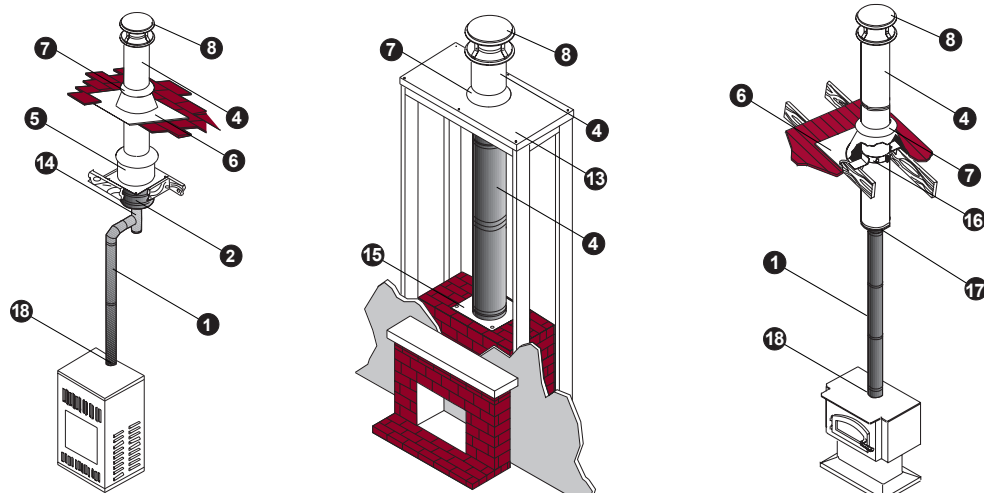
Cathedral Ceiling



Cathedral Ceiling w/
Support Box

Attic Offset

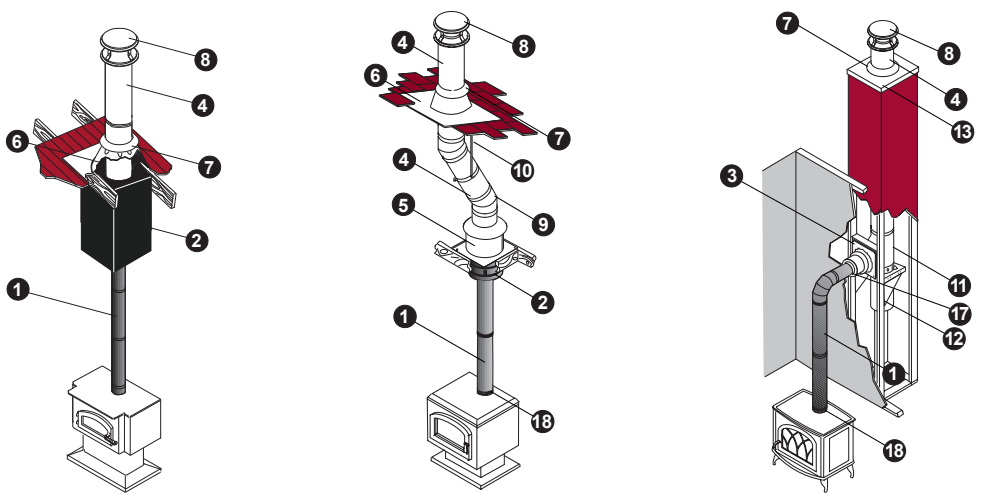
Through-the-Wall



Oil Furnace

Fireplace
(New or retrofit)

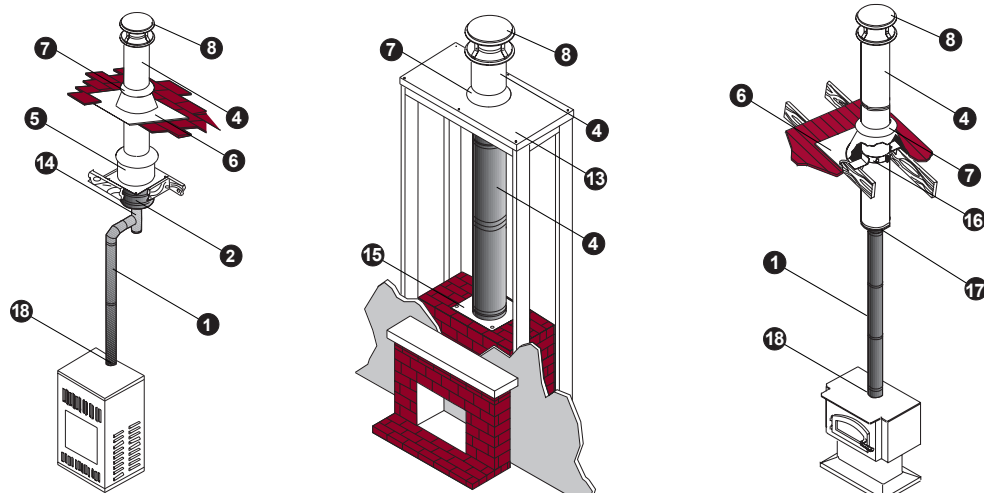
Cathedral Ceiling



Cathedral Ceiling w/
Support Box

Attic Offset

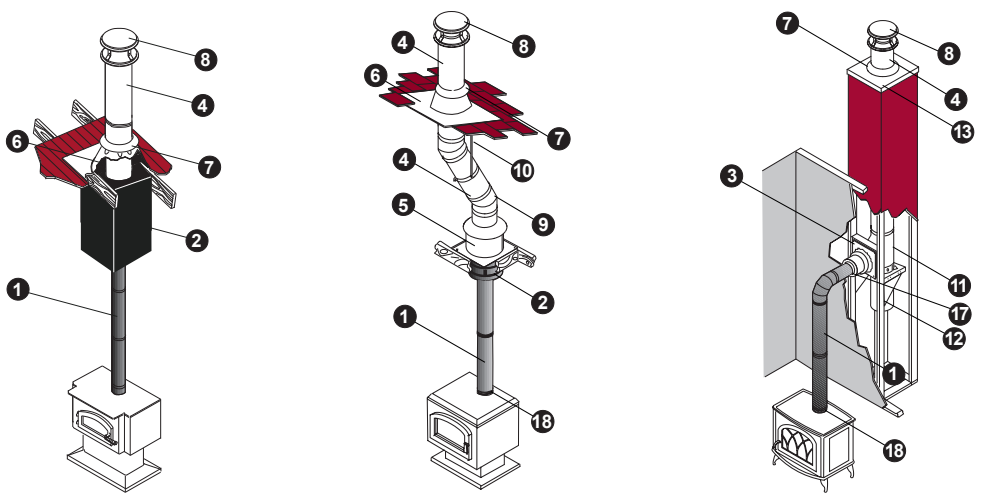
Through-the-Wall



Oil Furnace

Fireplace
(New or retrofit)

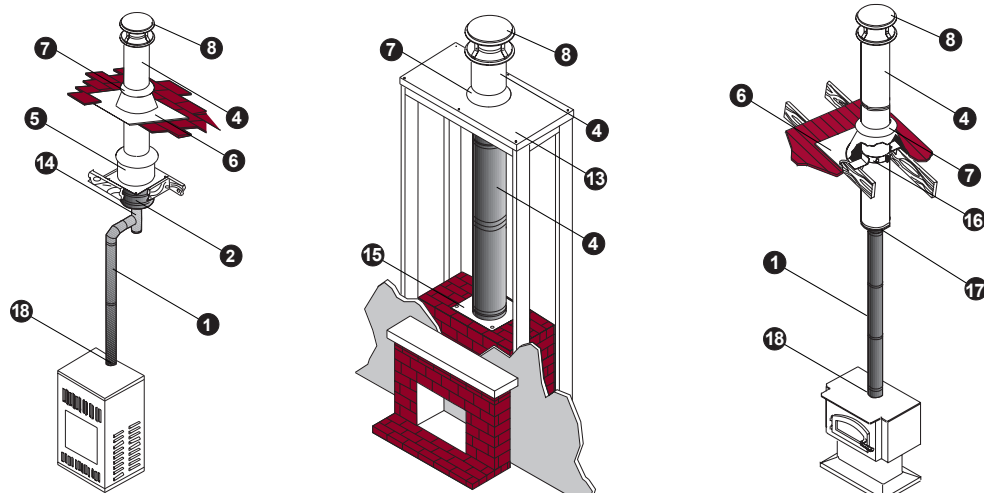
Cathedral Ceiling



Cathedral Ceiling w/
Support Box

Attic Offset

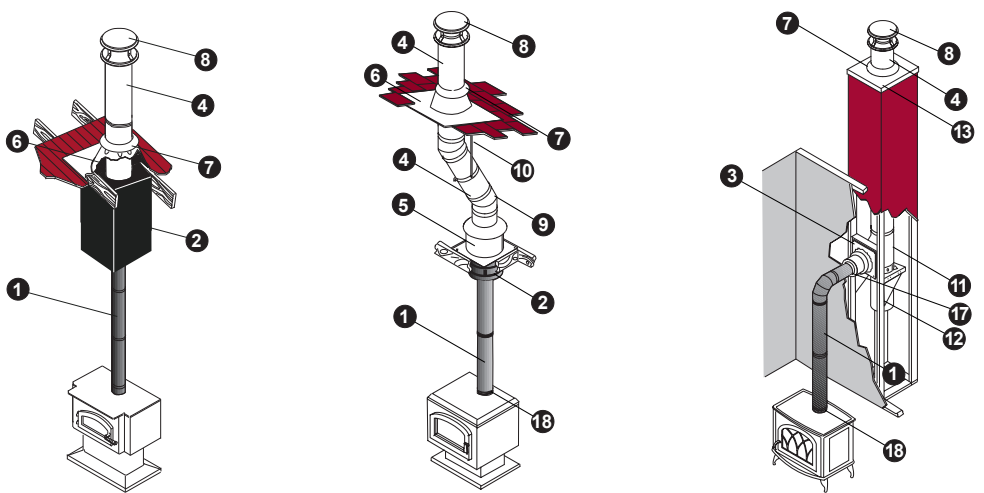
Through-the-Wall



Oil Furnace

Fireplace
(New or retrofit)

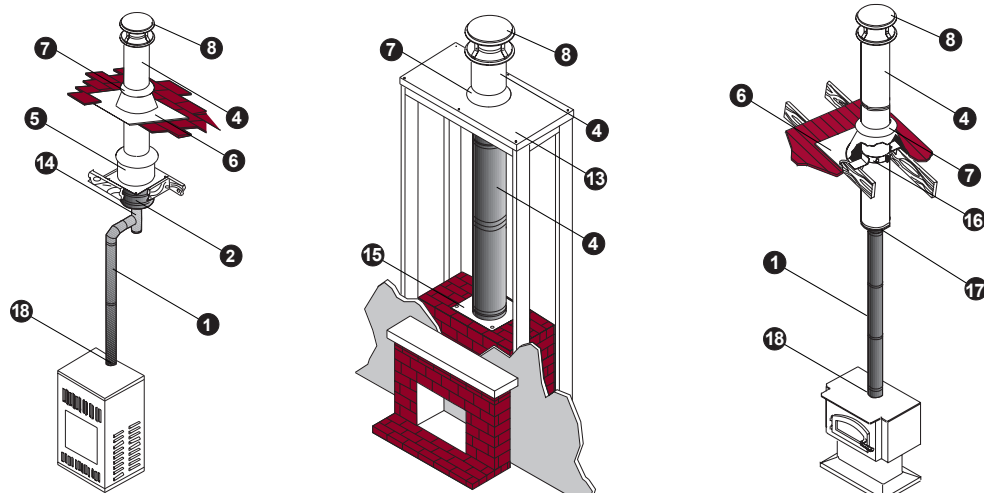
Cathedral Ceiling



Cathedral Ceiling w/
Support Box

Attic Offset

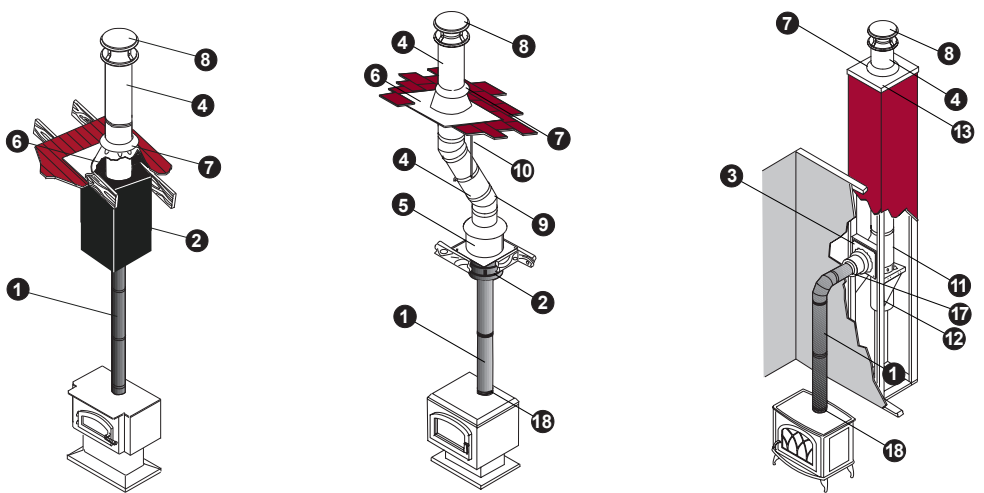
Through-the-Wall



Oil Furnace

Fireplace
(New or retrofit)

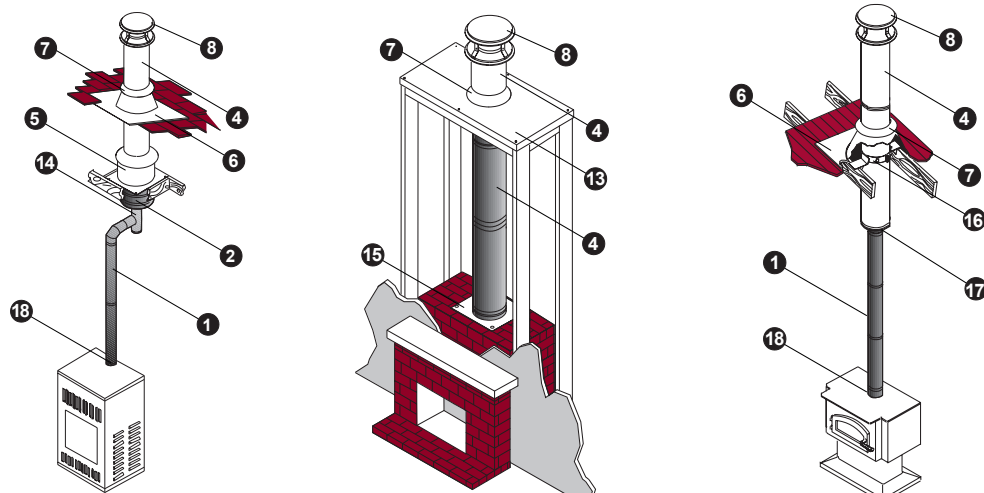
Cathedral Ceiling



Cathedral Ceiling w/
Support Box

Attic Offset

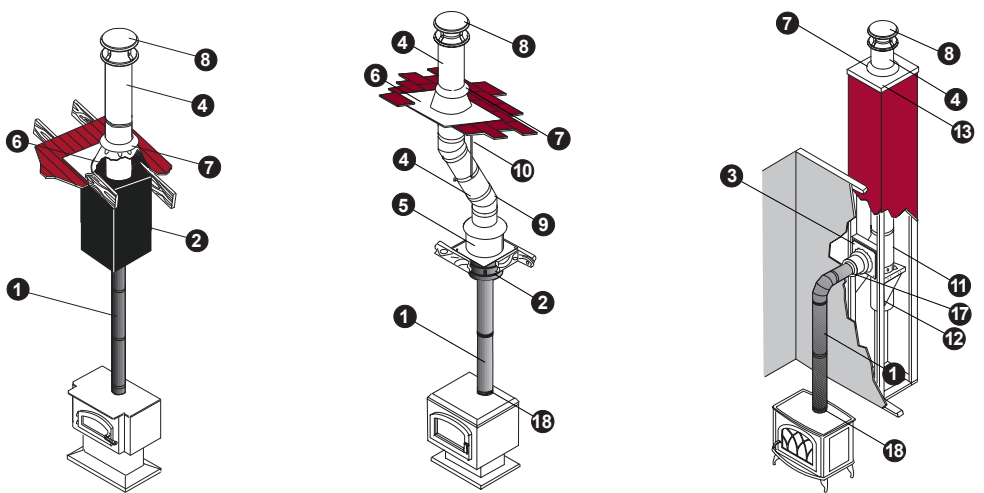
Through-the-Wall



Oil Furnace

Fireplace
(New or retrofit)

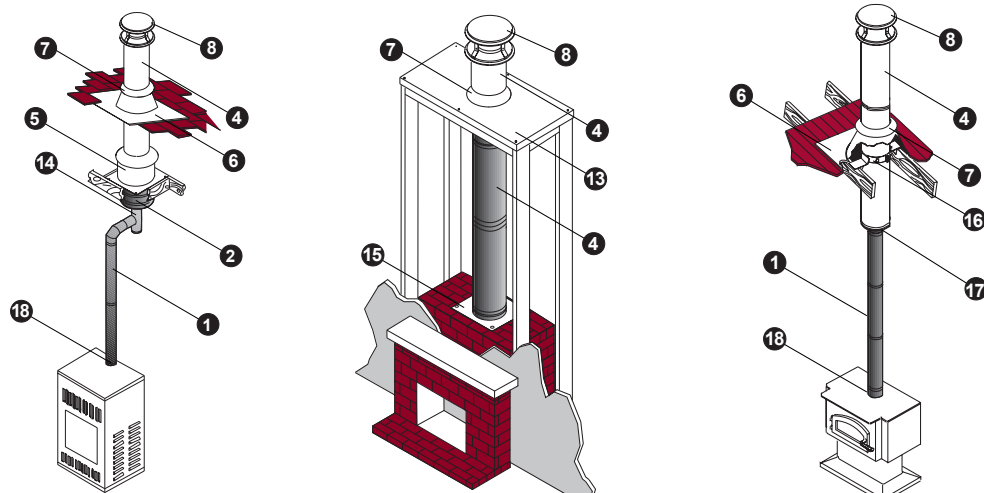
Cathedral Ceiling



Cathedral Ceiling w/
Support Box

Attic Offset

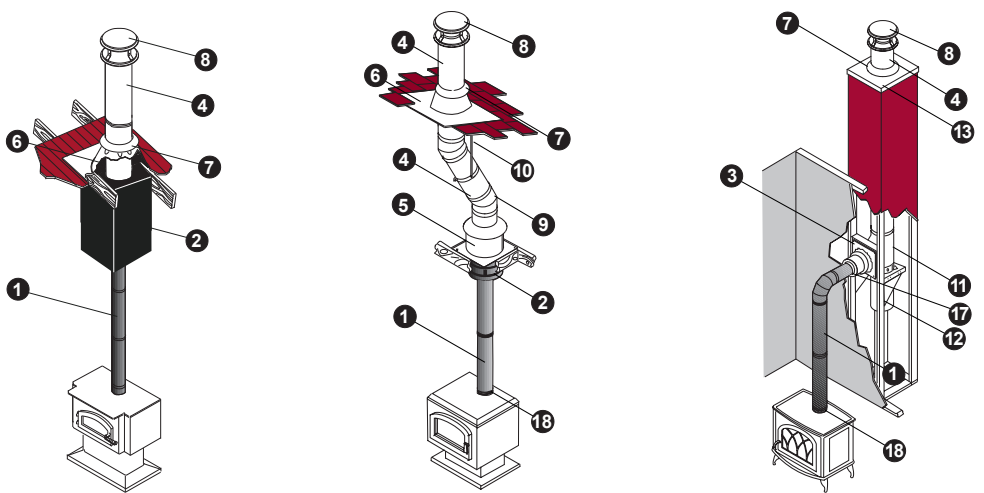
Through-the-Wall



Oil Furnace

Fireplace
(New or retrofit)

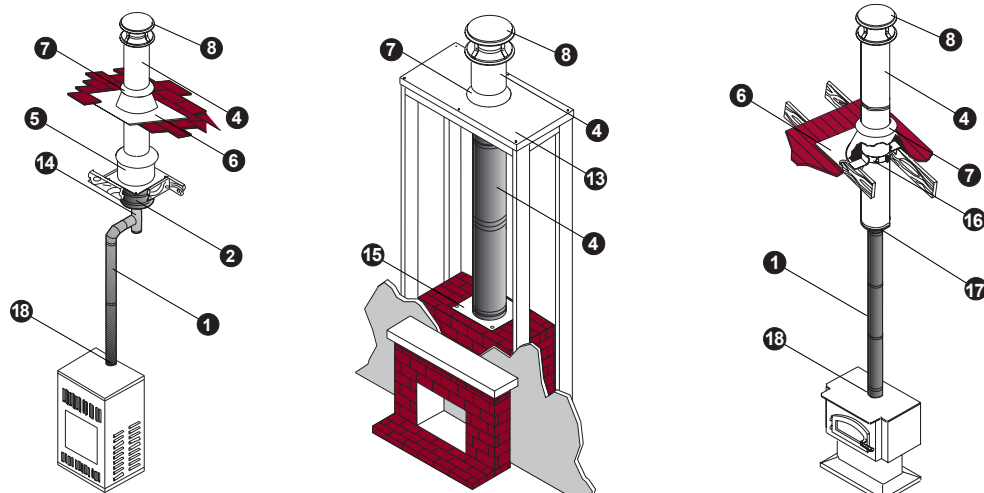
Cathedral Ceiling



Cathedral Ceiling w/
Support Box

Attic Offset

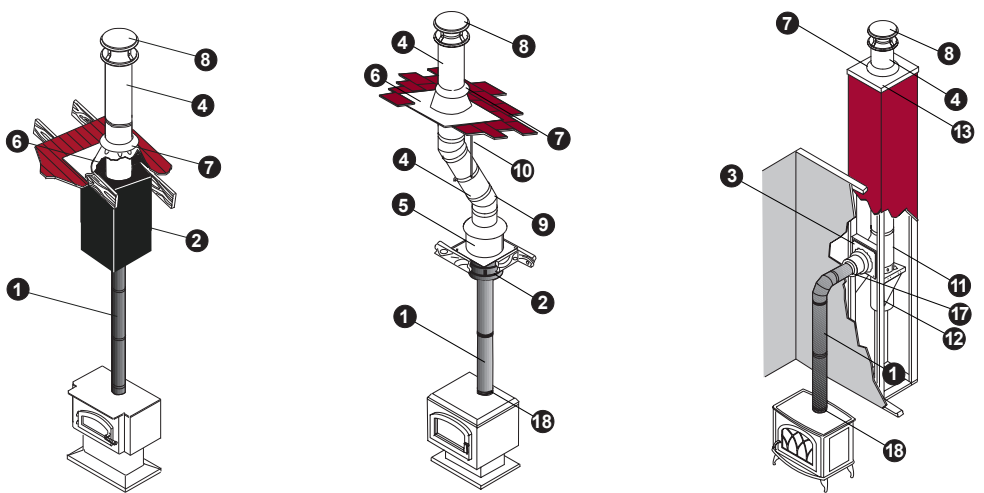
Through-the-Wall



Oil Furnace

Fireplace
(New or retrofit)

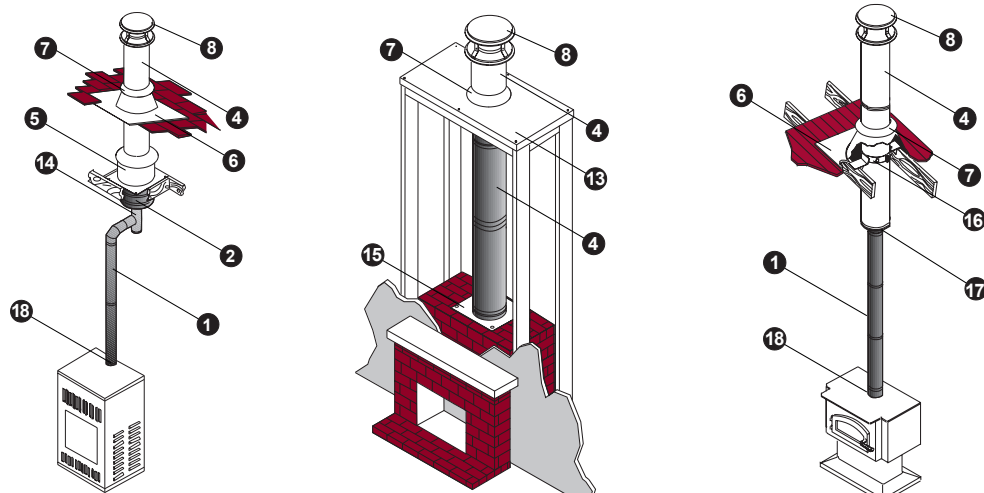
Cathedral Ceiling



Cathedral Ceiling w/
Support Box

Attic Offset

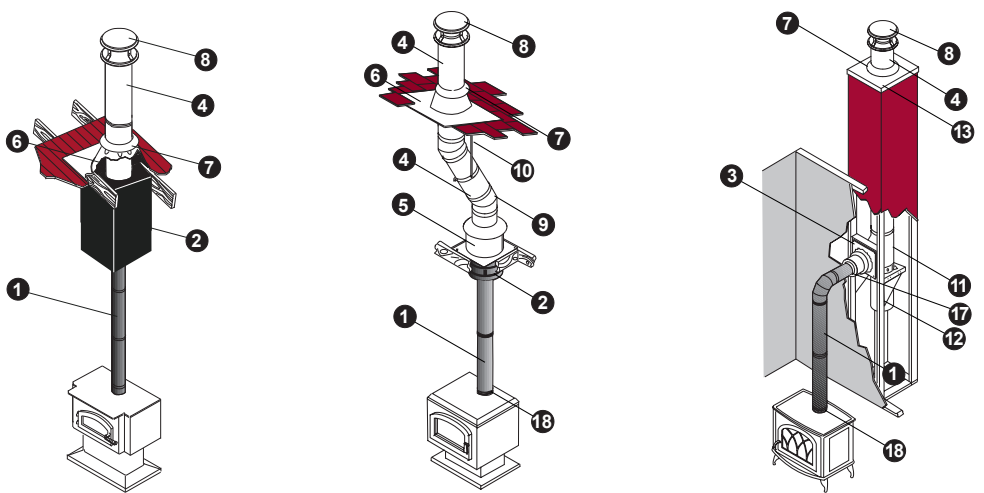
Through-the-Wall



Oil Furnace

Fireplace
(New or retrofit)

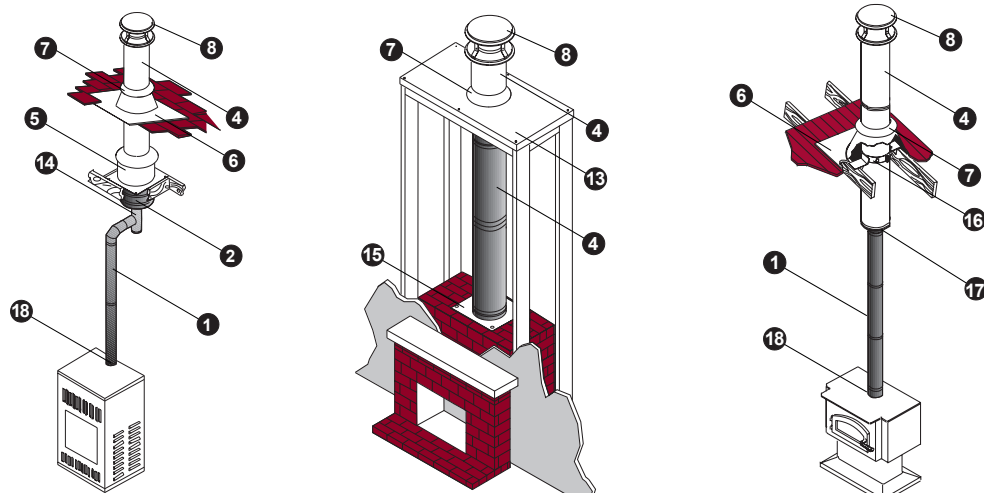
Cathedral Ceiling



Cathedral Ceiling w/
Support Box

Attic Offset

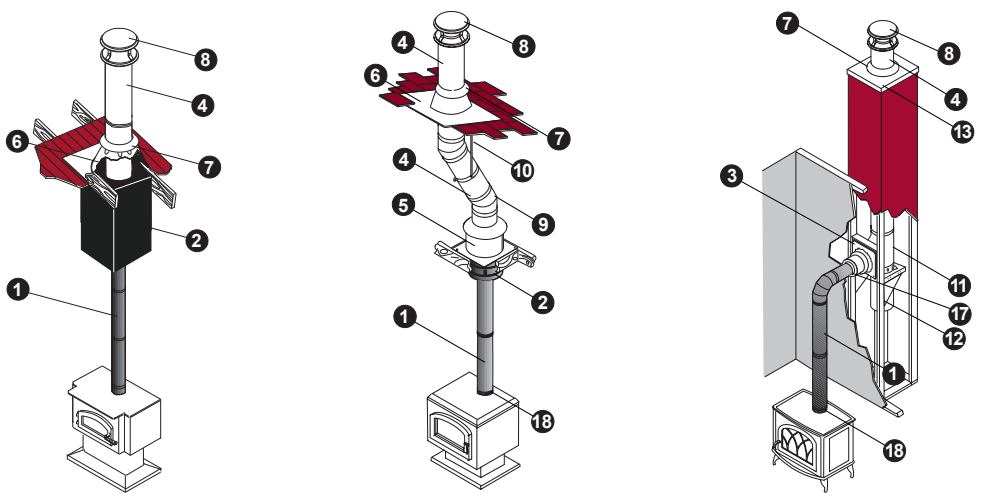
Through-the-Wall



Oil Furnace

Fireplace
(New or retrofit)

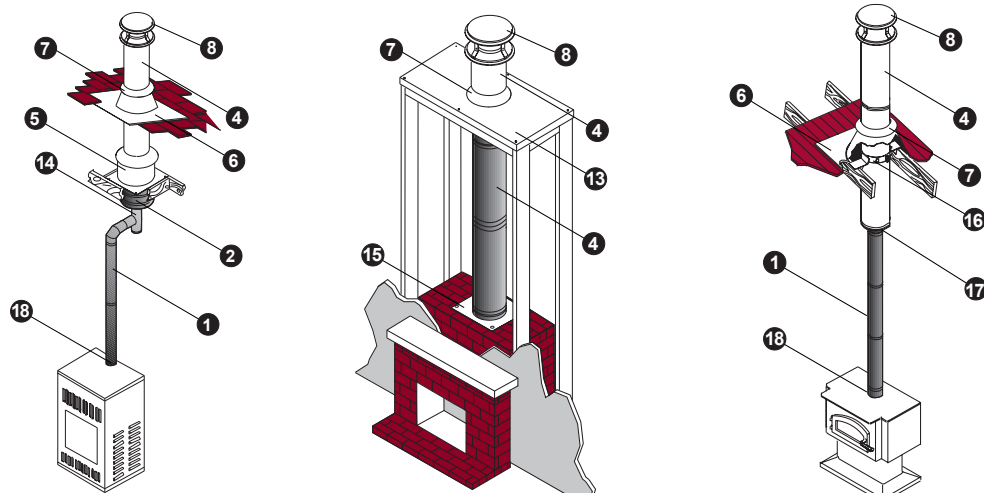
Cathedral Ceiling



Cathedral Ceiling w/
Support Box

Attic Offset

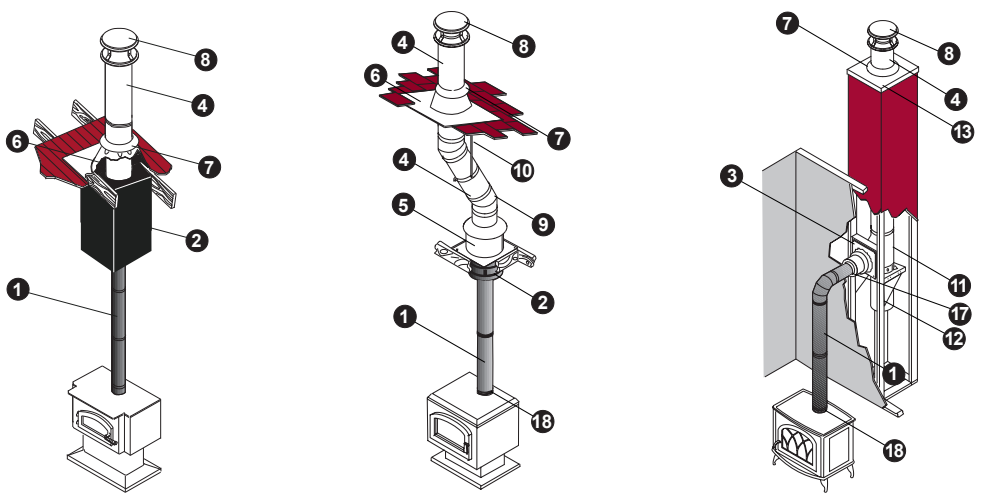
Through-the-Wall



Oil Furnace

Fireplace
(New or retrofit)

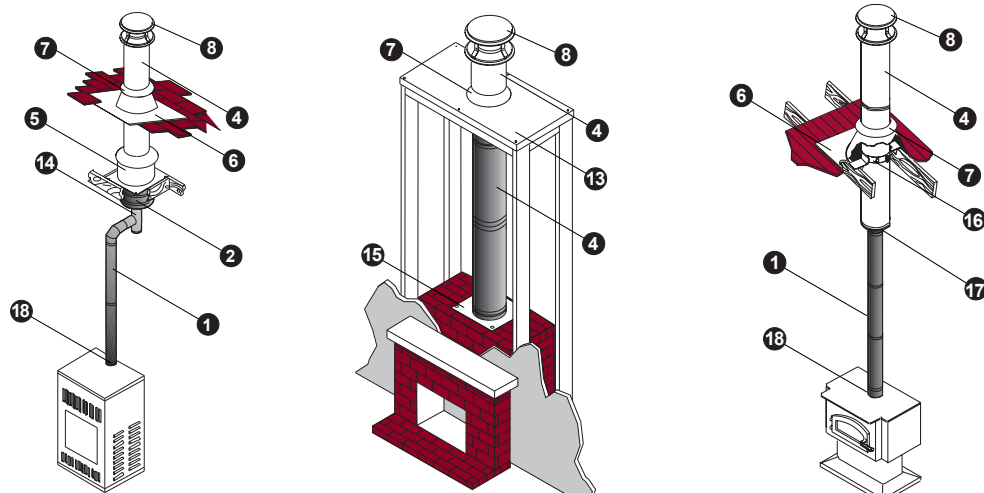
Cathedral Ceiling



Cathedral Ceiling w/
Support Box

Attic Offset

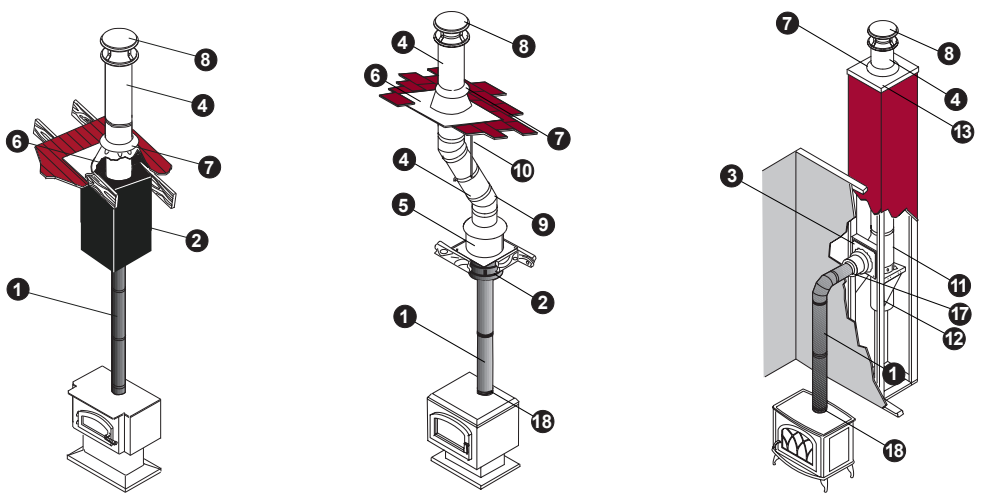
Through-the-Wall



Oil Furnace

Fireplace
(New or retrofit)

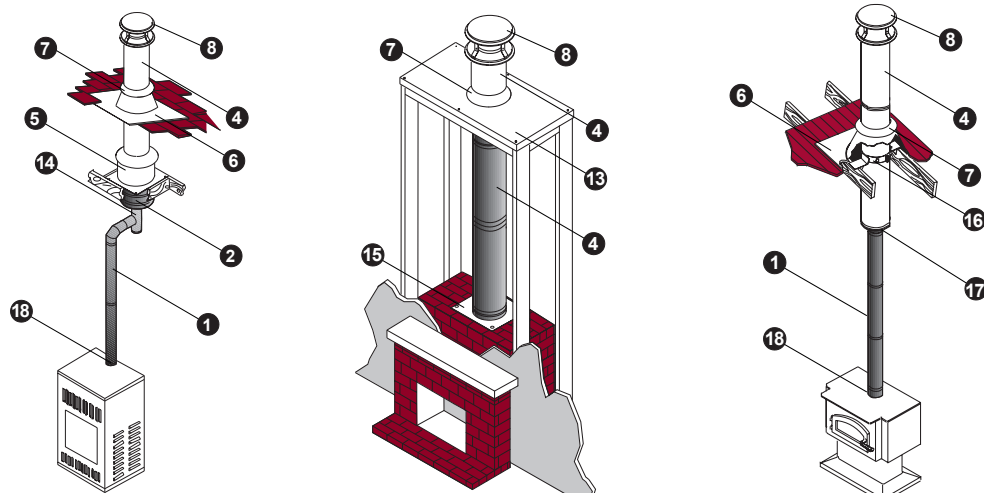
Cathedral Ceiling



Cathedral Ceiling w/
Support Box

Attic Offset

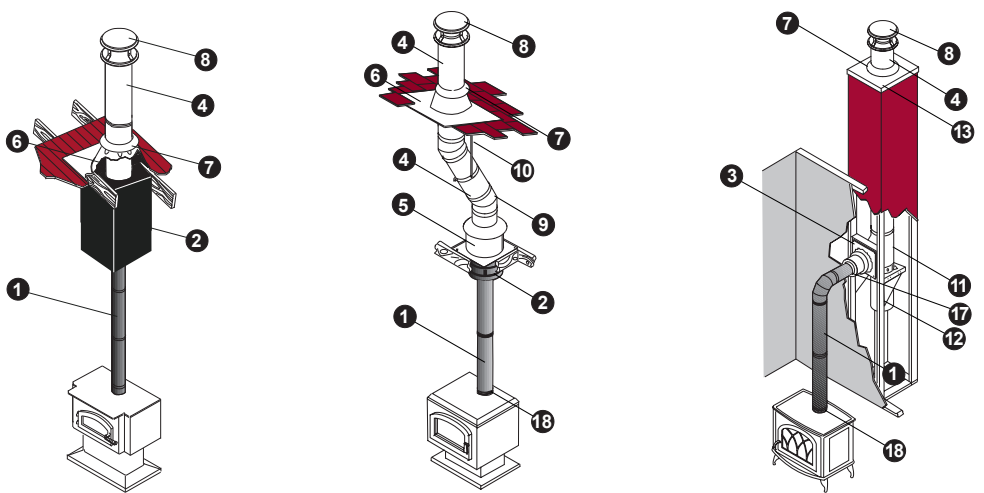
Through-the-Wall



Oil Furnace

Fireplace
(New or retrofit)

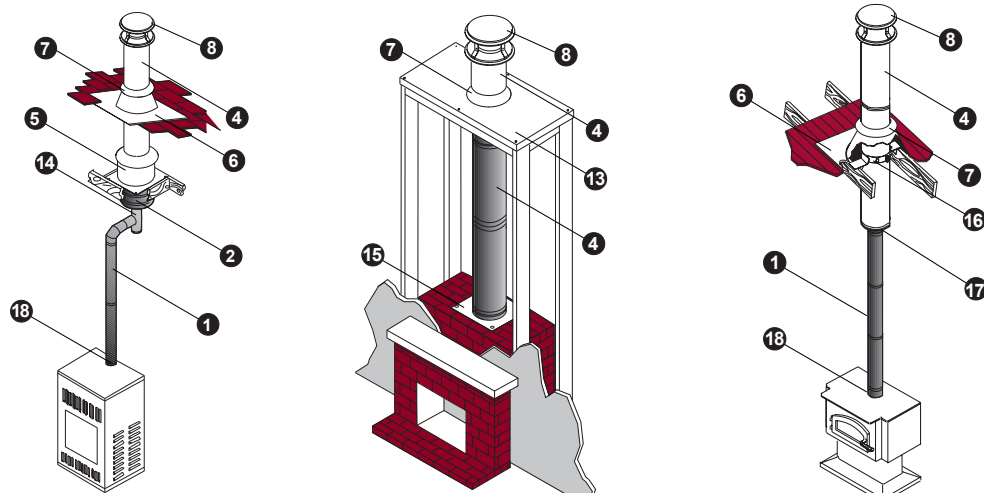
Cathedral Ceiling



Cathedral Ceiling w/
Support Box

Attic Offset

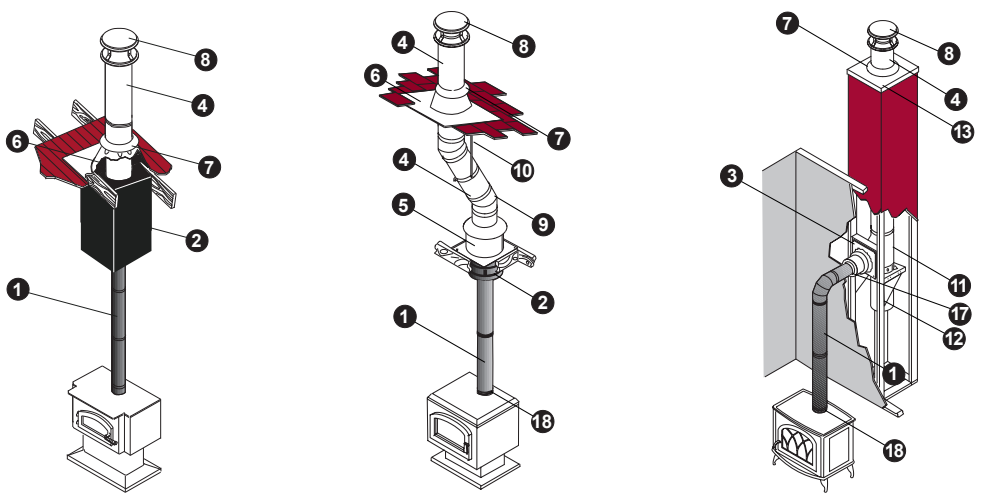
Through-the-Wall



Oil Furnace

Fireplace
(New or retrofit)

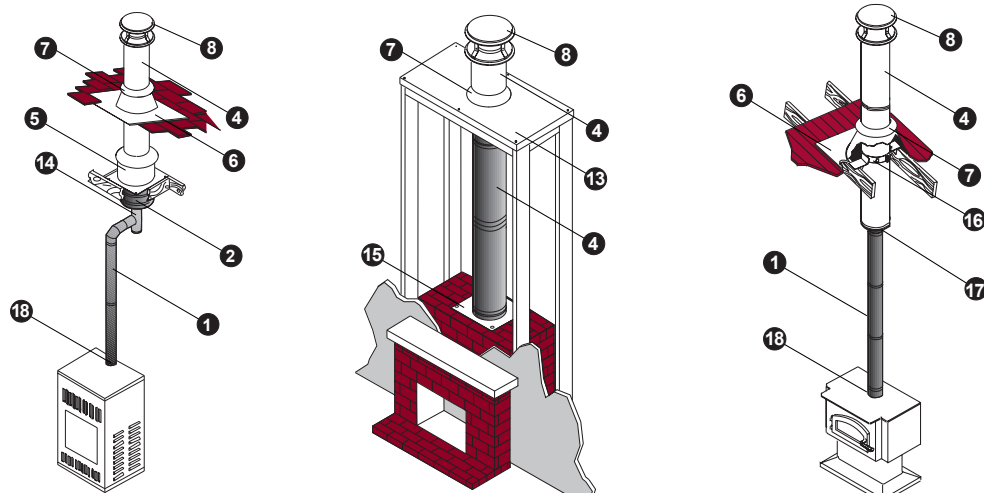
Cathedral Ceiling



Cathedral Ceiling w/
Support Box

Attic Offset

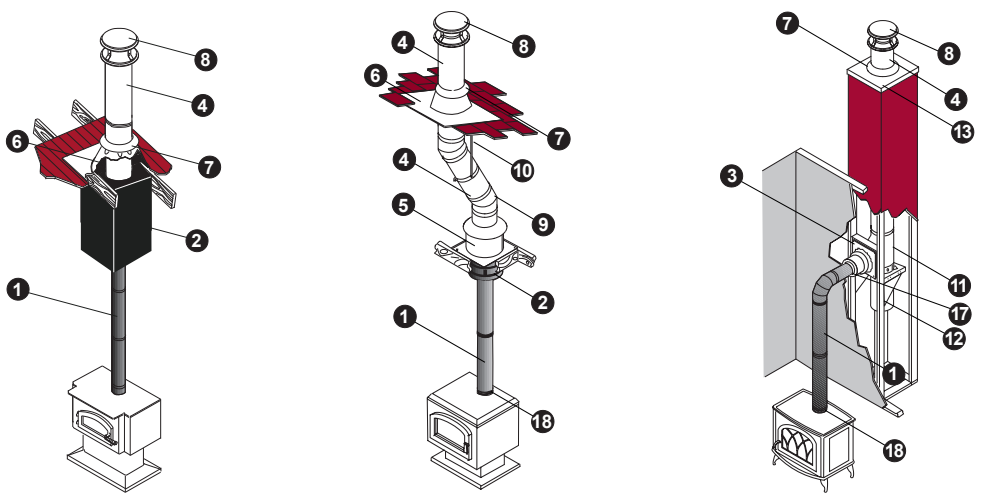
Through-the-Wall



Oil Furnace

Fireplace
(New or retrofit)

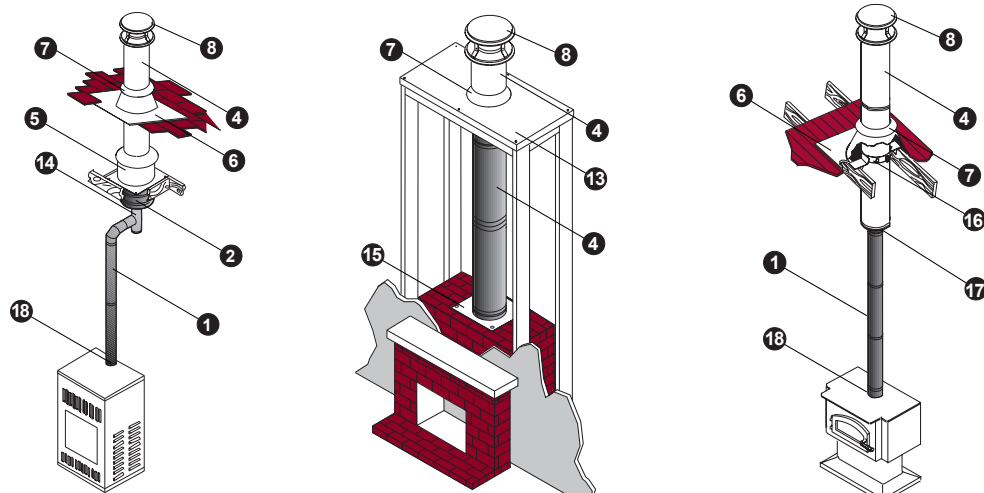
Cathedral Ceiling



Cathedral Ceiling w/
Support Box

Attic Offset

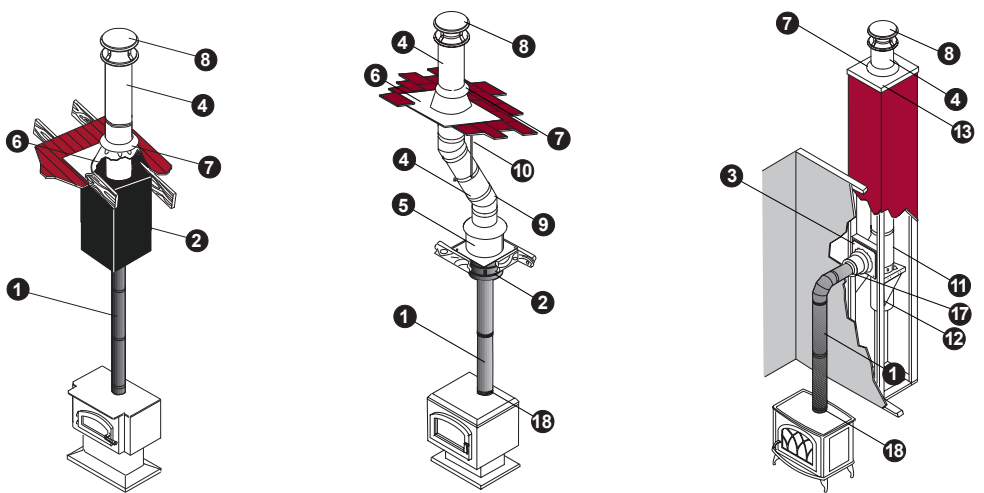
Through-the-Wall



Oil Furnace

Fireplace
(New or retrofit)

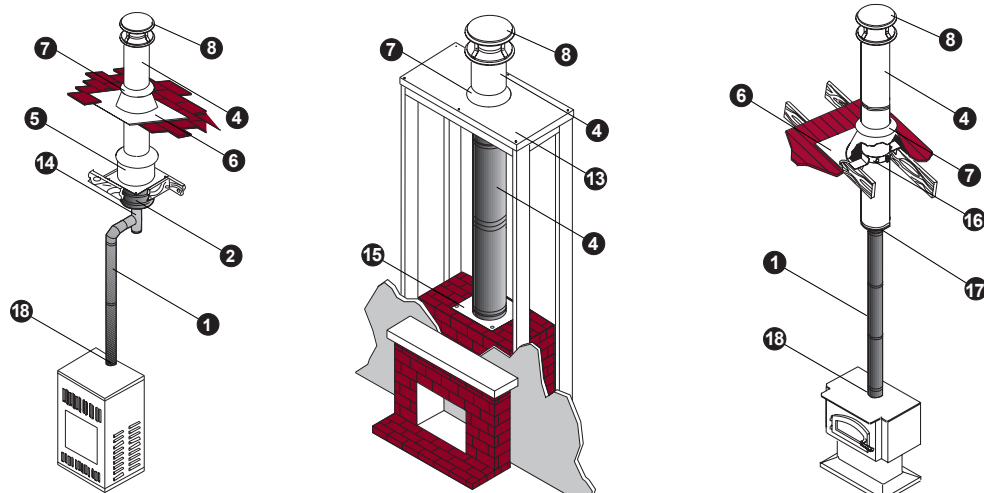
Cathedral Ceiling



Cathedral Ceiling w/
Support Box

Attic Offset

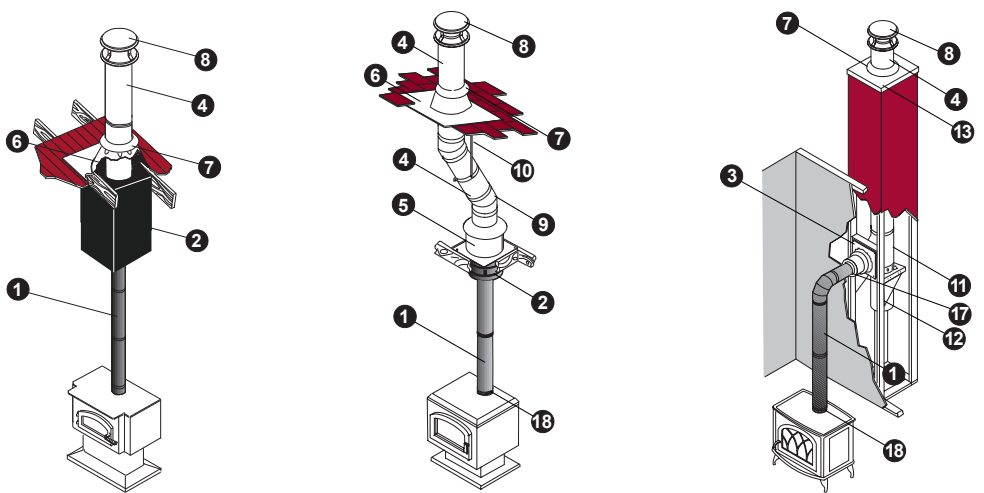
Through-the-Wall



Oil Furnace

Fireplace
(New or retrofit)

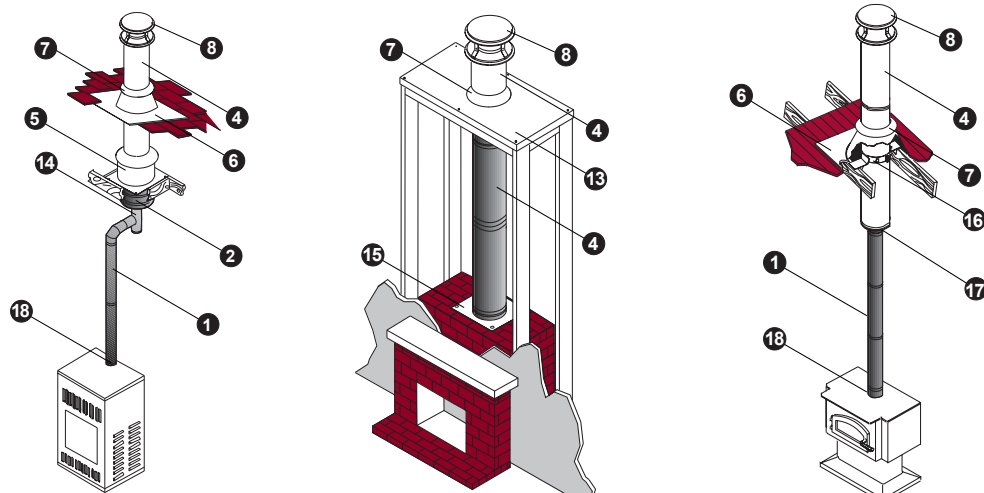
Cathedral Ceiling



Cathedral Ceiling w/
Support Box

Attic Offset

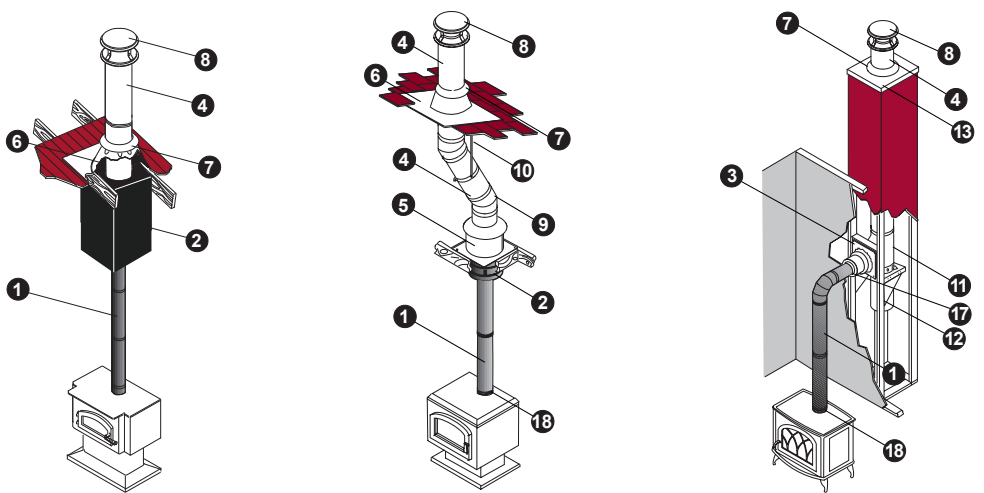
Through-the-Wall



Oil Furnace

Fireplace
(New or retrofit)

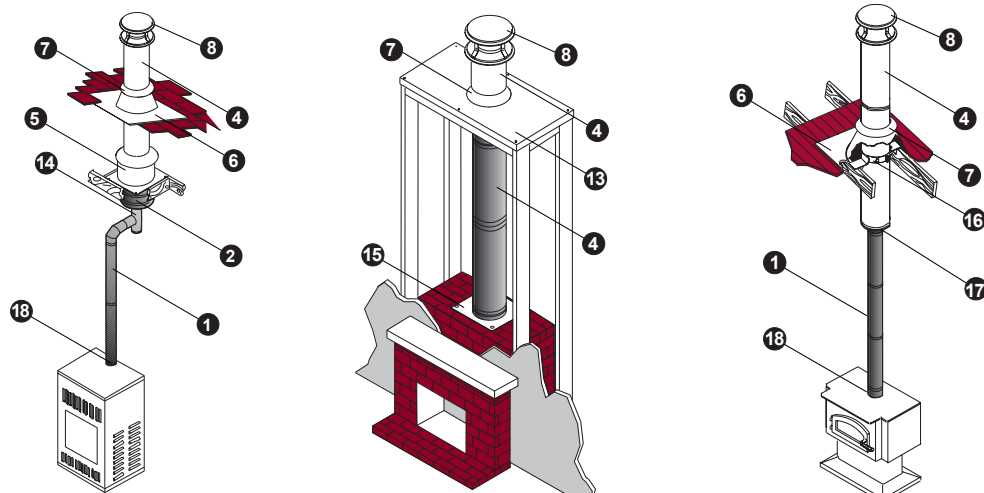
Cathedral Ceiling



Cathedral Ceiling w/
Support Box

Attic Offset

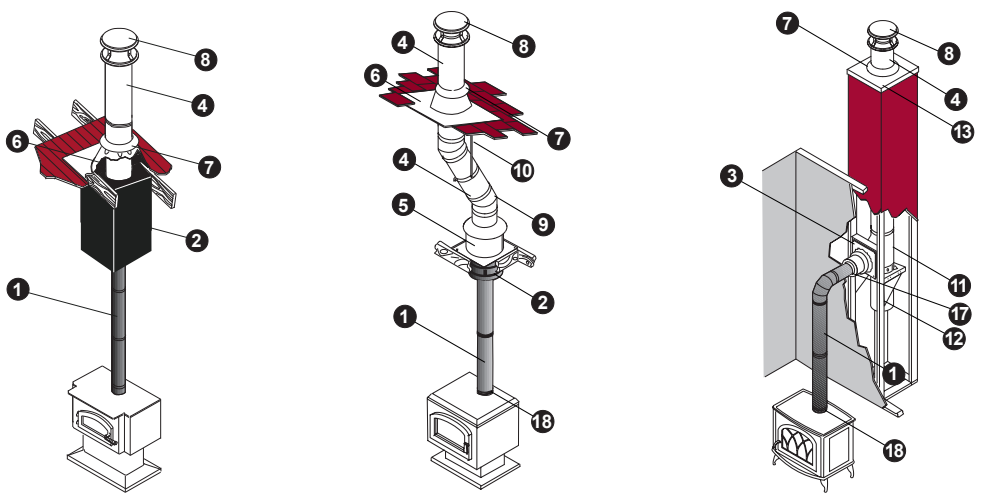
Through-the-Wall



Oil Furnace

Fireplace
(New or retrofit)

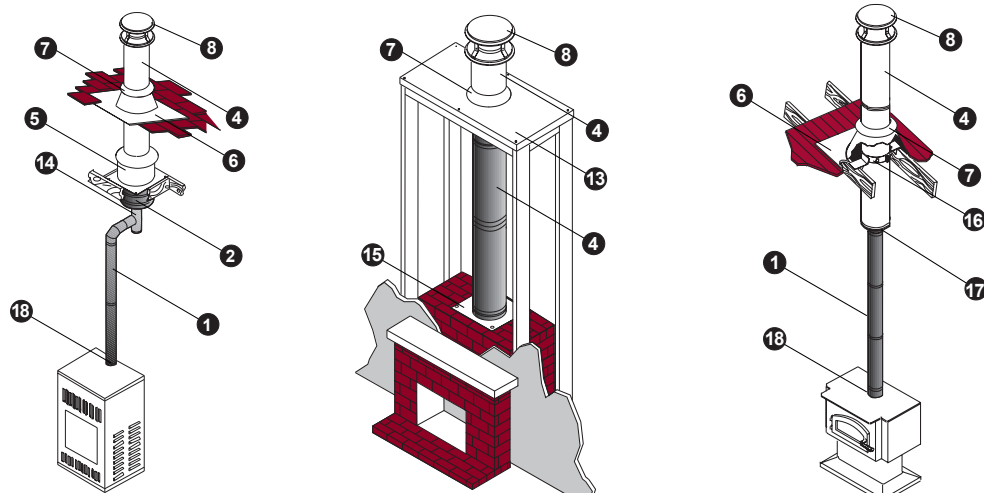
Cathedral Ceiling



Cathedral Ceiling w/
Support Box

Attic Offset

Through-the-Wall



Oil Furnace

Fireplace
(New or retrofit)

Applications

5"-8" DuraTech is a double-wall, all-fuel chimney system for use with wood stoves, fireplaces, furnaces, boilers, ranges, water heaters, or other appliances fueled by wood, oil, coal, or gas, and zero-clearance fireplaces that are factory-built.

Materials and Construction

5"-8" diameter pipe features inner wall of .020" 430 stainless steel. Outer wall options of .016" 430 stainless steel or .021" galvalume steel. A Thermal blanket insulation is encased between walls. Stainless steel end rings seal the pipe.

DuraTech features light weight insulation, twist-lock fittings, support boxes with factory installed starter sections, elbows with 360° swivel base, select black finish pipe lengths, five foot length pipe sections, and adjustable pipe lengths.

Clearances

2" clearance to combustibles.

Shrouds

UL Listed with Duravent shroud specifications. Information available online at www.duravent.com or call and request L157.

Diameters

5" - 8".

Listings

c-UL-us Listed to UL 103 HT and ULC 604 (MH7399) (Stainless steel outer wall required for oil-burning installations in Canada).



DuraTech 5"-8"

With a thermal blanket insulation encased between dual walls, DuraTech offers the optimum in safety and performance. It keeps the outer wall of the chimney cool while ensuring high flue gas temperatures for optimum draft performance.

The inner wall is 25% thicker than competitive chimneys for an extra margin of safety. No locking bands or mechanical fasteners required.

DuraTech's sleek 1" wall design provides for easy installations through 16" on-center framing. For tight installations, a Reduced Clearance Square Ceiling Support Box is available (6" diameter DuraTech only).

Designed for normal, continuous operation at 1000° F flue gas temperatures, DuraTech is subjected to rigorous and stringent high temperature requirements of the standard UL 103 HT.

Product List

	Chimney Pipe 5" to 8" diameters. Stainless steel inner walls. Outer-casing in galvalume or stainless steel. 6", 9", and 12" lengths available in black outer-casings.
	Adjustable Pipe Use to add length to chimney. Adjusts from 14"-22".
	Elbow Kit Kit includes: 2 elbows and 1 elbow strap. 15° or 30° elbows swivel on 360° at base (angles are not adjustable). Stainless steel inner wall. Outer-casing available in stainless steel and galvalume.
	Adjustable Elbow Strap Used to support the chimney where an offset is required.
	Square Ceiling Support Box Supports up to 60 ft. of chimney. Use with flat or cathedral ceilings, in 11", 24" or 36" lengths. Includes trim collar. Integrated flue extension connects to single or double wall stovepipe.
	Reduced Clearance Square Ceiling Support Box Supports up to 60 ft. of chimney. Fits between standard 12" on center joists and most manufactured home applications. Use with flat or cathedral ceilings, in 24" lengths. Includes trim collar. Integrated flue extension connects to single or double wall stovepipe.
	Square Ceiling Support Box w/ Insulation Shield Collar & Insulation Supports up to 60' of chimney. Integrated flue extension connects to single or double wall stovepipe. Integrated flue extension connects to single or double wall stovepipe.
	Reduced Square Ceiling Support Box w/ Collar Supports up to 60' of chimney. Integrated flue extension connects to single or double wall stovepipe.
	Round Ceiling Support Box 5 - 8" diameters support up to 60 ft. of chimney. Use only for a flat ceiling. Integrated flue extension connects to single or double wall stovepipe.
	Trim Collar for Round Support Box Conceals the gap between the round ceiling support box and the ceiling cutout. Round or square.
	Flat Ceiling Support Box Designed for installation in flat ceilings only. Supports up to 60 ft. of chimney.

	Adjustable Roof Support Supports DuraTech chimney and allows it to extend down from the ceiling. Adjustable to different roof pitches. Supports up to a maximum total chimney length of 30'.
	Support Box Rails Attach to outside of Square Ceiling Support Box to provide level, temporary support. Simplifies installation.
	Trim Collar for Roof Support Conceals gap between chimney pipe and ceiling cut-out
	Wall Thimble For passing chimney through a wall.
	Insulated Wall Thimble For passing chimney through a wall. Factory installed insulation.
	Tee w/ Cap For through-the-wall installations.
	Adjustable Tee Support Bracket Use as a wall support for tee and chimney. Use of straps is optional. Supports up to 50' of DuraTech Chimney without straps, and 70' of DuraTech Chimney with straps.
	Finishing Collar w/ Adapter Decorative piece. Finishes off the end of DuraTech pipe. Provides proper connection to DVL/DuraBlack stovepipes. No other adapter is needed.
	Anchor Plate Use to attach DuraTech Chimney to an appliance or masonry fireplace.
	Transition Anchor Plate Provides easy installation of DuraLiner to DuraTech chimney when used with a slip connector and hanger.
	Firestop Radiation Shield Install when chimney passes through a floor or ceiling without a support box.
	Attic Insulation Shield Required if chimney passes through an attic.
	Roof Radiation Shield Optional. Install where a chimney passes through a roof. Required for some zero clearance fireplaces.

	5" - 8" Pass Through Radiation Shield Use when an insulated chimney passes up through a ceiling. Suited for flat, vaulted, or cathedral applications. Use mostly on factory-built fireplaces. Adjustable from 24" up to a maximum of 36".
	Chase Top Flashing Encloses the top of a chase while providing ventilation air passage to the chase.
	Storm Collar Fits over flashing to provide a water tight seal.
	Adjustable Extended Roof Bracket Supports chimney above roof. Required every 5 ft. for 5 - 8" chimney.
	Roof Flashings Use with a Storm Collar to weather proof the penetration of chimney pipe through the roof. Flat or adjustable. Also available in dead soft aluminum.
	Universal Rubber Boot Flashing Kit Use where chimney passes through a corrugated roof. Fits 5", 6", 7", and 8" diameter chimneys. Rubber boot flashing fits roof pitches up to 12/12 (10/12 for 8" diameter).
	Chimney Cap Keeps rain, snow, and leaves out of chimney. Spark arrestor screen included.
	Spark Arrestor Use on inside of cap.
	DIKAPT Chimney Cap Use to address chimneys with downdraft issues. Diverts wind and rain to ensure flue gases are directed outward efficiently & effectively. Available in 5", 6", 7", 8" & 10" Diameters.
	Locking Band Extra security at pipe, elbow and tee joints. Optional.
	Adjustable Wall Strap Use to support chimney. 5 - 8" required every 8 ft.
	Chase Air Intake w/ Rodent Guard Allows required ventilation air into chase. Screen keeps rodents out.
	Snow Splitter Use to divert snow around chimney, vent, and roof flashing. Constructed of paintable galvanized material.

What Makes Us Different From The Rest?

DuraTech: The optimum in safety and performance for an all-fuel chimney.

- Wide variety of diameters available.
- Largest selection of lengths.
- Twist-lock fittings. No locking bands or mechanical fasteners required.
- Made by the industry leader with over 50 years of manufacturing.
- Thermal insulation blanket encased between two walls keeps the outer wall cool while ensuring high flue gas temperatures for optimum draft performance.
- Available with stainless or galvalume outer walls.
- Limited Lifetime Warranty

