

duravent™

CHANGING TO HIGH EFFICIENCY? UTILIZE YOUR EXISTING VENT!

FasNSeal® 80/90 is a unique system that exhausts 90+ AFUE condensing appliances with Type B atmospheric units, utilizing the existing vent.

Using your preexisting common vent, our cap improves the operation of both the remaining atmospheric appliance, and the new condensing unit, while not disturbing finished space during installation.

Finally, a solution when you need to deal with narrow lot lines, clearance to window and door openings, or when side wall venting just isn't practical.

Features and Benefits

- Takes up no additional building envelope space, no additional building penetrations, and does not disturb finished internal spaces.
- Simple install, compatible with Duravent® PolyPro® or FasNSeal vent system for a listed and approved appliance connection. Consult appliance manual for installation specifics.
- Eliminates condensing sidewall building moisture concerns and flue management.
- Keeps 90+ AFUE furnace flue and termination warm, reducing icing.
- Allows superior vertical termination option.
- Offers superior flow performance with a smooth stainless inner wall and no flow de-rate for flex.

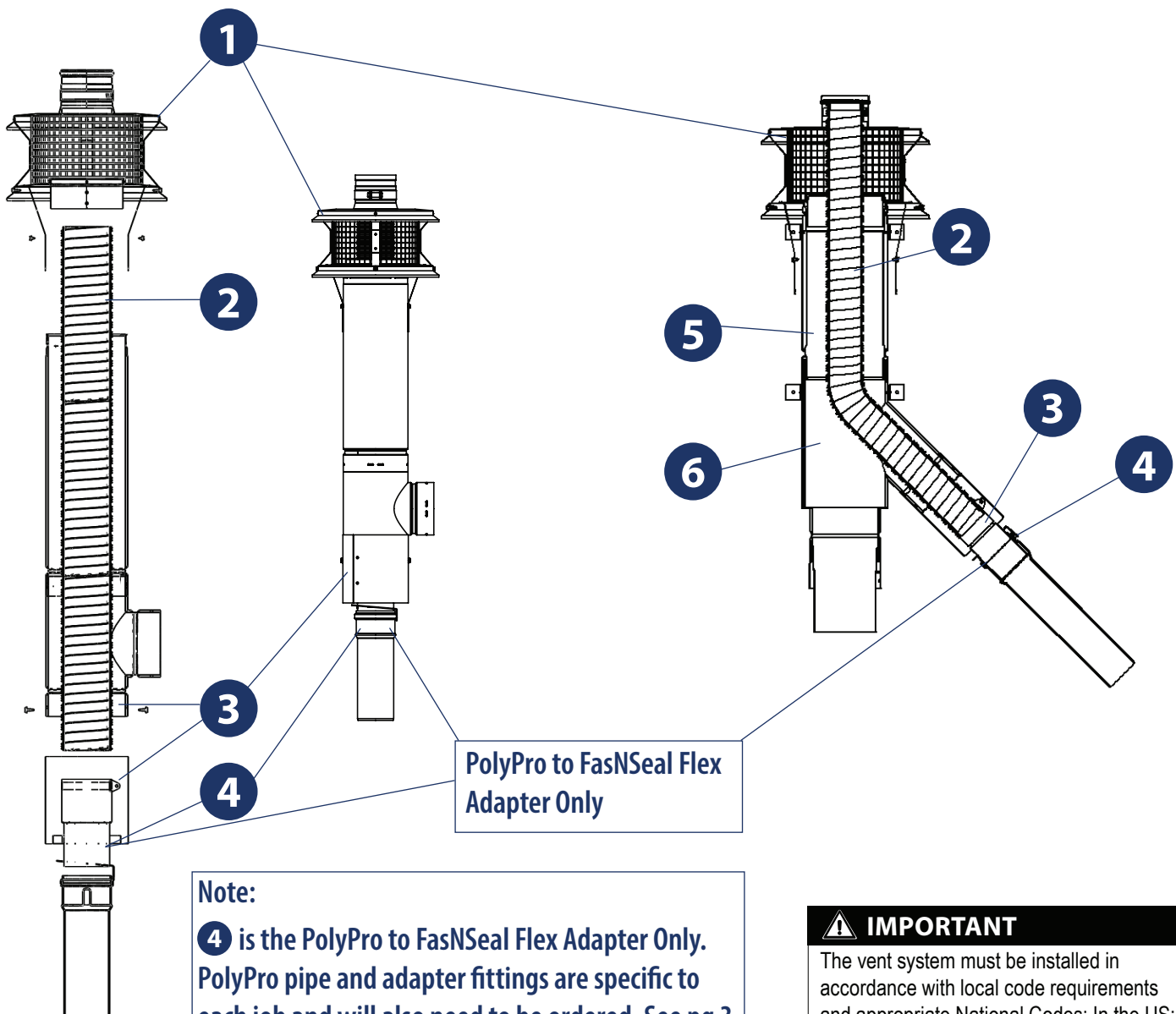


UL
LISTED
MH6357

Annular Space - Effective Remaining B Vent Diameter				
	2" Cat IV Liner Dia	3" Cat IV Liner Dia	4" Cat IV Liner Dia	5" Cat IV Liner Dia
5" B Vent	4"	3"	N/A	N/A
6" B Vent	5"	4"	4"	N/A
7" B Vent	6"	5"	5"	4"
8" B Vent	6"	6"	6"	5"

STRAIGHT UP INSTALLATION

WYE INSTALLATION



Note:
4 is the PolyPro to FasNSeal Flex Adapter Only. PolyPro pipe and adapter fittings are specific to each job and will also need to be ordered. See pg 3.

⚠ IMPORTANT
 The vent system must be installed in accordance with local code requirements and appropriate National Codes: In the US: NFPA 54 / ANSI Z223.1 National Fuel Gas Code or the International Fuel Gas Code.



1

Description	Order #	Stock #
Vertical Terminations		
05"x2" Combo Cap	FSCC52	810010327
05"x3" Combo Cap	FSCC53	810010328
06"x2" Combo Cap	FSCC62	810010329
06"x3" Combo Cap	FSCC63	810010330
06"x4" Combo Cap	FSCC64	810010331
07"x2" Combo Cap	FSCC72	810010332
07"x3" Combo Cap	FSCC73	810010333
07"x4" Combo Cap	FSCC74	810010334
07"x5" Combo Cap	FSCC75	810012622
08"x2" Combo Cap	FSCC82	810010335
08"x3" Combo Cap	FSCC83	810010336
08"x4" Combo Cap	FSCC84	810010337
08"x5" Combo Cap	FSCC85	810012623

2

FasNSeal Flex		
02"x20' FasNSeal Flex	2FSFLEX-20	810012522
02"x25' FasNSeal Flex	2FSFLEX-25	810012523
02"x30' FasNSeal Flex	2FSFLEX-30	810012524
02"x35' FasNSeal Flex	2FSFLEX-35	810012525
02"x50' FasNSeal Flex	2FSFLEX-50	810012558
03"x20' FasNSeal Flex	3FSFLEX-20	810003100
03"x25' FasNSeal Flex	3FSFLEX-25	810003101
03"x30' FasNSeal Flex	3FSFLEX-30	810003102
03"x35' FasNSeal Flex	3FSFLEX-35	810003103
04"x20' FasNSeal Flex	4FSFLEX-20	810003151
04"x25' FasNSeal Flex	4FSFLEX-25	810003152
04"x30' FasNSeal Flex	4FSFLEX-30	810003153
04"x35' FasNSeal Flex	4FSFLEX-35	810003154
05"x20' FasNSeal Flex	5FSFLEX-20	810003208
05"x25' FasNSeal Flex	5FSFLEX-25	810003209
05"x30' FasNSeal Flex	5FSFLEX-30	810003210
05"x35' FasNSeal Flex	5FSFLEX-35	810003211

4

PP to FNS Flex Adapter		
2" PP to FNS Flex Adapter	FSASMM-PP-2	810009850
3" PP to FNS Flex Adapter	FSASMM-PP-3	810010261
4" PP to FNS Flex Adapter	FSASMM-PP-4	810010262
5" PP to FNS Flex Adapter	FSASMM-PP-5	810010263

3

Description	Order #	Stock #
B-Vent Firestop		
3x2 B-Vent Firestop	FSFS-GVPP32	810012604
4x2 B-Vent Firestop	FSFS-GVPP42	810012605
4x3 B-Vent Firestop	FSFS-GVPP43	810012606
5x2 B-Vent Firestop	FSFS-GVPP52	810012607
5x3 B-Vent Firestop	FSFS-GVPP53	810012608
5x4 B-Vent Firestop	FSFS-GVPP54	810012609
6x2 B-Vent Firestop	FSFS-GVPP62	810012610
6x3 B-Vent Firestop	FSFS-GVPP63	810012611
6x4 B-Vent Firestop	FSFS-GVPP64	810012612
6x5 B-Vent Firestop	FSFS-GVPP65	810012613

5

Universal Female Adapter		
3" Female Adapter	3BVAF	810017784
4" Female Adapter	4BVAF	810017855
5" Female Adapter	5BVAF	810017944
6" Female Adapter	6BVAF	810018032
7" Female Adapter	7BVAF	810018122
8" Female Adapter	8BVAF	810018192

6

Double Wall Wye 45° Branch		
4"x4"x3" Double Wall Wye	4BVY43	810017896
4"x4"x4" Double Wall Wye	4BVY44	810017901
4"x3"x4" Double Wall Wye	4BVY34	810017888
5"x3"x4" Double Wall Wye	5BVY34	810017961
5"x4"x4" Double Wall Wye	5BVY44	810017972
5"x4"x5" Double Wall Wye	5BVY45	810017985
6"x3"x4" Double Wall Wye	6BVY34	810018040
6"x4"x3" Double Wall Wye	6BVY43	810018053
6"x4"x4" Double Wall Wye	6BVY44	810018055
6"x4"x5 Double Wall Wye	6BVY45	810018064
6"x3"x5" Double Wall Wye	6BVY35	810018050
6"x4"x6" Double Wall Wye	6BVY46	810018077

LIMITED LIFETIME WARRANTY

LISTINGS

Duravent's FNS 80/90 Combination Cat I and Cat IV gas vent system is designed and UL listed for use with approved

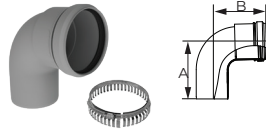
Duravent / Security Chimneys special gas vent components only! Listed to applicable portions of ULC S636/UL1738, UL1777, and UL441.



LISTED
MH6357

How to Connect a Category IV Appliance to the FasNSeal 80/90 System Using PolyPro

PolyPro 90° Elbow



SIZE	ORDER #	STOCK #	A	B
2" 60mm	2PPS-E90L	810009677	4" 100mm	4" 100mm
3" 80mm	3PPS-E90L	810009658	4 5/16" 110mm	4 5/16" 110mm

PolyPro 45° Elbow



SIZE	ORDER #	STOCK #	A	B
2" 60mm	2PPS-E45L	810009675	2 7/8" 72.5mm	2 1/16" 69mm
3" 80mm	3PPS-E45L	810009703	2 7/8" 73mm	2 7/8" 73mm

PolyPro Single Wall Pipe Lengths

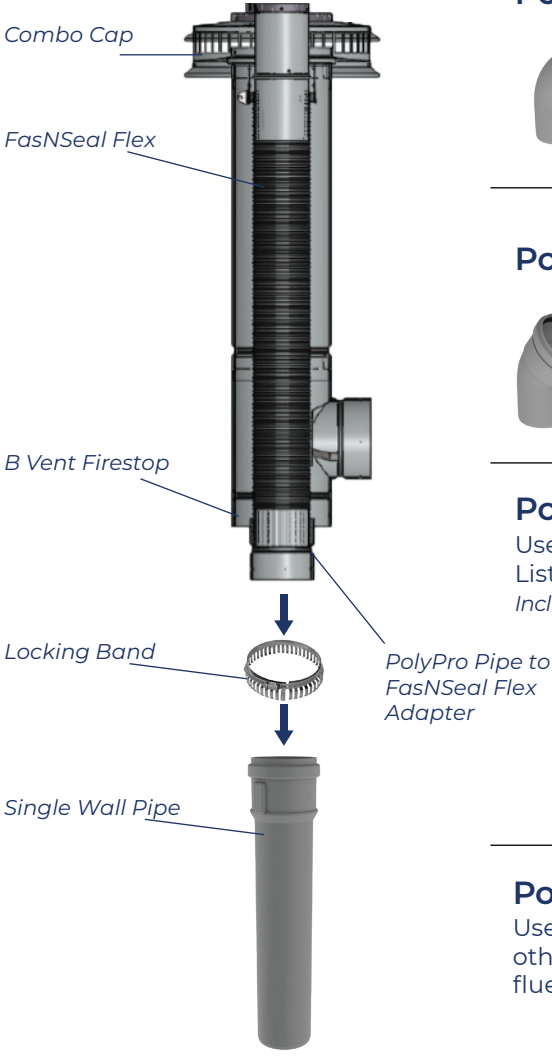
Use to vent condensing appliances. 2" (60mm) of overlap at the joint. Listed to ULC S636. Locking bands are required at all join connections. Includes 1 Locking Band per each length.

SIZE	12" 305mm		36" 914mm		72" 1829mm	
	ORDER #	STOCK #	ORDER #	STOCK #	ORDER #	STOCK #
2" 60mm	2PPS-12L	810009667	2PPS-36L	810009669	2PPS-72L	810009671
3" 80mm	3PPS-12L	810009657	3PPS-36L	810009696	3PPS-72L	810009698

PolyPro Appliance Adapter for PVC Coupler

Use to adapt rigid PolyPro pipe length to the inside of the PVC/CPVC coupler of other plastic/metal appliance outlet. Must be used with Adapter Connector for flue gas. Includes 1 Adapter Connector clamp.

SIZE	ORDER #	STOCK #
2" 60mm	2PPS-ADL	810009672
3" 80mm	3PPS-ADL	810009699



Appliance Adapter for PVC Coupler

Furnace/Boiler Vent Connection

Note:
2PPS-ADL and 3PPS-ADL will slip inside a **Furnace/Boiler Vent Connection** or **PVC/CPVC Coupler**



duravent[™]

www.duravent.com | 800-835-4429
DV_FasNSeal_SS002E_03/2026

duravent[™]
GROUP
www.duraventgroup.com



© 2026 The Duravent Group. All rights reserved.