

duraventTM

DuraTech[®] DT

5" - 8" All-Fuel, Double-Wall Chimney System



TABLE OF CONTENTS

DuraTech 5"-8" Specifications.....	4
Typical Installations	5
Planning Your Installation.....	6
DuraTech 5"-8" Lengths and Components	7-21
Elbow Offset Chart for 5"-8" DuraTech	8

What makes us different from the rest?

DuraTech: The optimum in safety and performance for an all-fuel chimney.



DuraTech Feature	Benefit
5" through 8" diameter selection	Gives the installer the diameters needed to meet appliance requirements.
Widest variety of lengths - 6", 9", 12", 18", 24", 36", 48" and 60" pipe lengths	Gives the installer the greatest variety of lengths to reach the desired height with ease and least amount of pipe sections.
Twist Lock End Rings	Quick, easy, secure connection. No locking bands required.
Thickest Stainless Steel Inner Wall	Adds strength, durability and dependability.
1" Double Wall Insulated Pipe	Small footprint allows easy placement within standard framing construction.
1" Ceramic Thermal Blanket Insulation	Ensures complete and consistent insulation coverage between inner and outer walls.

DuraTech Feature	Benefit
Factory Installed Starter Section in the Support Box	Allows the installer a safe, quick and easy connection of chimney to the support box.
Wide variety of professional-grade support solutions	We have you covered for flat, vaulted/cathedral or through-the-wall installations.
Reduced Clearance Support Box Option for 6" diameter	Allows for a smaller framed opening while maintaining required clearances.
Ceiling Supports with Integrated Flue Extension	Accepts both single-wall or double-wall stovepipe without requiring a separate adapter.
15 and 30 Degree Elbows come with swivel base	Allows an installer to line up the elbow without unlocking and repositioning the elbow, saving time and money.
15 and 30 Degree Elbows come in kits	Kit includes paired set of elbows with elbow strap for installer's convenience.

DuraTech Feature	Benefit
Adjustable Tee and Wall Support Brackets	Clearances can be adjusted even with the chimney in place.
Attic Insulation Shield	Maintains clearances and prevents insulation from coming into direct contact with the chimney.
Stainless Steel Chimney Caps	Removeable for inspection and maintenance of chimney.
Shroud Specifications	Shroud specs allow the installer to create a UL listed shroud to hide the termination at the top of the chase for safest installation.
Limited Lifetime Warranty	Gives the homeowner the greatest peace of mind in a quality installation.

Specifications

Applications

5"-8" DuraTech is a double wall, all-fuel chimney system for use with wood stoves, furnaces, boilers, water heaters, or other appliances fueled by wood, oil, gas, coal, and factory-built and masonry fireplaces.

Materials and Construction

5"-8" diameter pipe features inner wall of .020" 430 stainless steel. Outer wall options of .016" 430 stainless steel or .021" galvalume steel. A ceramic thermal blanket insulation is encased between walls. Stainless steel end rings seal the pipe.

DuraTech features light weight insulation, twist-lock fittings, support boxes with factory installed starter sections, elbows with 360° swivel base, select black finish pipe lengths, five-foot length pipe sections, and adjustable pipe lengths.

Clearances

2" clearance to combustibles.

Shrouds

UL Listed with Duravent shroud specifications. Information available online at www.duravent.com or call and request L157.

Diameters

5"-8"
For larger sizes from 10" to 24", see DuraTech LDC.

Listings

c-UL-us Listed to UL 103 Type HT and CAN/ULC-604 (MH7399)
(Stainless steel outer wall required for oil-burning installations in Canada).



UL 103 HT and CAN/ULC-604 System

DuraTech 5"-8"

With a ceramic thermal blanket insulation encased between dual walls, DuraTech offers the optimum in safety and performance. It keeps the outer wall of the chimney cool while ensuring high flue gas temperatures for optimum draft performance.

The inner wall is 25% thicker than competitor's chimneys for an extra margin of safety. No locking bands or mechanical fasteners required.

DuraTech's sleek 1" wall design provides for easy installations through 16" on-center framing. For tight installations, a Reduced Clearance Square Ceiling Support Box is available (6" diameter DuraTech only).

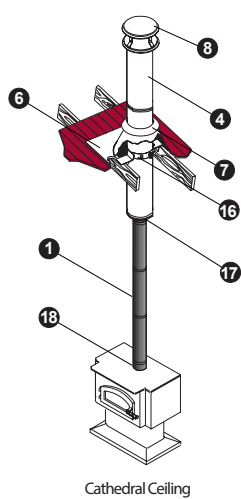
Designed for normal, continuous operation at 1000°F flue gas temperatures, DuraTech is subjected to rigorous and stringent high temperature requirements of the UL 103 Type HT standard, including one hour at 1400°F, plus three ten-minute chimney fire tests at 2100°F.



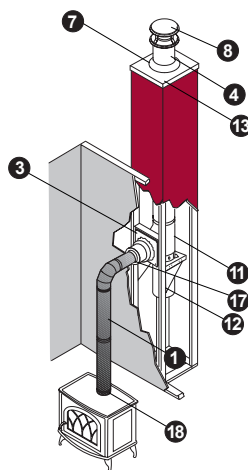
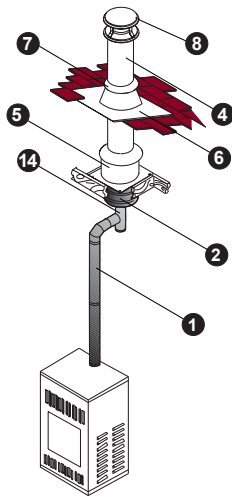
Typical Installations For 5"- 8" DuraTech

Installation Key

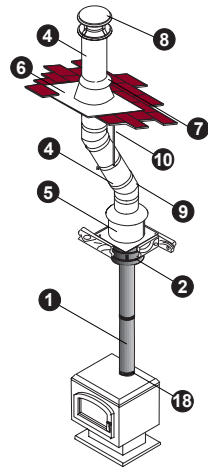
1	DVL or DuraBlack	10	Elbow Strap
2	Ceiling Support	11	Tee with Tee Cap
3	Wall Thimble	12	Tee Support
4	Chimney Pipe	13	Chase Top Flashing
5	Attic Insulation Shield	14	Connector Pipe Tee
6	Flashing	15	Anchor Plate or Anchor Plate with Damper
7	Storm Collar	16	Roof Support
8	Chimney Cap	17	Finishing Collar
9	Elbow	18	DVL Adapter (w/ or w/o damper)



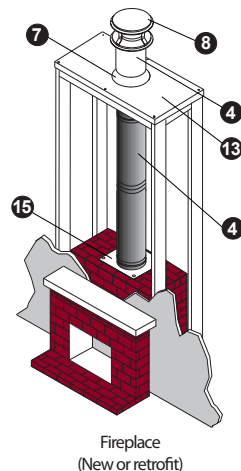
Cathedral Ceiling



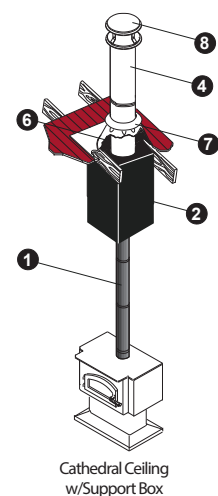
Through-The-Wall



Attic Offset



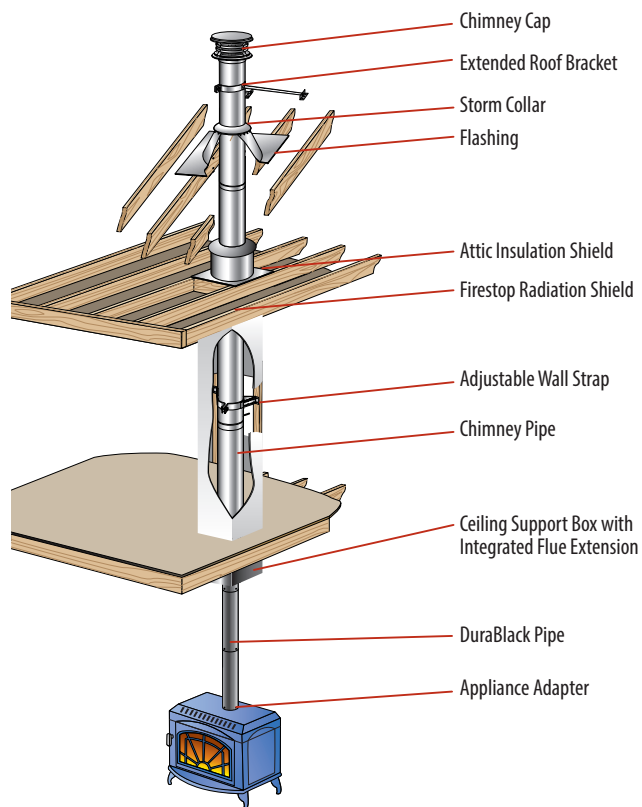
Fireplace
(New or retrofit)



Cathedral Ceiling
w/Support Box

Refer to our Typical Installation drawings to select the appropriate component parts for your installation.

- Wall Thimble must be installed with an appropriate length of chimney pipe for all horizontal through-the-wall installations. To accommodate thicker walls, the telescoping pieces of the Wall Thimble can be separated, and a field-fabricated extension may be installed.
- Attic Insulation Shield must be used in all installations that pass through an attic, regardless of whether the attic is insulated or not.
- Firestop Radiation Shield must be used when a chimney passes through a floor or ceiling without a support box.



Planning Your Installation

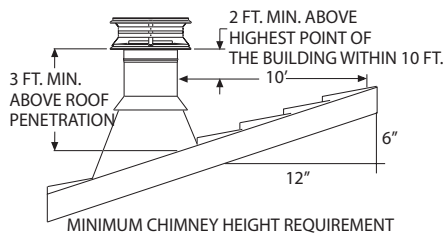


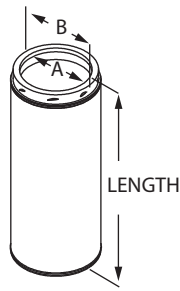
Figure 1

The following recommendations are general guidelines to assist in the layout and selection of the chimney components needed for your installation. Always follow Duravent installation instructions, found with the cap or support, when installing your chimney system. Installation instructions can be viewed online at www.duravent.com.

- The diameter of the chimney should match the outlet size of the appliance. A properly sized chimney results in improved draft and lessens creosote formation. Select the chimney and either DVL or DuraBlack connector stovepipe with the same size diameter as the appliance flue outlet. For masonry fireplace installations, refer to the sizing chart in this catalog.
- Determine if the installation is a through-the-roof installation or a through-the-wall installation.
- Install the chimney in the interior of the structure whenever possible. A cold, exterior chimney will produce less draft, generate more creosote, and require more maintenance.
- When possible, avoid offsets that serve to restrict the natural draft. A straight vertical installation is more efficient and less likely to develop creosote. If an offset is required to avoid rafters or other obstructions, measure the horizontal distance required and the vertical height available. Both 15° and 30° elbows are available. Elbows have a 360° swivel base to allow orientation of elbow direction only. Elbows are fixed at 15° or 30°. A maximum of two offsets (four elbows) in a single installation are permitted. Refer to the offset table in the back section of this catalog. At least one Elbow Strap is required for each offset. Elbow Straps ensure adequate support.
- Determine the minimum chimney height above the roof line. Building codes require a minimum of 3' above the roof penetration and at least 2' higher than any portion of a building within 10'. See figure 1. The termination cap is installed above that point. If the chimney extends 5' or more above the roof penetration an extended roof bracket is required. An additional roof bracket is needed every 5'.
- Measure the roof pitch. For example, a 6/12 pitch has a vertical rise of 6" over a horizontal distance of 12". Select the appropriate flashing.
- Determine the total length of chimney and stovepipe required for the installation. To calculate the installed length of 5"-8" DuraTech pipe, subtract 1 1/4" per joint. Subtract 1 1/4" per joint of DuraBlack stovepipe. Subtract 1 1/2" per joint of DVL stovepipe. Minimum chimney height, at sea level, of straight vertical chimney is 10' to 15' above the appliance outlet. Higher elevations, or the use of elbows or a tee, will require approximately 30% to 60% more height to provide an adequate draft.
- For a UL approved shroud, see the DuraTech Shroud Installation Instructions (L157). View online at www.duravent.com, under the Instructions tab for DuraTech 5"-8".
- Be fire safe. Maintain at least 2" clearance to combustibles. Follow local building codes and have your chimney inspected by a certified professional.

DuraTech® 5"-8"

Chimney Pipe



To calculate installed length of 5", 6", 7", or 8" DuraTech Chimney, subtract 1 1/4" from each joint overlap of chimney pipe. Allow a minimum of 2" air space to combustibles when installing DuraTech Chimney.

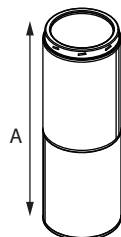
Note: Short, painted Chimney Pipe Sections are intended for interior use with through-the-wall installations; or cathedral ceiling applications where the chimney utilizes a roof support and Finishing Collar.

5" - 8" Diameters - Available in stainless steel (5"-8" SS) or galvalume (6"-8" GA) outer casing and stainless steel inner wall with twist-lock connections.

DuraTech 24", 36", 48", and 60" chimney lengths available with additional protective carton filler (CF) for shipping.

SIZE	5"		6"		7"		8"	
	ORDER #	STOCK #	ORDER #	STOCK #	ORDER #	STOCK #	ORDER #	STOCK #
A	5"		6"		7"		8"	
B	7"		8"		9"		10"	
LENGTH								
6" GA	--	--	6DT-06	810000067	7DT-06	810000141	8DT-06	810000209
6" BLACK	--	--	6DT-06B	810000068	7DT-06B	810000142	8DT-06B	810000210
6" SS	5DT-06SS	810000001	6DT-06SS	810000069	7DT-06SS	810000143	8DT-06SS	810000211
9" GA	--	--	6DT-09	810000070	7DT-09	810000144	8DT-09	810000212
9" BLACK	--	--	6DT-09B	810000071	7DT-09B	810000145	8DT-09B	810000213
9" SS	5DT-09SS	810000003	6DT-09SS	810000072	7DT-09SS	810000146	8DT-09SS	810000214
12" GA	--	--	6DT-12	810000073	7DT-12	810000147	8DT-12	810000215
12" BLACK	--	--	6DT-12B	810000074	7DT-12B	810000148	8DT-12B	810000216
12" SS	5DT-12SS	810000005	6DT-12SS	810000075	7DT-12SS	810000149	8DT-12SS	810000217
18" GA	--	--	6DT-18	810000076	7DT-18	810000150	8DT-18	810000218
18" SS	5DT-18SS	810000006	6DT-18SS	810000077	7DT-18SS	810000151	8DT-18SS	810000219
24" GA	--	--	6DT-24	810000078	7DT-24	810000152	8DT-24	810000220
24" GA	--	--	6DT-24CF	810000079	7DT-24CF	810000153	8DT-24CF	810000221
24" SS	5DT-24SS	810000008	6DT-24SS	810000080	7DT-24SS	810000154	8DT-24SS	810000222
24" SS	5DT-24SSCF	810000009	6DT-24SSCF	810000081	7DT-24SSCF	810000155	8DT-24SSCF	810000223
36" GA	--	--	6DT-36	810000082	7DT-36	810000156	8DT-36	810000224
36" GA	--	--	6DT-36CF	810000083	7DT-36CF	810000157	8DT-36CF	810000225
36" SS	5DT-36SS	810000010	6DT-36SS	810000084	7DT-36SS	810000158	8DT-36SS	810000226
36" SS	5DT-36SSCF	810000011	6DT-36SSCF	810000085	7DT-36SSCF	810000159	8DT-36SSCF	810000227
48" GA	--	--	6DT-48	810000086	7DT-48	810000160	8DT-48	810000228
48" GA	--	--	6DT-48CF	810000087	7DT-48CF	810000161	8DT-48CF	810000229
48" SS	5DT-48SS	810000012	6DT-48SS	810000088	7DT-48SS	810000162	8DT-48SS	810000230
48" SS	5DT-48SSCF	810000013	6DT-48SSCF	810000089	7DT-48SSCF	810000163	8DT-48SSCF	810000231
60" GA	--	--	6DT-60CF	810000090	7DT-60CF	810000164	8DT-60CF	810000232
60" SS	5DT-60SSCF	810000014	6DT-60SSCF	810000091	7DT-60SSCF	810000165	8DT-60SSCF	810000233

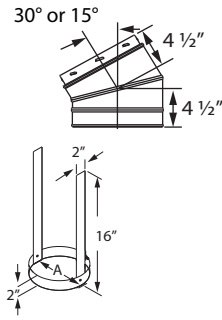
Adjustable Pipe



Use to add length to DuraTech chimney where exact length is needed.

SIZE	6"	8"
A	14"-22"	
ORDER #	6DT-21TASS	8DT-21TASS
STOCK #	810000092	810000234

Elbow Kit

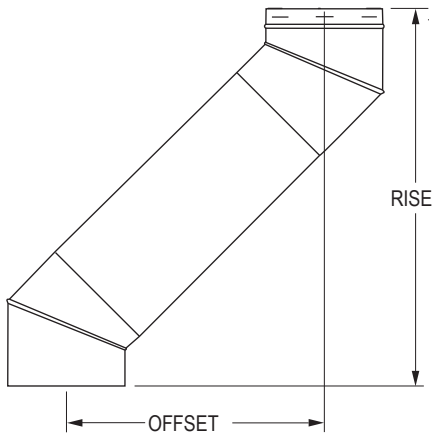


Elbow Kit includes: 2 Elbows and 1 Elbow Strap. Use for offsets around obstructions such as rafters, ridgepoles, or joists. May use two pair of elbows, if needed. Offsets greater than 30° are not permitted in accordance to UL 103 standards. Elbows swivel 360° at base (angles are not adjustable). A pair of elbows is required to return an offset chimney back to vertical. Available in stainless steel (5"-8" SS) or galvalume (6"-8" GA) outer wall.

STRAP SIZE	5" & 7"	6" & 8"
A	7", 9"	8", 10"

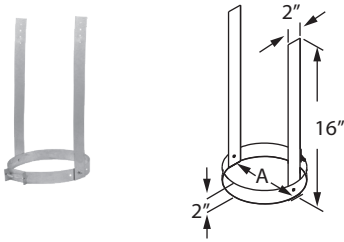
15°		5"	6"	7"	8"	30°		5"	6"	7"	8"
GA	ORDER #	--	6DT-E15K	7DT-E15K	8DT-E15K	GA	ORDER #	--	6DT-E30K	7DT-E30K	8DT-E30K
	STOCK #	--	810000093	810000166	810000235		STOCK #	--	810000095	810000168	810000237
SS	ORDER #	5DT-E15KSS	6DT-E15KSS	7DT-E15KSS	8DT-E15KSS	SS	ORDER #	5DT-E30KSS	6DT-E30KSS	7DT-E30KSS	8DT-E30KSS
	STOCK #	810000015	810000094	810000167	810000236		STOCK #	810000016	810000096	810000169	810000238

Elbow Offset Chart For 5"- 8" DuraTech



SIZE		5", 6", 7", 8" Diameter	
Elbow Angle from Vertical	Chimney Length Between Elbows	Offset inches	Rise inches
15°	0"	2"	16 1/2"
15°	6"	3 1/4"	21 1/4"
15°	9"	4"	24 1/8"
15°	12"	4 3/4"	27"
15°	18"	6 1/4"	32 3/4"
15°	24"	8"	38 1/2"
15°	36"	11"	50 1/4"
15°	48"	14 1/4"	61 3/4"
15°	48" + 6"	15 1/2"	66 1/2"
15°	48" + 9"	16 1/4"	69 3/8"
15°	48" + 12"	17"	72 1/4"
15°	48" + 18"	18 1/2"	78"
15°	48" + 24"	20"	83 3/4"
30°	0"	4"	15 3/4"
30°	6"	6 1/4"	20"
30°	9"	7 3/4"	22 5/8"
30°	12"	9 1/4"	25 1/4"
30°	18"	12 1/4"	30 1/4"
30°	24"	15 1/4"	35 1/2"
30°	36"	21 1/4"	46"
30°	48"	27 1/4"	56 1/4"
30°	48" + 6"	29 3/4"	60 1/2"
30°	48" + 9"	31 1/4"	63 1/8"
30°	48" + 12"	32 3/4"	65 3/4"
30°	48" + 18"	35 3/4"	71"
30°	48" + 24"	38 3/4"	76"

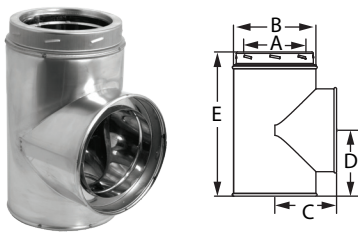
Adjustable Elbow Strap



Use to prevent excessive weight on the elbows by supporting the weight of the chimney. Required to be installed between two elbows in offset installations. Multiple elbow straps may be required for offset installations. Refer to installation instructions.

SIZE	5" & 7"	6" & 8"
A	7", 9"	8", 10"
ORDER #	5DT-AES	6DT-AES
STOCK #	810007985	810007986

Tee w/ Cap



Use for through-the-wall installations. Includes removable tee cap for easy chimney cleaning or inspection. Stainless Steel inner wall and available with Stainless Steel (SS) or Galvalume (GA) outer wall. See installation instructions for proper location and installation of Tee.

SIZE		5"	6"	7"	8"
A		5"	6"	7"	8"
B		7"	8"	9"	10"
C		5 1/2"	6 1/8"	6 1/2"	7 1/8"
D		6"	6 1/2"	7 1/2"	7 3/4"
E		12 3/8"	13 7/8"	14 1/4"	15 1/4"
GA	ORDER #	--	6DT-ST	7DT-ST	8DT-ST
	STOCK #	--	810000113	810000186	810000254
SS	ORDER #	5DT-STSS	6DT-STSS	7DT-STSS	8DT-STSS
	STOCK #	810000036	810000114	810000187	810000255

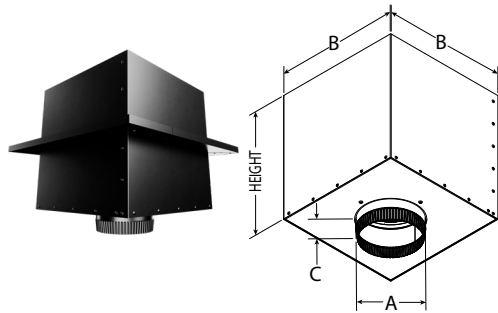
Locking Band



Use for extra security at pipe, elbow, and tee joints. Optional.

SIZE	5"	6"	7"	8"
A	7"	8"	9"	10"
ORDER #	5DT-LB	6DT-LB	7DT-LB	8DT-LB
STOCK #	810000051	810000136	810000204	810000277

Square Ceiling Support Box

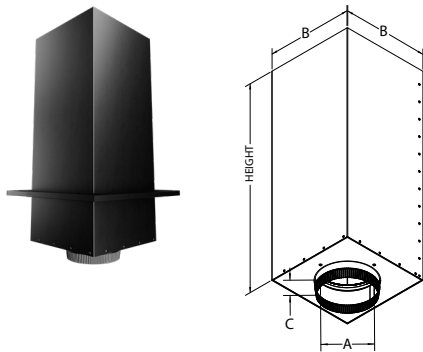


CEILING PITCH		
DURABLACK	DVL	USE
0/12 - 4/12	0/12 - 6/12	11" Support box
5/12 - 9/12	7/12 - 13/12	24" Support box
10/12 - 14/12	14/12 - 20/12	36" Support box

Supports chimney pipe and provides a positive connection between support box and chimney with a built-in twist-lock. Suitable for both flat and cathedral (A-Frame) ceiling applications. Also use in short attic spaces (see instructions). Fits between standard 16" on-center joists and most manufactured home applications. Support Box includes Integrated Starter-Coupler, Integrated Flue Extension, and 2-piece Black Ceiling Trim. Integrated Flue Extension accepts either single-wall or double-wall stovepipe.

SIZE	5"	6"	7"	8"	
A	5"	6"	7"	8"	
B	11"	12"	13"	14 1/4"	
C	1 3/4"	1 3/4"	1 3/4"	1 3/4"	
HEIGHT					
11"	ORDER #	5DT-CS11-2	6DT-CS11-2	7DT-CS11-2	8DT-CS11-2
	STOCK #	810018487	810018488	810018489	810018490
24"	ORDER #	-	6DT-CS24-2	7DT-CS24-2	8DT-CS24-2
	STOCK #	-	810018492	810018493	810018494
36"	ORDER #	-	6DT-CS36-2	7DT-CS36-2	8DT-CS36-2
	STOCK #	-	810018496	810018497	810018499

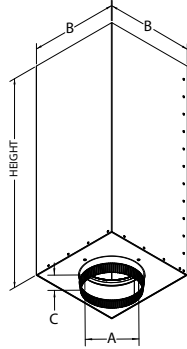
Reduced Clearance Square Ceiling Support Box



Supports chimney pipe and provides a positive connection between support box and chimney with a built-in twist-lock. Suitable for both flat and cathedral (A-Frame) ceiling applications. Also use in short attic spaces (see instructions). Fits between standard 12" on center joists and most manufactured home applications. Support Box includes Integrated Starter-Coupler, Integrated Flue Extension, and 2-piece Black Ceiling Trim. Integrated Flue Extension accepts either single-wall or double-wall stovepipe.

SIZE	6"	
A	6"	
B	10"	
C	1 3/4"	
HEIGHT		
24"	ORDER #	6DT-CS24R-2
	STOCK #	810018499

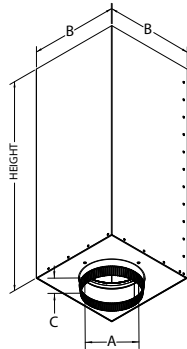
Square Ceiling Support Box w/ Collar



Use with flat, vaulted, or cathedral ceilings where there is an attic space above. Supports up to 60' of DuraTech Chimney. The additional Insulation Collar now enables the support box to be qualified as an Attic Insulation Shield. The additional Attic Insulation Shield (DT-AIS) is not required with these support boxes. Integrated adapter accepts either single-wall or double-wall stovepipe. Support Box includes Integrated Starter-Coupler, Integrated Flue Extension, Square-to-round Collar and 2-piece Black Ceiling Trim.

SIZE		6"
A		6"
B		12"
C		1 3/4"
HEIGHT		
24"	ORDER #	6DT-CS24IS-2
	STOCK #	810018500
36"	ORDER #	6DT-CS36IS-2
	STOCK #	810018501

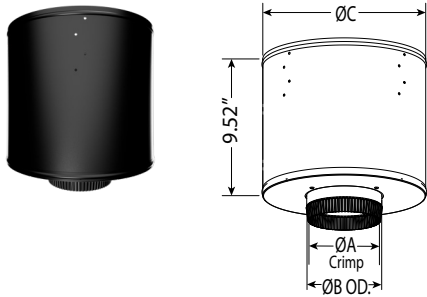
Square Ceiling Support Box w/ Insulation Shield Collar & Insulation



Use with flat, vaulted, or cathedral ceilings where there is an attic space above. Supports up to 60' of DuraTech Chimney. Functions as an Attic Insulation Shield when installed with Square-to-Round Insulation Shield Collar. Support Box includes Integrated Starter-Coupler, Integrated Flue Extension, Square-to-round Collar and 2-piece Black Ceiling Trim. Mineral Wool Insulation Blanket Included.

SIZE		6"
A		6"
B		12"
C		1 3/4"
HEIGHT		
24"	ORDER #	6DT-CS24RIS-2
	STOCK #	810018503

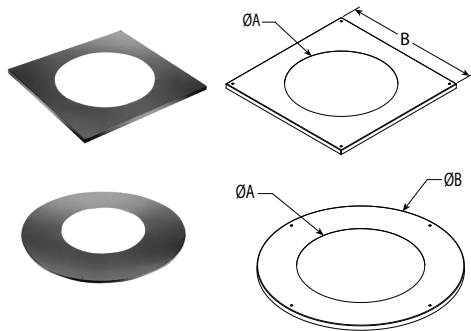
Round Ceiling Support Box



Supports chimney pipe and provides a positive connection between support box and chimney with a built-in twist-lock. Supports up to 60' of DuraTech Chimney. Painted black. Trim collars are sold separately. Integrated adapter accepts either single-wall or double-wall stovepipe.

SIZE	6"	7"	8"
A	5 7/8"	6 7/8"	7 7/8"
B	6"	7"	8"
C	12"	13"	14"
ORDER #	6DT-RCS-2	7DT-RCS-2	8DT-RCS-2
STOCK #	810018505	810018506	810018507

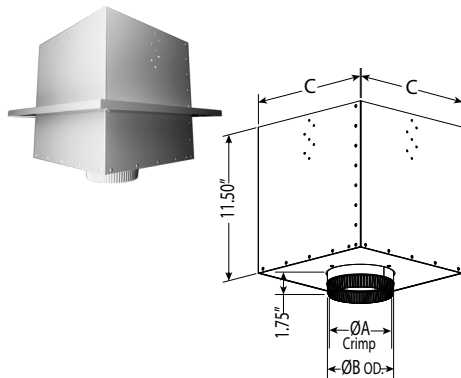
Trim Collar for Round Support Box



Conceals the gap between the Round Ceiling Support Box and the ceiling cutout. Select square or round. Painted black.

SQUARE TRIM COLLAR				ROUND TRIM COLLAR			
SIZE	6"	7"	8"	SIZE	6"	7"	8"
A	12 1/8"	13 1/8"	14 1/8"	A	12 1/8"	13 1/8"	14 1/8"
B	17"	18"	19"	B	18"	21"	21"
ORDER #	6DT-TC-2	7DT-TC-2	8DT-TC-2	ORDER #	6DT-TCR-2	7DT-TCR-2	8DT-TCR-2
STOCK #	810018645	810018646	810018647	STOCK #	810018649	810018650	810018651

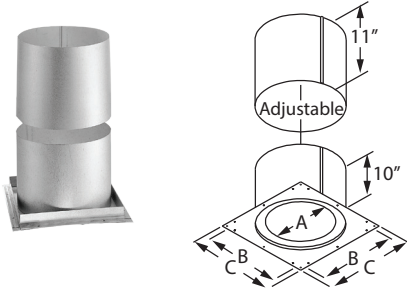
Unpainted Flat Ceiling Support Box



Supports chimney pipe and provides a positive connection between support box and chimney with a built-in twist-lock. Designed for use in mechanical room installations in flat ceilings only. Supports up to 60' of DuraTech Chimney. A 2" wide trim collar is included. Not painted but can be painted with high temperature paint. Integrated adapter accepts either single-wall or double-wall stovepipe.

SIZE	6"	7"	8"
A	5 7/8"	6 7/8"	7 7/8"
B	6"	7"	8"
C	12"	13"	14 1/4"
ORDER #	6DT-FCS-2	7DT-FCS-2	8DT-FCS-2
STOCK #	810018509	810018510	810018511

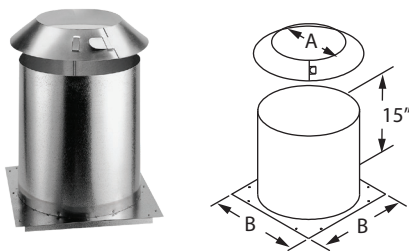
Firestop Radiation Shield



Use in ceiling/floor penetrations when a ceiling support is not used. Not required when passing through the roof. Fits on underside of ceiling and adjusts to cover framing.

SIZE	5"	6"	7"	8"
A	7 1/8"	8 1/8"	9 1/8"	10 1/8"
B	10 7/8"	11 7/8"	12 7/8"	13 7/8"
C	13"	14"	15"	16"
ORDER #	5DT-FRS	6DT-FRS	7DT-FRS	8DT-FRS
STOCK #	810000039	810000121	810000190	810000262

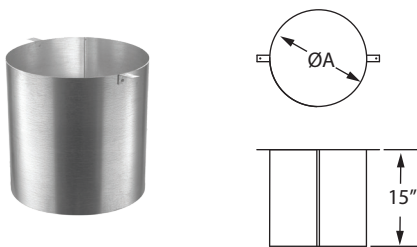
Attic Insulation Shield



Required for installations that pass through an attic to prevent insulation and debris from accumulating near the chimney. Fits over Firestop Radiation Shield or a support box. Consists of two parts – a collar and a base.

SIZE	5"	6"	7"	8"
A	7"	8"	9"	10"
B	13"	14"	15"	16"
ORDER #	5DT-IS	6DT-IS	7DT-IS	8DT-IS
STOCK #	810000040	810000122	810000191	810000263

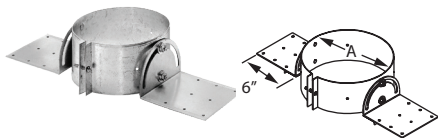
Roof Radiation Shield



Install where a chimney passes through a roof. May be required for Canadian factory-built fireplaces, refer to appliance manufacturer's installation instructions.

SIZE	5"	6"	7"	8"
A	9"	10"	11"	12"
ORDER #	5DT-RRS	6DT-RRS	7DT-RRS	8DT-RRS
STOCK #	810000041	810000123	810000192	810000264

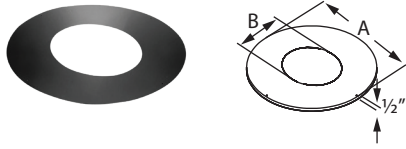
Adjustable Roof Support



Used to support up to 30' of chimney at the roof-deck. The mounting brackets swivel to suit most roof pitches. Ideal for use with vaulted or cathedral applications. Can also be used as a supplemental support.

SIZE	5" & 7"	6" & 8"
A	7", 9"	8", 10"
ORDER #	5DT-ARS	6DT-ARS
STOCK #	810007991	810007992

Trim Collar for Roof Support



Conceals gap between chimney pipe and ceiling cut out when used with Roof Support. Galvalume. Painted black. Order to match appropriate ceiling pitch.

SIZE		5"	6"	7"	8"
A		18"	18"	20"	20"
B		7 1/4"	8 1/4"	9 1/4"	10 1/4"
Ceiling Pitch 0/12 - 3/12	ORDER #	5DT-RSTC3	6DT-RSTC3	7DT-RSTC3	8DT-RSTC3
	STOCK #	810000026	810000105	810000179	810000246
Ceiling Pitch 4/12 - 6/12	ORDER #	5DT-RSTC6	6DT-RSTC6	7DT-RSTC6	8DT-RSTC6
	STOCK #	810000027	810000106	810000180	810000247
Ceiling Pitch 7/12 - 9/12	ORDER #	5DT-RSTC9	6DT-RSTC9	7DT-RSTC9	8DT-RSTC9
	STOCK #	810000028	810000107	810000181	810000248
Ceiling Pitch 10/12 - 12/12	ORDER #	5DT-RSTC12	6DT-RSTC12	7DT-RSTC12	8DT-RSTC12
	STOCK #	810000029	810000108	810000182	810000249

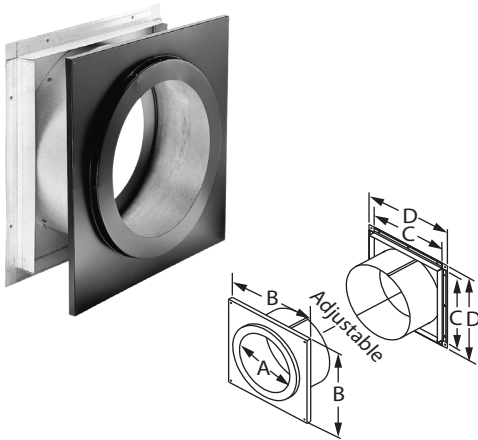
Support Box Rails



Attach to outside of Square Ceiling Support Box to provide level, temporary support. Enables installer to easily fasten the box in place without the need for another pair of hands.

SIZE	6"
ORDER #	6DT-SBRU
STOCK #	810007036

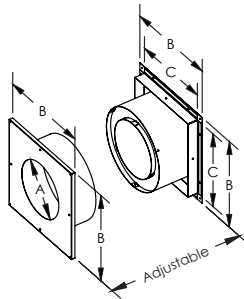
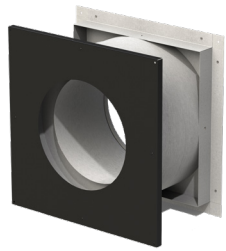
Wall Thimble



Adjusts from a minimum of 5 1/2" to a maximum of 9 1/2" wall thickness, and fits between standard wall studs. To accommodate thicker walls, the telescoping pieces can be extended up to 16" with a field-fabricated extension installed. Interior trim plate painted black. Must be installed with DuraTech chimney pipe horizontally through the wall and extend 6" into the room beyond the interior wall. (Black painted DuraTech is available). 6" and 8" stainless steel exterior trim available.

SIZE	5"	6"	7"	8"
A	7 1/8"	8 1/8"	9 1/8"	10 1/8"
B	14"	14"	16"	16"
C	10 7/8"	11 7/8"	12 7/8"	13 7/8"
D	13"	14"	15"	16"
ORDER #	5DT-WT	6DT-WT	7DT-WT	8DT-WT
STOCK #	810000030	810000109	810000183	810000250
SS TRIM	5"	6"	7"	8"
ORDER #	--	6DT-WTSS	--	8DT-WTSS
STOCK #	--	810000110	--	810000251

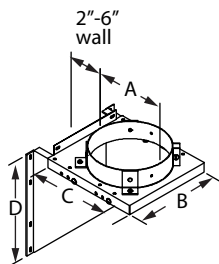
Insulated Wall Thimble



Adjusts from a minimum of 5½" to a maximum of 9½" wall thickness, fits between standard wall studs and the interior trim is painted black. To accommodate thicker walls, the telescoping pieces can be extended up to 16" when a field-fabricated extension is installed. The Wall Thimble must be installed with DuraTech chimney pipe horizontally through the walls and extend 6" into the room beyond the interior walls. Black DuraTech and 6" and 8" stainless steel exterior trims are available. Factory installed insulation.

SIZE	5"	6"	7"	8"
A	7 ¼"	8 ¼"	9 ¼"	10 ¼"
B	13"	14"	15"	16"
C	11"	12"	13"	14"
ORDER #	5DT-IWT	6DT-IWT	7DT-IWT	8DT-IWT
STOCK #	810014831	810014830	810014832	810014833
SS TRIM	5"	6"	7"	8"
ORDER #	--	6DT-WTSS	--	8DT-WTSS
STOCK #	--	810000110	--	810000251

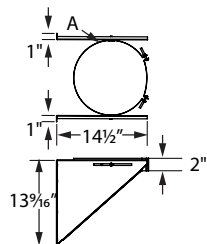
Adjustable Tee Support Bracket



Use as wall support for chimney system. Supports up to 50' of DuraTech Chimney without straps, and 70' of DuraTech Chimney with straps. Attaches to chimney pipe. Can be installed above or below the Tee. If installed below the Tee, a short section of pipe is required. Adjustable base provides 2" to 6" clearance to wall.

SIZE	5"	6"	7"	8"	
A	7"	8"	9"	10"	
B	10"	10"	12"	12"	
C	11"	11"	13"	13"	
D	11 ¾"	11 ¾"	13 ¾"	13 ¾"	
GA	ORDER #	5DT-TSB	6DT-TSB	7DT-TSB	8DT-TSB
	STOCK #	810000033	810000111	810000184	810000252
SS	ORDER #	5DT-TSBSS	6DT-TSBSS	7DT-TSBSS	8DT-TSBSS
	STOCK #	810000034	810000112	810000185	810000253

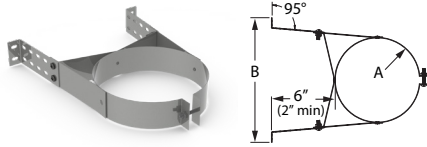
Adjustable Re-Support Bracket



Supports up to 20' of DuraTech chimney. Can be installed above or below the tee. Adjustable base slides easily to provide between 2" and 6" of clearance to the wall. Can be used in place of tee support for chimneys under 20'. Or as an addition to tee support that goes beyond 50'.

SIZE	5" & 7"	6" & 8"
A	7", 9"	8", 10"
ORDER #	5DT-RES	6DT-RES
STOCK #	810007999	810008000

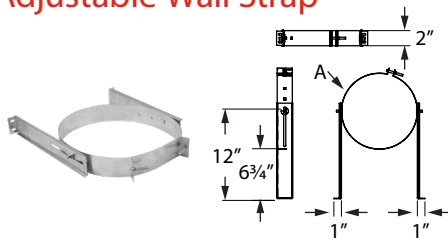
Wall Strap



Use in interior or exterior installations to add lateral support to the chimney. Assures a 2" to 6" clearance to combustible walls. Required every 8'.

SIZE		6"	8"
A		8"	10"
B		11 3/4"	14"
GA	ORDER #	6DT-WS	8DT-WS
	STOCK #	810000137	810000278
SS	ORDER #	6DT-WSSS	8DT-WSSS
	STOCK #	810000138	810000279

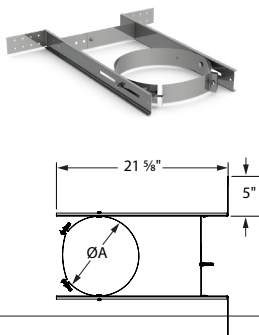
Adjustable Wall Strap



Use in interior or exterior installations to add lateral support to the chimney. Assures a 2" to 6" clearance to combustible walls. Required every 8'. This universal part covers 2 diameters.

SIZE		5" & 7"	6" & 8"	Diameter	Adjustability	
A		7", 9"	8", 10"		Min	Max
GA	ORDER #	5DT-AWS	6DT-AWS	5"	8 1/2"	15 1/2"
	STOCK #	810007987	810007988	6"	8"	15"
SS	ORDER #	5DT-AWS-SS	6DT-AWS-SS	7"	7 1/2"	14 1/2"
	STOCK #	810008010	810008012	8"	7"	14"

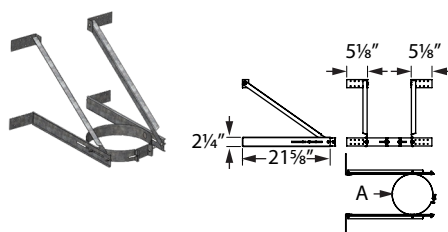
Adjustable Extended Wall Strap



Stabilizes chimney while offering additional clearance. See Adjustability Chart for Min and Max. One part covers 2 diameters. Also available in Stainless Steel (SS).

SIZE		5" & 7"	6" & 8"	Diameter	Adjustability	
A		7", 9"	8", 10"		Min	Max
GA	ORDER #	5DT-AWSX	6DT-AWSX	5"	8 1/2"	15 1/2"
	STOCK #	810009651	810009652	6"	8"	15"
SS	ORDER #	5DT-AWSX-SS	6DT-AWSX-SS	7"	7 1/2"	14 1/2"
	STOCK #	810009960	810009961	8"	7"	14"

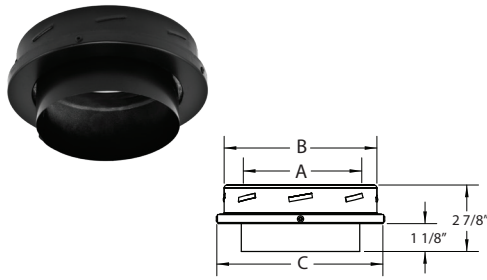
Adjustable Extended Wall Support



Use above the tee to provide support when bypassing obstructions or overhangs. Supports up to 20' of chimney. See Adjustability Chart for Min and Max. Also available in Stainless Steel (SS).

SIZE	5" & 7"	5" & 7" (SS)	6" & 8"	6" & 8" (SS)	Diameter	Adjustability	
A	7", 9"	7", 9"	8", 10"	8", 10"		Min	Max
ORDER #	5DT-XWS	5DT-XWS-SS	6DT-XWS	6DT-XWS-SS	5"	8 1/2"	15 1/2"
STOCK #	810007997	810009962	810007998	810009963	6"	8"	15"
					7"	7 1/2"	14 1/2"
					8"	7"	14"

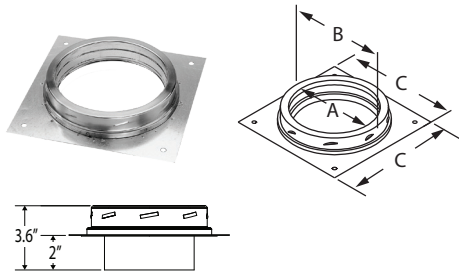
Finishing Collar w/ Adapter



Finishing Collar with Integrated Adapter (Flue Extension) fits into the female end of the chimney pipe to provide a decorative black finish. Use on chimney pipe that is suspended with the roof support system or on pipe that is passing through a wall thimble. Works with both single-wall and double-wall stovepipe.

SIZE	5"	6"	7"	8"
A	5"	6"	7"	8"
B	6 1/2"	7 1/2"	8 1/2"	9 1/2"
C	7"	8"	9"	10"
ORDER #	5DT-FC	6DT-FC	7DT-FC	8DT-FC
STOCK #	810000037	810000115	810000188	810000256

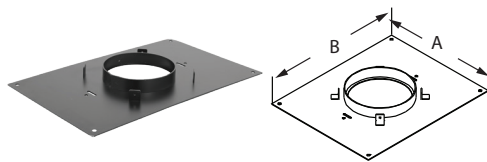
Anchor Plate



Use to attach DuraTech Chimney to an appliance or masonry fireplace. Check with appliance manufacturer to ensure DuraTech Chimney is approved for use.

SIZE	5"	6"	7"	8"
A	5"	6"	7"	8"
B	7"	8"	9"	10"
C	9"	10"	11"	12"
ORDER #	5DT-AP	6DT-AP	7DT-AP	8DT-AP
STOCK #	810000038	810000116	810000189	810000257

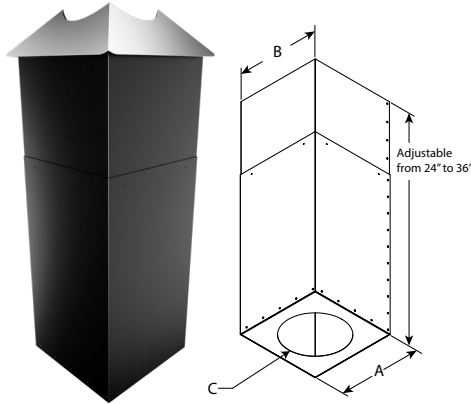
Transition Anchor Plate



Use when converting from DuraLiner to DuraTech in chimney restoration. Use with a DuraLiner Slip Connector and Hanger.

SIZE	6"	6"	6"	6"
A	14"	17"	13"	17"
B	17"	17"	21"	21"
ORDER #	6DT-AP14x17	6DT-AP17x17	6DT-AP13x21	6DT-AP17x21
STOCK #	810000117	810000118	810000119	810000120
SIZE	8"	8"	8"	8"
A	14"	17"	13"	17"
B	17"	17"	21"	21"
ORDER #	8DT-AP14x17	8DT-AP17x17	8DT-AP13x21	8DT-AP17x21
STOCK #	810000258	810000259	810000260	810000261

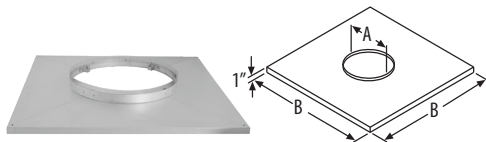
5"-8" Pass Through Radiation Shield



Use when insulated chimney passes up through a ceiling penetration from below. Ideal for use above a factory-built fireplace. Suited for flat, vaulted, or cathedral applications, and within shallow attics where access is limited. Integrated Firestop on bottom. Top can serve as an Attic Radiation Shield where required. Factory supplied square-to-round collar is included. Effective height (length) with standard extension is adjustable from 24" up to maximum of 36".

SIZE	6"	7"	8"
A	12"	13"	14.25"
B	12"	13"	14.25"
C	8.25"	9.25"	10.25"
ORDER #	6DT-SRSE	7DT-SRSE	8DT-SRSE
STOCK #	810018519	810018520	810018521

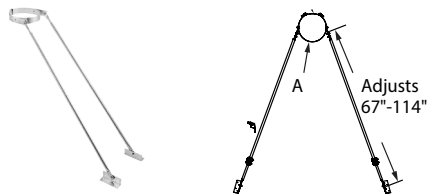
Chase Top Flashing



Encloses the top of a chase. Includes spacer clips to provide ventilation air passage from the chase. Storm Collar not included. Made of Galvalume.

SIZE	5"	6"	7"	8"
A	10"	11"	12"	13"
B	18 3/4"	19 3/4"	20 3/4"	21 3/4"
ORDER #	5DT-CTF	6DT-CTF	7DT-CTF	8DT-CTF
STOCK #	810000042	810000124	810000193	810000265

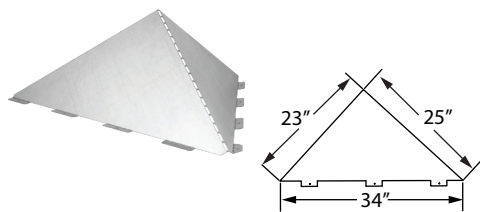
Adjustable Extended Roof Bracket



Required to stabilize chimney against wind-loading when 5 feet or more extends above the roofline. Brace arms are adjustable from 67" up to 114". Not intended to provide protection against sliding ice or snow.

SIZE	5" & 7"	6" & 8"
A	7", 9"	8", 10"
ORDER #	5DT-XRS	6DT-XRS
STOCK #	810007989	810007990

Snow Splitter

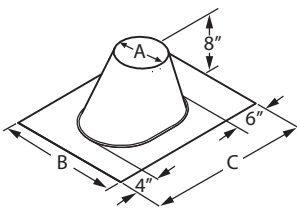
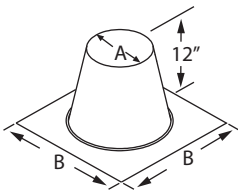
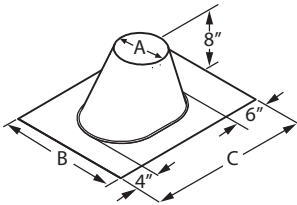
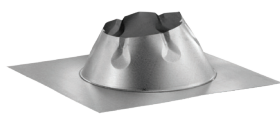
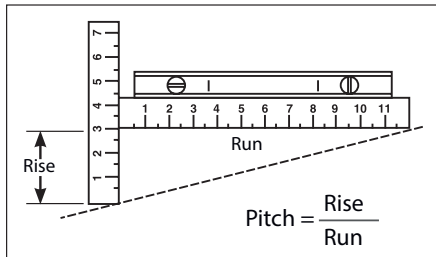


Three times thicker and stronger, allowing it to stand up against heavier snow loads. Bendable attachment flanges allow it to mount on any roof slope. Use to divert snow around chimney, vent and roof flashing. Constructed of paintable galvanized material. Ships flat for easy assembly. Works with 6", 7", 8", and 10".

SIZE	6"
ORDER #	6DT-SP
STOCK #	810007981

Roof Flashing

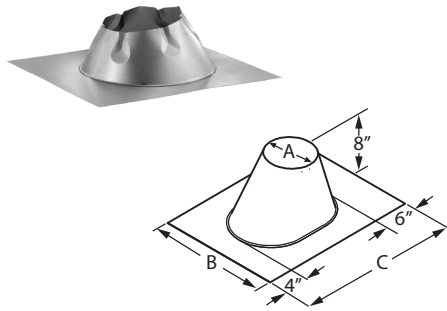
Roof Pitch



Use to weather proof the penetration of chimney pipe through the roof. Storm Collar required. Select roof flashing based on pitch of roof. For example, a 6/12 pitch has a vertical rise of 6" over a horizontal distance of 12". Made of galvalume. 6" - 8" available with large base.

ADJUSTABLE SIZE		5"	6"	7"	8"
0/12 - 6/12	A	7 1/2"	8 1/2"	9 1/2"	10 1/2"
	B	19"	20"	21"	22"
	C	26"	27 3/16"	28 3/16"	29 1/2"
	ORDER #	5DT-F6	6DT-F6	7DT-F6	8DT-F6
	STOCK #	810000045	810000126	810000196	810000267
7/12 - 12/12	A	7 1/2"	8 1/2"	9 1/2"	10 1/2"
	B	19"	20"	21"	22"
	C	28 7/16"	30"	31 5/16"	33 1/4"
	ORDER #	5DT-F12	6DT-F12	7DT-F12	8DT-F12
	STOCK #	810000046	810000128	810000197	810000269
13/12 - 18/12	A	7 1/2"	8 1/2"	9 1/2"	10 1/2"
	B	19"	20"	21"	22"
	C	32 3/16"	34 3/8"	36 3/16"	38"
	ORDER #	5DT-F18	6DT-F18	7DT-F18	8DT-F18
	STOCK #	810000047	810000130	810000198	810000271
19/12 - 24/12	A	7 1/2"	8 1/2"	9 1/2"	10 1/2"
	B	19"	20"	21"	22"
	C	37 3/16"	39 1/2"	41 3/4"	44"
	ORDER #	5DT-F24	6DT-F24	7DT-F24	8DT-F24
	STOCK #	810000048	810000131	810000199	810000272
FLAT ROOF		5"	6"	7"	8"
	A	7 1/4"	8 1/4"	9 1/4"	10 1/4"
	B	19 1/16"	20 1/16"	21 5/8"	21 5/8"
	ORDER #	5DT-FF	6DT-FF	7DT-FF	8DT-FF
	STOCK #	810000049	810000132	810000200	810000273
LRG BASE ADJUSTABLE SIZE		5"	6"	7"	8"
0/12 - 6/12	A	--	8 1/4"	9 1/4"	10 1/4"
	B	--	28"	29"	30"
	C	--	27 3/16"	28 3/16"	29 1/2"
	ORDER #	--	6DT-F6L	7DT-F6L	8DT-F6L
	STOCK #	--	810000133	810000201	810000274
7/12 - 12/12	A	--	8 1/4"	9 1/4"	10 1/4"
	B	--	28"	29"	30"
	C	--	30"	31"	33"
	ORDER #	--	6DT-F12L	7DT-F12L	8DT-F12L
	STOCK #	--	810000134	810000202	810000275

DSA Roof Flashings



This flashing features a base plate made of malleable (aka "Dead-Soft") aluminum. Easily shaped-by-hand to match corrugated metal roofing or rounded clay-tile shingles.

STOCK #		6"	8"
0/12 - 6/12	A	9"	11"
	B	20"	30"
	C	27 3/16"	29 1/2"
	ORDER #	6DT-F6DSA	8DT-F6DSA
	STOCK #	810000127	810000268
7/12 - 12/12	A	9"	11"
	B	20"	24 1/4"
	C	30"	33 1/4"
	ORDER #	6DT-F12DSA	8DT-F12DSA
	STOCK #	810000129	810000270

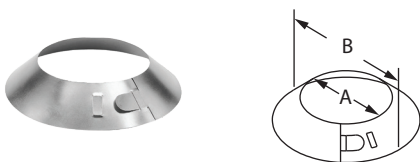
Universal Rubber Boot Flashing Kit



Easily modified to fit DuraTech chimney diameters from 5" up to 8". Intended for use on sloped metal corrugated roofs with up to 12/12 pitch. (10/12 for 8" diameter). Base (measures 23" x 23") and cone are made of durable black EPDM rubber. Can be painted to match roof if desired using acrylic paint. Rubber Boot kit includes shield, spacer kit, storm collar, pest screen, and mounting hardware.

SIZE	5" - 8"
ORDER #	URBAK
STOCK #	200275

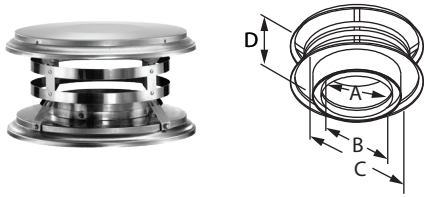
Storm Collar



Required with DuraTech flashing to create a weather-proof penetration through the roof deck. Seal inner edge of the collar to the chimney pipe with non-hardening 500° F high-temperature sealant. Made with Galvalume.

SIZE	5" - 6"	7" - 8"
A	7" - 8"	9" - 10"
B	12" - 14"	15" - 16"
ORDER #	5DT-SC	7DT-SC
STOCK #	810000043	810000194

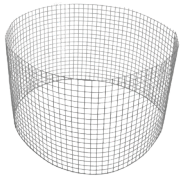
Chimney Cap



Required to keep precipitation out of the chimney. Stainless cap is secured to skirt with four screws. Allows removal for inspection and cleaning. Spark arrestor is sold separately.

SIZE	5"	6"	7"	8"
A	5"	6"	7"	8"
B	7"	8"	9"	10"
C	11"	11"	15"	15"
D	6 1/2"	6 1/2"	6 1/2"	6 1/2"
ORDER #	5DT-VC	6DT-VC	7DT-VC	8DT-VC
STOCK #	810000050	810000135	810000203	810000276

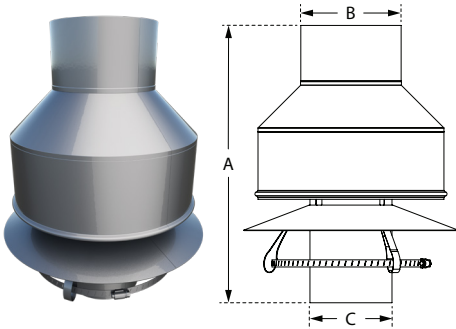
Spark Arrestor



Use with cap where required to prevent burning embers from escaping. As an added benefit, keeps birds, bats, and other small animals from entering the chimney. Trim mesh to suit cap. Made of stainless steel.

SIZE	5" - 8"
ORDER #	5DT-SA
STOCK #	810000054

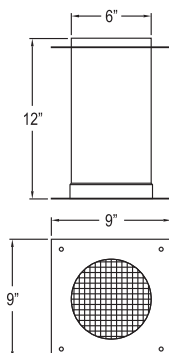
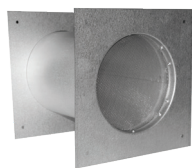
DIKAPT Chimney Cap



Designed to address chimneys with downdraft issues. Diverts wind and rain to ensure flue gases are directed outward efficiently & effectively. Constructed of 300 Series Stainless Steel for strength & durability. Listed and approved to UL 103 Type HT.

SIZE	5"	6"	7"	8"
A	17 1/4"	19 1/4"	19 1/4"	19 1/4"
B	6"	7"	8"	9"
C	4 3/4"	5 3/4"	6 3/4"	7 3/4"
ORDER #	195802	196802	197802	198802
STOCK #	5DK	6DK	7DK	8DK

Chase Air Intake w/ Rodent Guard



Allows required ventilation air into chase. Screen keeps rodents out.

SIZE	6"
ORDER #	6DT-CAI
STOCK #	810005052



BUILD FOR THE FUTURE

Customer Service and Support:

Airmate (USA).....	800.992.8368
Airmate (CAN)	888.735.5475
Ameriflow	800.252.8467
Amerivent (Retail).....	800.252.8467
Amerivent (Hearth & Wholesale)	800.423.4270
Amerivent (Support).....	800.748.0392
AMPCO (USA)	800.669.3269
AMPCO (CAN).....	888.735.5475
Builder's Best.....	903.586.8283
Duravent	800.835.4429
Hart & Cooley.....	800.433.6341
Hart & Cooley (Support)	800.748.0392
Heatfab (USA).....	800.772.0739
Heatfab (CAN)	800.848.2149
Lima.....	800.423.4270
Milcor	800.774.5240
Portals Plus.....	800.774.5240
RPS.....	800.624.8642
Security Chimney (USA).....	800.361.4909
Security Chimney (CAN)	800.667.3387
Selkirk (USA) Residential	800.992.8368
Selkirk (USA) Commercial.....	800.848.2149
Selkirk (USA) Support.....	800.748.0392
Selkirk (CAN)	888.735.5475

Manufacturing & Distribution Centers:

CANADA	
Nobel, ON	Manufacturing
Laval, QC	Manufacturing
Prescott, ON	Distribution
USA	
Grand Rapids, MI	Center of Excellence
Dallas, TX	Distribution
Englewood, OH	Distribution
Huntsville, AL	Manufacturing & Distribution
Jacksonville, TX	Manufacturing & Distribution
Las Vegas, NV	Distribution
Plant City, FL	Manufacturing
Turner Falls, MA	Manufacturing & Distribution
Vacaville, CA	Manufacturing
MEXICO	
Ojinaga, MX	Manufacturing
Mexicali, MX	Manufacturing

Corporate Headquarters:

Duravent Group
28 W. Adams, Suite 1810
Detroit, MI 48226
Tel: 800.835.4429
info@duraventgroup.com
www.duraventgroup.com

duravent™



For warranty information:
Scan this QR code or visit
www.duraventgroup.com/warranties

© 2025 Duravent Group. All rights reserved.
DV_DT_CT-001E_01-25

duravent™
GROUP

BUILD FOR THE FUTURE

www.duraventgroup.com

