



## DuraTech<sup>®</sup> LDC

10"-24" All-Fuel, Double-Wall Large Diameter Chimney



# TABLE OF CONTENTS

---

DuraTech 10"-24" Specifications.....	4
Typical Installations .....	5
Planning Your Installation.....	6
DuraTech 10"-24" Lengths and Components.....	7-17
Elbow Offset Chart for 10"-24" DuraTech .....	9
Chimney Sizing Chart.....	18

# What makes us different from the rest?

DuraTech LDC: The optimum in safety and performance for an all-fuel chimney.



DuraTech LDC Feature	Benefit
<b>UL 103 Type HT Listed</b>	10"-16" Diameters are tested and listed to UL 103 Type HT making DuraTech LDC ideal for factory-built fireplaces, large masonry fireplaces, and appliances requiring UL 103 Type HT.
<b>10" through 24" Diameters</b>	Gives the installer a large variety of diameters and components to fit fireplaces or appliances up to 24".
<b>6", 12", 18", 24", and 36" Lengths</b>	Gives the installer the greatest variety of lengths to reach the desired height with the least amount of pipe sections.
<b>430 Stainless Steel Inner Wall</b>	Corrosion resistant stainless steel for the least amount of expansion when exposed to heat.

DuraTech LDC Feature	Benefit
<b>1" Ceramic Thermal Blanket Insulation</b>	Ensures complete and consistent insulation coverage between inner and outer walls.
<b>15° and 30° Elbows</b>	Allows installer to easily offset around an obstacle such as a joist or truss. Two elbows are required for each offset.
<b>Stainless Steel Chimney Caps</b>	Removeable for inspection and maintenance of chimney.
<b>Duravent Group Limited Lifetime Warranty</b>	The best Warranty in the industry. Gives the homeowner the greatest peace of mind.

## DuraTech LDC

Duravent Group offers DuraTech LDC to vent large-scale residential fireplaces (masonry and factory-built) and other appliances.

**In the US**, DuraTech LDC can be used on masonry fireplaces and specific Factory-Built Fireplaces listed to UL 127 when specified in the fireplace manufacturer's installation instructions.

**In Canada**, DuraTech LDC is listed to CAN/ULC-604 for Factory-Built Type A Chimneys for connection to gas and oil fired appliances. DuraTech LDC may also be used with specific Factory-Built Fireplaces listed to CAN/ULC-610 when specified in the fireplace manufacturer's installation instructions.

### DuraTech LDC 10"-16"

**Listing: UL 103 Type HT**

Temperature Ratings: 2100°F (Maximum Test 10 min. x 3)  
1400°F (Maximum for 60 min.)  
1000°F (Maximum Continuous Operating Temperature)

### DuraTech LDC 18"-24"

**Listing: UL 103**

Temperature Ratings: 1700°F (Maximum Test 10 min.)  
1400°F (Maximum for 60 min.)  
1000°F (Maximum Continuous Operating Temperature)

### DuraTech LDC 10"-24"

**Listing: CAN/ULC 604**

Temperature Rating: 1700°F (Maximum Test 10 min.)  
1400°F (Maximum for 60 min.)  
1000°F (Maximum Continuous Operating Temperature)

## Applications

DuraTech LDC is a Factory-Built Chimney intended for use with atmospheric-draft combustion appliances. Use with certified factory-built or masonry fireplaces, furnaces, boilers, and other appliances using solid fuel, oil, or gas. Check the manufacturer's installation instructions and local codes.

## Materials and Construction

10"-24" diameter pipes feature... Inner wall 430 stainless steel (.027") Outer wall of galvalume (.029") or 430 stainless steel (.027"). Ceramic thermal blanket insulation is encased between the walls. Stainless pipes use stainless end rings. Galvalume pipe uses galvalume end rings.

## Clearances

2" clearance to combustibles.

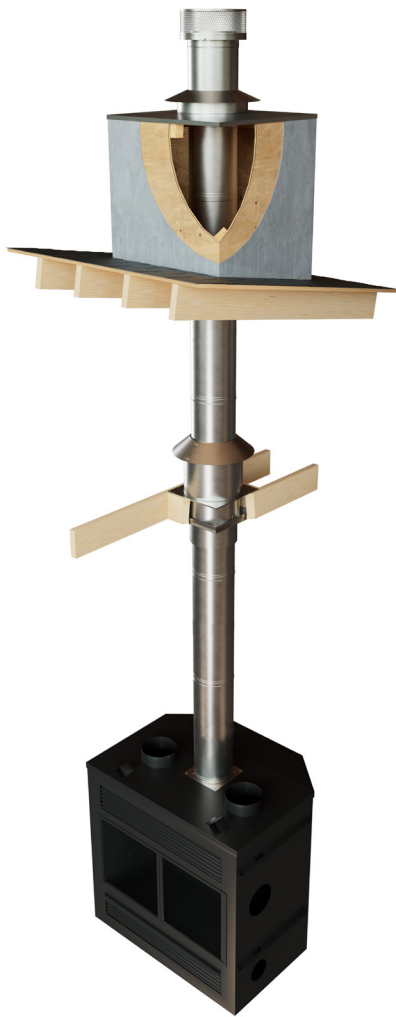
## Diameters

10", 12", 14", 16", 18", 20", 22", and 24".



## Typical Installations For 10" - 24" DuraTech

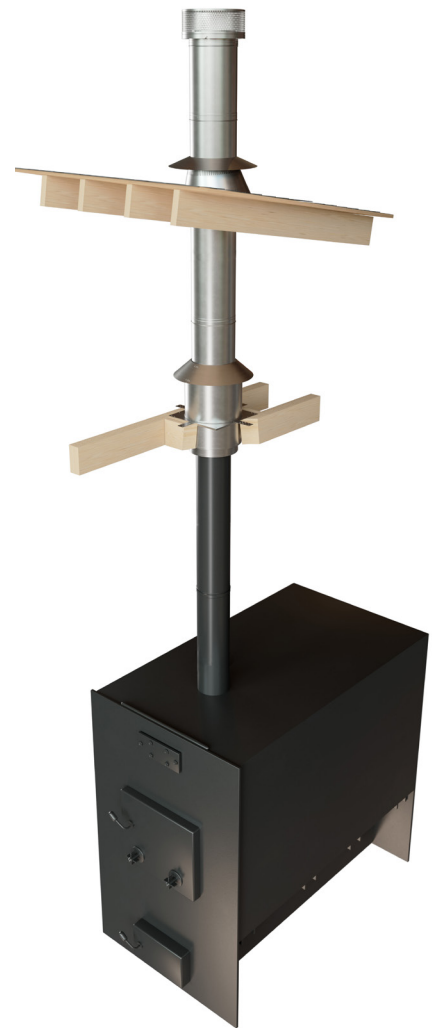
---



**Factory-Built Fireplace Installation**

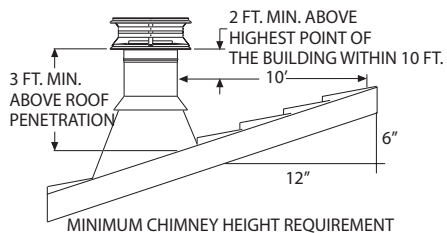


**Masonry Fireplace Installation**



**Blast Furnace Installation**

## Planning Your Installation



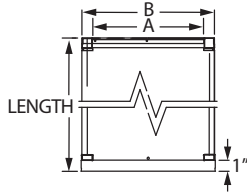
**Figure 1**

The following recommendations are general guidelines to assist in the layout and selection of the chimney components needed for your installation. Always follow Duravent Group installation instructions, found with the cap or support, when installing your chimney system. Installation instructions can be accessed online, please visit [www.duraventgroup.com/dt-ldc](http://www.duraventgroup.com/dt-ldc).

- The diameter of the chimney should match the outlet size of the appliance. A properly sized chimney results in improved draft and less creosote formation. Measure the diameter of the appliance flue outlet. Select the chimney and connector stovepipe with the same size diameter as the appliance flue outlet. For masonry fireplace installations, refer to the sizing chart in this catalog.
- Determine if the installation is a through-the-roof installation or a through-the-wall installation.
- Install the chimney in the interior of the structure whenever possible. A cold exterior chimney will produce less draft and will generate more creosote.
- When possible, avoid installation with an offset. A straight, vertical installation will result in stronger draft and reduced accumulation of creosote. If necessary, one offset is permitted to avoid an obstruction. Elbows are fixed at 15° or 30°. Elbows greater than 30° are not allowed. Refer to the offset table shown on (page 9) of this catalog. At least one Elbow Strap is required for the offset to ensure adequate support.
- Determine the minimum chimney height above the roof line. Building codes require a minimum of 3' above the roof penetration and at least 2' higher than any portion of a building within 10'. See figure 1. The termination cap is installed above that point. If the chimney extends more than 4 feet above the roof, an Extended Roof Bracket must be used.
- Measure the roof pitch. For example, a 6/12 pitch has a vertical rise of 6" over a horizontal distance of 12". Select the appropriate flashing.
- Determine the total length of chimney and stovepipe required for the installation. To calculate the installed length of 10"-24" diameter, subtract 1" per joint. Subtract 1 ¼" per joint of DuraBlack stovepipe. Most large diameter chimneys are intended to be mounted directly to an appliance, a masonry fireplace or a factory-built fireplace, refer to the appliance manufacturer's instructions for height limits.
- Be fire safe. Maintain at least 2" clearance to combustibles. Follow local building codes and have your chimney inspected by a certified professional.

# DuraTech® LDC 10"-24"

## Chimney Pipe



**10" - 24" Diameters** - Stainless Steel inner wall. Available with Galvalume (GA) or Stainless Steel (SS) outer wall. Requires fastening with screws.

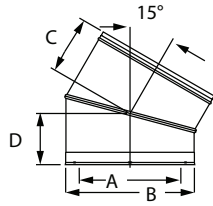
DuraTech (10"-12" diameters) 24" and 36" lengths are available with additional protective carton filler for shipping. Available items have stock numbers with (CF). 18"-24" diameters are built to order and are not returnable.

To calculate installed length of 10", 12", 14", 16", 18", 20", 22" or 24" DuraTech Chimney, subtract 1" from each joint overlap of chimney pipe. Important: Allow a minimum of 2" air space to combustibles when installing DuraTech Chimney.

SIZE	10"		12"		14"		16"	
	ORDER #	STOCK #	ORDER #	STOCK #	ORDER #	STOCK #	ORDER #	STOCK #
A	10"		12"		14"		16"	
B	12"		14"		16"		18"	
6" GA	10DT-06	810000282	12DT-06	810000320	14DT-06	810000354	16DT-06	810000386
12" GA	10DT-12	810000283	12DT-12	810000321	14DT-12	810000355	16DT-12	810000387
12" SS	10DT-12SS	810000284	12DT-12SS	810000322	14DT-12SS	810000356	16DT-12SS	810000388
18" GA	10DT-18	810000285	12DT-18	810000323	14DT-18	810000357	16DT-18	810000389
18" SS	10DT-18SS	810000286	12DT-18SS	810000324	14DT-18SS	810000358	16DT-18SS	810000390
24" GA	10DT-24	810000287	12DT-24	810000325	14DT-24	810000359	16DT-24	810000391
24" GA	10DT-24CF	810000288	12DT-24CF	810000326	--	--	--	--
24" SS	10DT-24SS	810000289	12DT-24SS	810000327	14DT-24SS	810000360	16DT-24SS	810000392
36" GA	10DT-36	810000290	12DT-36	810000328	14DT-36	810000361	16DT-36	810000393
36" GA	10DT-36CF	810000291	12DT-36CF	810000329	--	--	--	--
36" SS	10DT-36SS	810000292	12DT-36SS	810000330	14DT-36SS	810000362	16DT-36SS	810000394

SIZE	18"		20"		22"		24"	
	ORDER #	STOCK #	ORDER #	STOCK #	ORDER #	STOCK #	ORDER #	STOCK #
A	18"		20"		22"		24"	
B	20"		22"		24"		26"	
12" GA	18DT-12	810000418	20DT-12	810000442	22DT-12	810000466	24DT-12	810000489
12" SS	18DT-12SS	810000419	20DT-12SS	810000443	22DT-12SS	810000467	24DT-12SS	810000490
18" GA	18DT-18	810000420	20DT-18	810000444	22DT-18	810000468	24DT-18	810000491
18" SS	18DT-18SS	810000421	20DT-18SS	810000445	22DT-18SS	810000469	24DT-18SS	810000492
24" GA	18DT-24	810000422	20DT-24	810000446	22DT-24	810000470	24DT-24	810000493
24" SS	18DT-24SS	810000423	20DT-24SS	810000447	22DT-24SS	810000471	24DT-24SS	810000494
36" GA	18DT-36	810000424	20DT-36	810000448	22DT-36	810000472	24DT-36	810000495
36" SS	18DT-36SS	810000425	20DT-36SS	810000449	22DT-36SS	810000473	24DT-36SS	810000496

### 15° Elbow

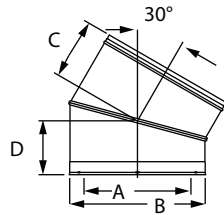


One offset may be used around obstructions such as rafters, ridgepoles or joists. An offset greater than 30 degrees is not permitted.

Stainless Steel inner wall. Available with Galvalume (GA) or Stainless Steel (SS) outer wall. Fasten with screws.

SIZE	10"	12"	14"	16"	SIZE	18"	20"	22"	24"		
A	10"	12"	14"	16"	A	18"	20"	22"	24"		
B	12"	14"	16"	18"	B	20"	22"	24"	26"		
C	6 3/4"	6 3/4"	6 3/4"	7 1/4"	C	9"	9"	9"	9"		
D	7"	7"	7"	6 1/2"	D	9"	9"	9"	9"		
GA	ORDER #	10DT-E15	12DT-E15	14DT-E15	16DT-E15	GA	ORDER #	18DT-E15	20DT-E15	22DT-E15	24DT-E15
	STOCK #	810000293	810000331	810000363	810000395		STOCK #	810000426	810000450	810000474	810000497
SS	ORDER #	10DT-E15SS	12DT-E15SS	14DT-E15SS	16DT-E15SS	SS	ORDER #	18DT-E15SS	20DT-E15SS	22DT-E15SS	24DT-E15SS
	STOCK #	810000294	810000332	810000364	810000396		STOCK #	810000427	810000451	810000475	810000498

### 30° Elbow



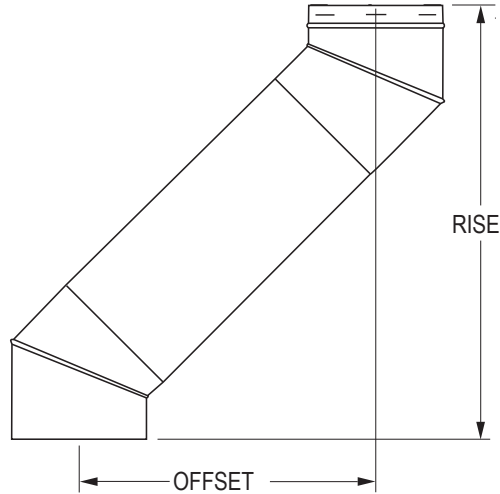
One offset may be used around obstructions such as rafters, ridgepoles or joists. An offset greater than 30 degrees is not permitted.

Stainless Steel inner wall. Available with Galvalume (GA) or Stainless Steel (SS) outer wall. Fasten with screws.

SIZE	10"	12"	14"	16"	SIZE	18"	20"	22"	24"		
A	10"	12"	14"	16"	A	18"	20"	22"	24"		
B	12"	14"	16"	18"	B	20"	22"	24"	26"		
C	5 7/8"	6 1/8"	6 3/8"	6 5/8"	C	9"	9"	9"	9"		
D	6 5/8"	6 7/8"	7 1/8"	7 3/8"	D	9"	9"	9"	9"		
GA	ORDER #	10DT-E30	12DT-E30	14DT-E30	16DT-E30	GA	ORDER #	18DT-E30	20DT-E30	22DT-E30	24DT-E30
	STOCK #	810000295	810000333	810000365	810000397		STOCK #	810000428	810000452	810000476	810000499
SS	ORDER #	10DT-E30SS	12DT-E30SS	14DT-E30SS	16DT-E30SS	SS	ORDER #	18DT-E30SS	20DT-E30SS	22DT-E30SS	24DT-E30SS
	STOCK #	810000296	810000334	810000366	810000398		STOCK #	810000429	810000453	810000477	810000500

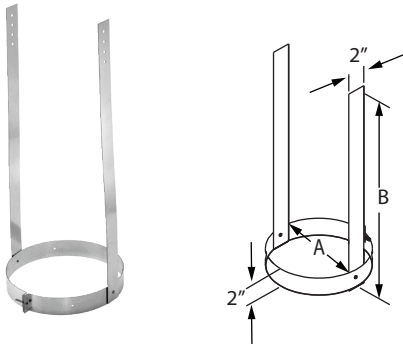


Large Diameter  
Elbow Offset Chart  
For 10"- 24" DuraTech



SIZE		10", 12", 14", 16" Diameter		SIZE		18", 20", 22", 24" Diameter	
Elbow Angle from Vertical	Chimney Length Between Elbows	Offset inches	Rise inches	Elbow Angle from Vertical	Chimney Length Between Elbows	Offset inches	Rise inches
15°	0"	2 3/4"	22 1/4"	15°	0"	4 1/2"	34 1/2"
15°	6"	4 1/4"	27 1/4"	15°	12"	7 1/4"	45"
15°	12"	5 3/4"	33 1/4"	15°	18"	8 3/4"	50 3/4"
15°	18"	7 1/4"	39"	15°	24"	10 1/4"	56 1/2"
15°	24"	9"	44 3/4"	15°	36"	13 1/2"	68 1/4"
15°	36"	12"	56 1/4"	15°	24"+24"	16 1/4"	78 3/4"
15°	24"+24"	14 3/4"	66 3/4"	30°	0"	8 1/2"	32 3/4"
30°	0"	6 1/4"	23 3/4"	30°	12"	14"	42 1/4"
30°	6"	8 3/4"	27 3/4"	30°	18"	17"	47 1/2"
30°	12"	11 3/4"	33"	30°	24"	20"	52 3/4"
30°	18"	14 3/4"	38 1/4"	30°	36"	26"	63"
30°	24"	17 3/4"	43 1/4"	30°	24"+24"	31 1/2"	72 1/2"
30°	36"	23 3/4"	53 3/4"				
30°	24"+24"	29"	63"				

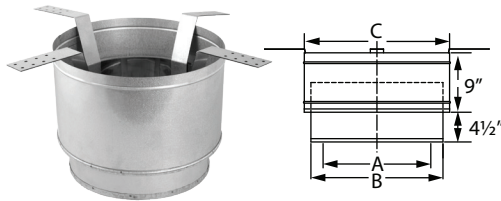
### Elbow Strap



Use to prevent excessive weight on the elbows by supporting the weight of the chimney. Required to be installed between two elbows in offset installations. Multiple elbow straps may be required for offset installations. Refer to installation instructions.

SIZE	10"	12"	14"	16"
A	12"	14"	16"	18"
B	30"	30"	30"	30"
ORDER #	10DT-ES	12DT-ES	14DT-ES	16DT-ES
STOCK #	810000297	810000335	810000367	810000399
SIZE	18"	20"	22"	24"
A	20"	22"	24"	26"
B	36"	36"	36"	36"
ORDER #	18DT-ES	20DT-ES	22DT-ES	24DT-ES
STOCK #	810000430	810000454	810000478	810000501

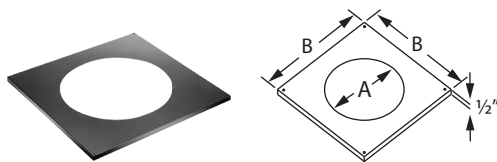
### Round Ceiling Support Box



Supports chimney pipe and provides a positive connection between support box and chimney. Supports up to 40' of DuraTech Chimney. Trim collars are sold separately. (For 10" use DuraBlack Slip Connector to attach DuraBlack to the support box. See DuraBlack section).

SIZE	10"	12"	14"	16"
A	10 5/16"	12 5/16"	14 5/16"	16 5/16"
B	14"	16"	18"	20"
C	16"	18"	20"	22"
ORDER #	10DT-RCS	12DT-RCS	14DT-RCS	16DT-RCS
STOCK #	810000298	810000336	810000368	810000400

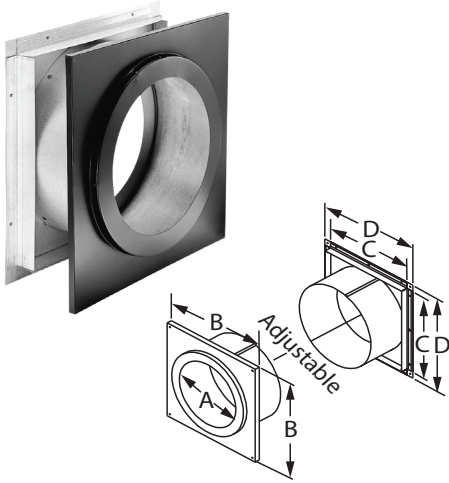
### Trim Collar for Round Support Box



Conceals gap between chimney pipe and ceiling cut-out when used with Round Ceiling Support Box. Galvalume. Painted black.

SIZE	10"	12"	14"	16"
A	14 1/4"	16 1/4"	18 1/4"	20 1/4"
B	20"	22"	24"	26"
ORDER #	10DT-TCR	12DT-TCR	14DT-TCR	16DT-TCR
STOCK #	810000299	810000337	810000369	810000401

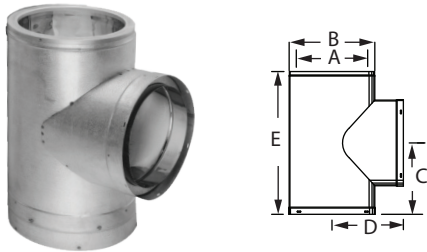
### Wall Thimble



Use to provide clearance to combustibles. Adjusts from a minimum of 4" to a maximum of 10" wall thickness, and fits between standard wall studs. To accommodate thicker walls, the telescoping pieces can be extended up to 16" with a field-fabricated extension installed. Interior trim plate painted black. Must be installed with DuraTech chimney pipe horizontally through the wall.

SIZE	10"	12"	14"	16"
A	12 1/8"	14 1/8"	16 1/8"	18 1/8"
B	20"	22"	24"	26"
C	15 7/8"	17 7/8"	19 7/8"	21 1/8"
D	18"	20"	22"	24"
ORDER #	10DT-WT	12DT-WT	14DT-WT	16DT-WT
STOCK #	810000300	810000338	810000370	810000402

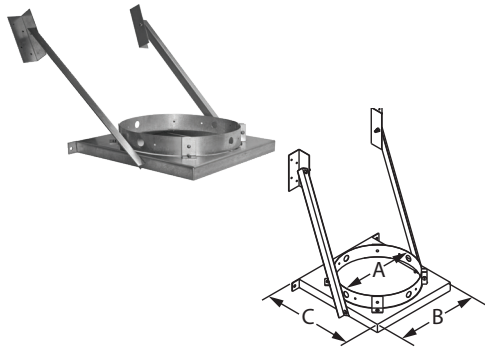
### Tee w/ Cap



Use for through-the-wall installations. Includes removable Tee Cap for easy chimney cleaning or inspection. Wall Straps, a Wall Thimble, and an Adjustable Tee Support Bracket must be installed with the Tee as directed. Available in stainless steel or with a galvalume outer wall and stainless steel inner wall. See installation instructions for proper location and installation of Tee.

SIZE		10"	12"	14"	16"
A		10"	12"	14"	16"
B		12"	14"	16"	18"
C		10"	11"	12"	13"
D		10"	11"	12"	13"
E		20"	22"	24"	26"
GA	ORDER #	10DT-T	12DT-T	14DT-T	16DT-T
	STOCK #	810000301	810000339	810000371	810000403
SS	ORDER #	10DT-TSS	12DT-TSS	14DT-TSS	16DT-TSS
	STOCK #	810000302	810000340	810000372	810000404
SIZE		18"	20"	22"	24"
A		18"	20"	22"	24"
B		20"	22"	24"	26"
C		14"	15"	16"	17"
D		14"	15"	16"	17"
E		28"	30"	32"	34"
GA	ORDER #	18DT-T	20DT-T	22DT-T	24DT-T
	STOCK #	810000439	810000463	810000486	810000509
SS	ORDER #	18DT-TSS	20DT-TSS	22DT-TSS	24DT-TSS
	STOCK #	810000440	810000464	810000487	810000510

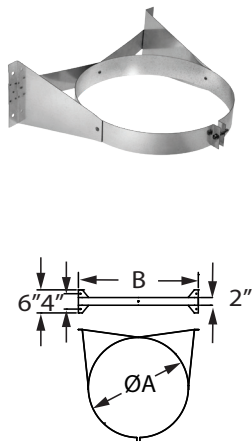
### Tee Support Bracket



Use as wall support for chimney system. Supports up to 30' of DuraTech Chimney. Attaches to chimney pipe. Can be installed above or below the Tee. If installed below the Tee, a short section of pipe is required.

SIZE	10"	12"	14"	16"
A	12"	14"	16"	18"
B	14"	16"	18"	20"
C	15 1/8"	17 1/8"	19 1/8"	21 1/8"
ORDER #	10DT-TSB	12DT-TSB	14DT-TSB	16DT-TSB
STOCK #	810000303	810000341	810000373	810000405

### Wall Strap



Use in interior or exterior installations to add lateral support to the chimney. Assures a 2" clearance to combustible walls. Required every 4'.

SIZE	10"	12"	14"	16"
A	12"	14"	16"	18"
B	16"	18"	20"	22"
ORDER #	10DT-WS	12DT-WS	14DT-WS	16DT-WS
STOCK #	810000316	810000353	810000385	810000417

SIZE	18"	20"	22"	24"
A	20"	22"	24"	26"
B	23"	25"	27"	29"
ORDER #	18DT-WS	20DT-WS	22DT-WS	24DT-WS
STOCK #	810000441	810000465	810000488	810000511

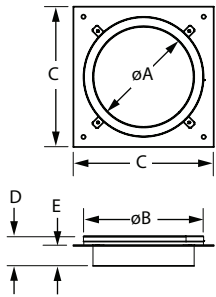
### Finishing Collar



Fits on the female end of the chimney pipe to provide a flue extension for transition from appliance connector pipe. Note: 10" collar has a decorative black finish.

SIZE	10"	12"	14"	16"	18"	20"	22"	24"
A	10"	12"	14"	16"	18"	20"	22"	24"
B	12"	14"	16"	18"	20"	22"	24"	26"
ORDER #	10DT-FC	12DT-FC	14DT-FC	16DT-FC	18DT-FC	20DT-FC	22DT-FC	24DT-FC
STOCK #	810000304	810009951	810009952	810009953	810009954	810009955	810009956	810009957

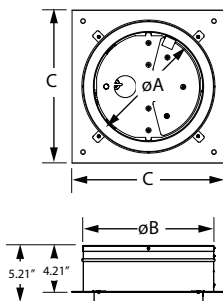
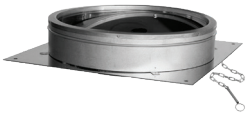
## Anchor Plate



Use as a starter section for DuraTech. Bolts directly to masonry fireplace outlet.

SIZE	10"	12"	14"	16"
A	10"	12"	14"	16"
B	12 1/16"	14 1/16"	16 1/16"	18 1/16"
C	14"	16"	18"	20"
D	1"	1"	1"	1"
E	2"	2"	2"	2"
ORDER #	10DT-AP	12DT-AP	14DT-AP	16DT-AP
STOCK #	810000305	810000342	810000374	810000406
SIZE	18"	20"	22"	24"
A	18"	20"	22"	24"
B	20 1/16"	22 1/16"	24 1/16"	26 1/16"
C	22"	24"	26"	28"
D	1 1/4"	1 1/4"	1 1/4"	1 1/4"
E	2"	2"	2"	2"
ORDER #	18DT-AP	20DT-AP	22DT-AP	24DT-AP
STOCK #	810000431	810000455	810000479	810000502

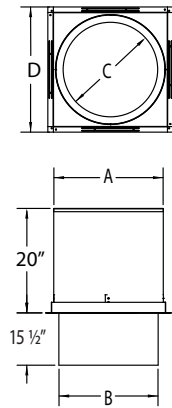
## Anchor Plate w/ Damper



Use as a starter section for DuraTech. Bolts directly to fireplace outlet. Damper section allows chimney to be closed when fireplace is not in use. Includes 3' chain and lintel hook.

SIZE	10"	12"	14"	16"
A	10"	12"	14"	16"
B	12"	14"	16"	18"
C	14"	16"	18"	20"
ORDER #	10DT-APD	12DT-APD	14DT-APD	16DT-APD
STOCK #	810000306	810000343	810000375	810000407
SIZE	18"	20"	22"	24"
A	18"	20"	22"	24"
B	20"	22"	24"	26"
C	22"	24"	26"	28"
ORDER #	18DT-APD	20DT-APD	22DT-APD	24DT-APD
STOCK #	810000432	810000456	810000480	810000503

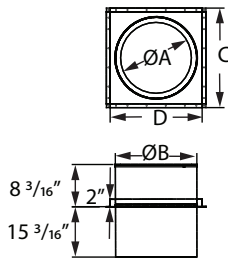
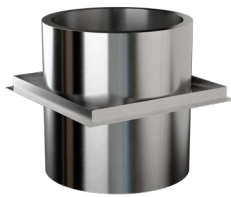
### 10"-16" Firestop Radiation Shield HT



Use in ceiling/floor penetrations other than those that include the ceiling support. Fits on underside of ceiling and adjusts to cover framing. If used in a UL 103 Type HT (10"-16") application, install the Firestop Radiation Shield HT (FRSHT) at ceiling level.

SIZE	10"	12"	14"	16"
A	15"	17"	19"	18"
B	13"	15"	17"	20"
C	12"	14"	16"	22"
D	18"	20"	22"	24"
ORDER #	10DT-FRSHT	12DT-FRSHT	14DT-FRSHT	16DT-FRSHT
STOCK #	810018671	810018672	810018673	810018654

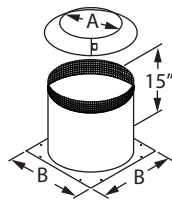
### 18"-24" Firestop Radiation Shield



Use in ceiling/floor penetrations other than those that include the ceiling support. Fits on underside of ceiling and adjusts to cover framing.

SIZE	18"	20"	22"	24"
A	20 1/8"	22 1/8"	24 1/8"	26 1/8"
B	23"	25"	27"	29"
C	26"	28"	30"	32"
D	24"	26"	28"	30"
ORDER #	18DT-FRS	20DT-FRS	22DT-FRS	24DT-FRS
STOCK #	810000433	810000457	810000481	810000504

### Attic Insulation Shield



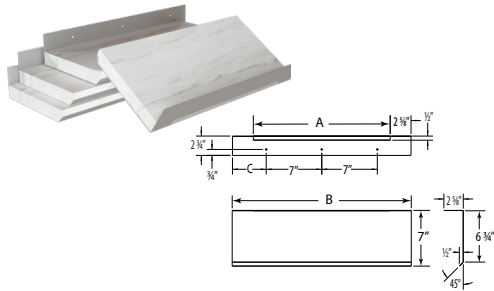
Use in installations that pass through an attic to prevent insulation and debris from accumulating near the chimney, unless the chimney is enclosed through attic. Fits over Firestop Radiation Shield or a support box. Consists of two parts – a collar and a base.

SIZE	10"	12"	14"	16"
A	12"	14"	16"	18"
B	18"	20"	22"	24"
ORDER #	10DT-IS	12DT-IS	14DT-IS	16DT-IS
STOCK #	810000308	810000345	810000377	810000409

SIZE	18"	20"	22"	24"
A	20"	22"	24"	26"
B	26"	28"	30"	32"
ORDER #	18DT-IS	20DT-IS	22DT-IS	24DT-IS
STOCK #	810000434	810000458	810000482	810000505

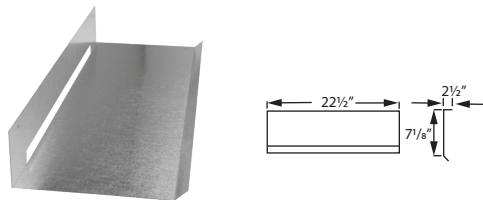
### 10"-16" Roof Radiation Shield HT



Required at top of chase enclosure or where chimney passes through the roof. Four plates (included) make up one shield. Note that the RRSHT is for UL 103 Type HT applications. insulation pads are included, attached to each of the plates.

SIZE	10"	12"	14"	16"
A	11 1/4"	11 1/4"	14 1/4"	14 1/4"
B	15"	15"	19 1/4"	19 1/4"
C	3 1/4"	3 1/4"	1 1/2"	1 1/2"
ORDER #	10DT-RRSHT	12DT-RRSHT	14DT-RRSHT	16DT-RRSHT
STOCK #	810018667	810018668	810018669	810018655

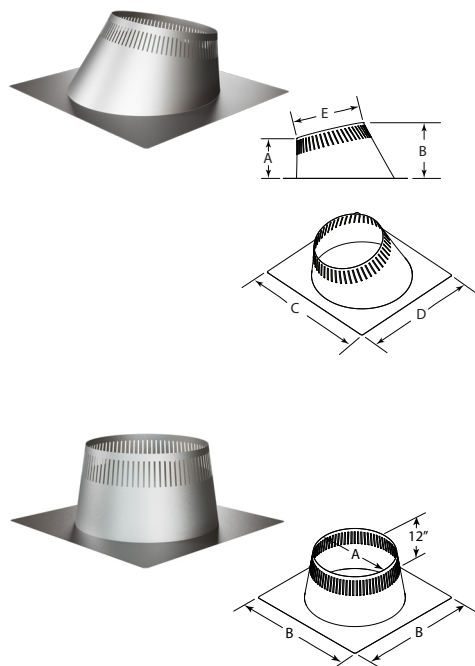
### 18"-24" Roof Radiation Shield



Required at top of chase enclosure or where chimney passes through the roof. Four plates (included) make up one shield.

SIZE	STOCK #
24"	18DT-RRS
STOCK #	810000435

### Ventilated Flashing

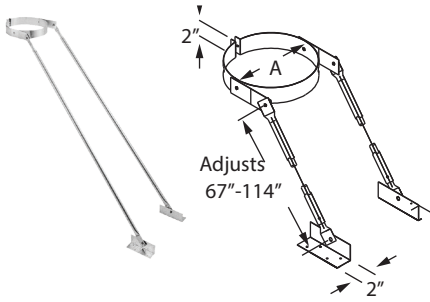


Use to weather proof the penetration of chimney pipe through the roof. Storm Collar required. Select roof flashing based on pitch of roof. For example, a 6/12 pitch has a vertical rise of 6" over a horizontal distance of 12". Made of galvalume.

0/12 - 6/12	10"	12"	14"	16"
A	10"	10 3/8"	11"	10"
B	10 1/4"	14"	16 1/2"	17"
C	29 1/2"	32"	34"	36 1/2"
D	31 1/2"	34"	36"	38 1/2"
E	13 1/4"	15 1/4"	17 1/4"	19 1/4"
ORDER #	10DT-F6HT	12DT-F6HT	14DT-F6HT	16DT-F12HT
STOCK #	810018719	810018720	810018721	810018722

FLAT ROOF	10"	12"	14"	16"
A	12 1/4"	14 1/4"	17"	18 1/4"
B	24"	26"	28"	30"
ORDER #	10DT-FFHT	12DT-FFHT	14DT-FFHT	16DT-FFHT
STOCK #	810018663	810018664	810018665	810018666

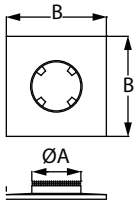
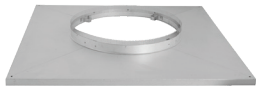
### Extended Roof Bracket



When the chimney extends more than 4 feet above the roofline, an Extended Roof Bracket must be installed. Use one XRB for every 4-feet of chimney height above the roofline. The legs will extend to handle varying roof slopes. Adjustable from 67" to 114".

SIZE	10"	12"	14"	16"
A	12"	14"	16"	18"
ORDER #	10DT-XRB	12DT-XRB	14DT-XRB	16DT-XRB
STOCK #	810000310	810000347	810000379	810000411

### Chase Top Flashing



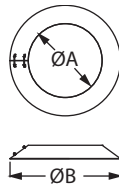
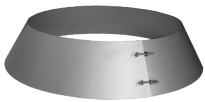
Encloses the top of a chase while providing a ventilation air passage from the chase. UL Listed. Includes spacer clips. Storm Collar not included. Made of galvalume.

SIZE	10"	12"	14"	16"
A	15"	17"	19"	21"
B	34"	36"	38"	40"
ORDER #	10DT-CTF	12DT-CTF	14DT-CTF	16DT-CTF
STOCK #	810000309	810000346	810000378	810000410

SIZE	18"	20"	22"	24"
A	23"	25"	27"	26"
B	40"	40"	40"	40"
ORDER #	18DT-CTF	20DT-CTF	22DT-CTF	24DT-CTF
STOCK #	810000436	810000459	810000483	810000506

### Storm Collar



Required with DuraTech flashing to create a weather-proof penetration through the roof deck. Seal inner edge of the collar to the chimney pipe with non-hardening 500°F high-temperature sealant.

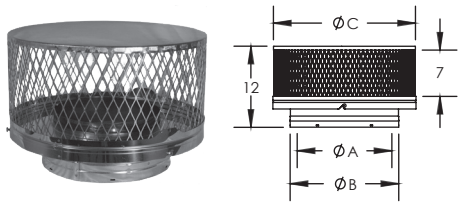
SIZE	10"	12"	14"	16"
A	12"	14"	16"	18"
B	23"	25"	27"	29"
ORDER #	10DT-SC	12DT-SC	14DT-SC	16DT-SC
STOCK #	810000311	810000348	810000380	810000412

SIZE	18"	20"	22"	24"
A	20"	22"	24"	26"
B	31"	33"	35"	37"
ORDER #	18DT-SC	20DT-SC	22DT-SC	24DT-SC
STOCK #	810000437	810000461	810000484	810000507

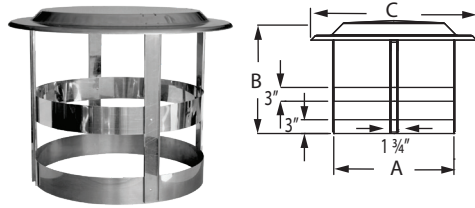


### Chimney Cap



Stainless Chimney Cap minimizes entry of precipitation. 10" to 16" VC1 includes integrated spark arrester. Top lid and spark arrester are easily removed for cleaning without removing cap.

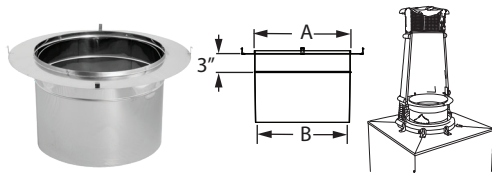
SIZE	10"	12"	14"	16"
A	10"	12"	14"	16"
B	12"	14"	16"	18"
C	18"	21"	21"	23"
ORDER #	10DT-VC1	12DT-VC1	14DT-VC1	16DT-VC1
STOCK #	810014053	810014054	810014055	810014056



18"-24" DIAMETER

SIZE	18"	20"	22"	24"
A	20 1/8"	22 1/8"	24 1/8"	26 1/8"
B	20"	20"	20"	20"
C	30"	32"	34"	36"
ORDER #	18DT-VC	20DT-VC	22DT-VC	24DT-VC
STOCK #	810000438	810000462	810000485	810000508

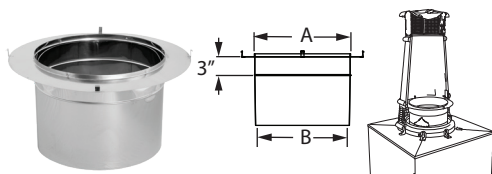
### European Copper Adapter - King Model



Use for installing the European Copper Chimney Pots King model shroud/pot onto DuraTech chimney.

SIZE	10"	12"	14"
A	10"	12"	14"
B	9 1/2"	11 1/2"	13 1/2"
ORDER #	10DCA-ECK	12DCA-ECK	14DCA-ECK
STOCK #	810000801	810000822	810000843

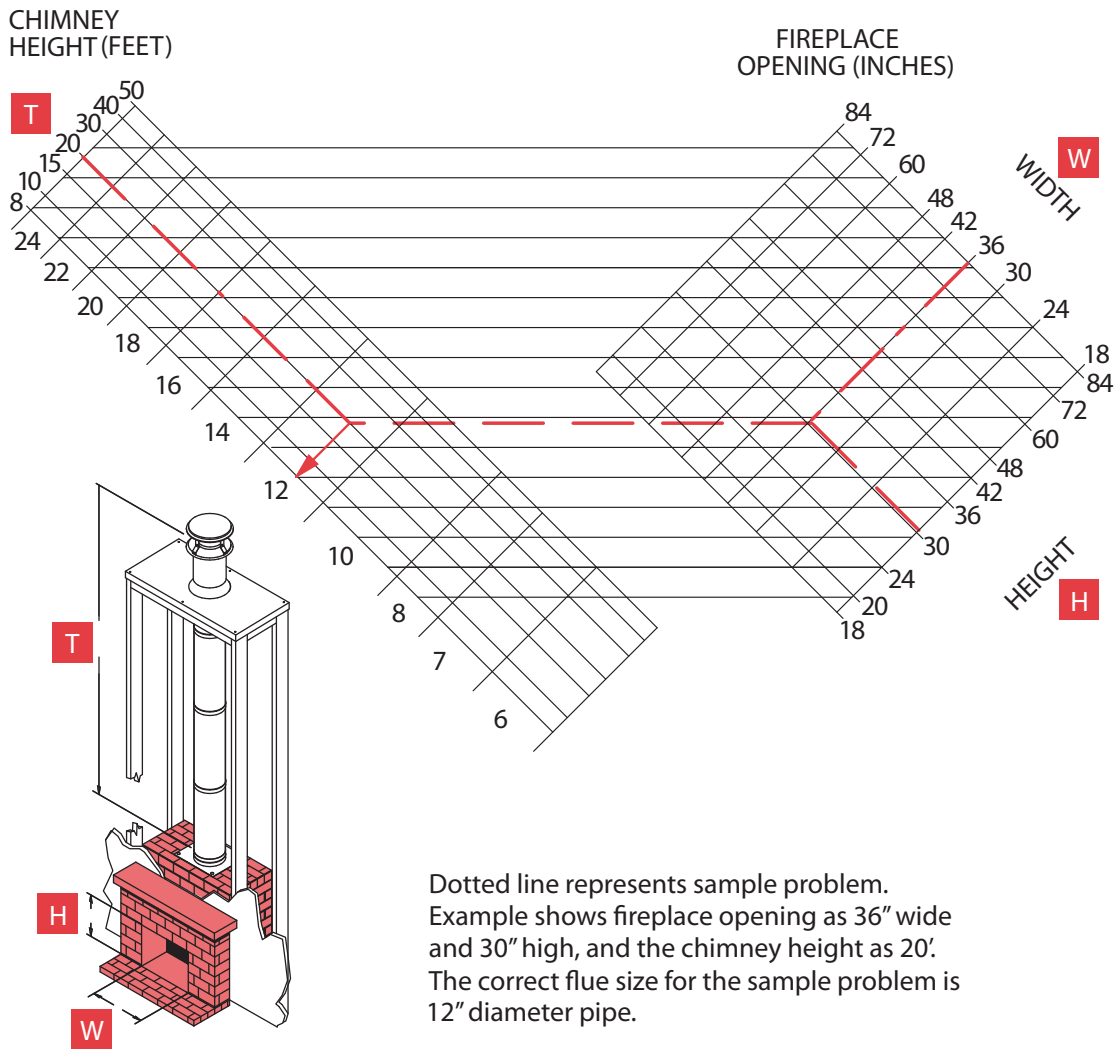
### European Copper Adapter - Bishop Model



Use for installing the European Copper Chimney Pots Bishop model shroud/pot onto DuraTech chimney. King model shown.

SIZE	10"	12"	14"	16"
A	10"	12"	14"	16"
B	9 1/2"	11 1/2"	13 1/2"	15 1/2"
ORDER #	10DCA-ECB	12DCA-ECB	14DCA-ECB	16DCA-ECB
STOCK #	810000802	810000823	810000844	810000864

## Chimney Sizing Chart For Fireplace Installations





BUILD FOR THE FUTURE

Customer Service and Support:

Airmate (USA).....	800.992.8368
Airmate (CAN) .....	888.735.5475
Ameriflow .....	800.252.8467
Amerivent (Retail).....	800.252.8467
Amerivent (Hearth & Wholesale) ....	800.423.4270
Amerivent (Support).....	800.748.0392
AMPCO (USA) .....	800.669.3269
AMPCO (CAN).....	888.735.5475
Builder's Best.....	903.586.8283
Duravent .....	800.835.4429
Hart & Cooley.....	800.433.6341
Hart & Cooley (Support) .....	800.748.0392
Heatfab (USA).....	800.772.0739
Heatfab (CAN) .....	800.848.2149
Lima.....	800.423.4270
Milcor .....	800.774.5240
Portals Plus.....	800.774.5240
RPS.....	800.624.8642
Security Chimney (USA).....	800.361.4909
Security Chimney (CAN) .....	800.667.3387
Selkirk (USA) Residential .....	800.992.8368
Selkirk (USA) Commercial.....	800.848.2149
Selkirk (USA) Support.....	800.748.0392
Selkirk (CAN) .....	888.735.5475

Manufacturing & Distribution Centers:

CANADA	
Nobel, ON	Manufacturing
Laval, QC	Manufacturing
Prescott, ON	Distribution
USA	
Grand Rapids, MI	Center of Excellence
Dallas, TX	Distribution
Englewood, OH	Distribution
Huntsville, AL	Manufacturing & Distribution
Las Vegas, NV	Distribution
Turner Falls, MA	Manufacturing & Distribution
Vacaville, CA	Manufacturing
MEXICO	
Ojinaga, MX	Manufacturing
Mexicali, MX	Manufacturing

Corporate Headquarters:

Duravent Group  
28 W. Adams, Suite 1810  
Detroit, MI 48226  
Tel: 800.835.4429  
info@duraventgroup.com  
www.duraventgroup.com

 AMERIVENT®

**duravent™**

**HART** *COOLEY*®

 security®  
Chimneys

 SELKIRK®

**duravent™**  
GROUP

BUILD FOR THE FUTURE

[www.duraventgroup.com](http://www.duraventgroup.com)



For warranty information:  
Scan this QR code or visit  
[www.duraventgroup.com/warranties](http://www.duraventgroup.com/warranties)

© 2025 Duravent Group. All rights reserved.  
DV\_DT-LDC\_CT-001E\_01-25