

**duravent™**

# PelletVent®

Multi-fuel Venting System

UL 641



**AV**

## Specifications

### Applications

PelletVent is designed for venting of pellet stoves and inserts. Consult appliance manual for additional requirements.

### Materials and Construction

PelletVent is a double-wall pipe, with a stainless steel inner wall and galvalume outer wall.

Black painted product available.

### Clearances

1" clearance to combustibles for appliances using wood pellets.

### Diameters

3" & 4"

### Listings

c-UL-us Listed to UL 641 (MH8381 and MH14420).



## UL 641System

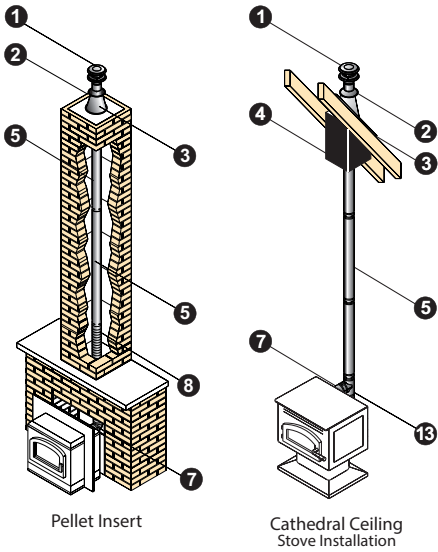
### PelletVent for multi-fuels

PelletVent is an innovative venting system for pellet stoves and inserts. Select components are available in black to enhance interior aesthetics.

PelletVent is UL listed for 1" clearance to combustibles in the USA. Its double-wall, air-insulated design offers superior performance. PelletVent seams are factory-sealed on all elbows, tees, and fittings.



## Typical Installations

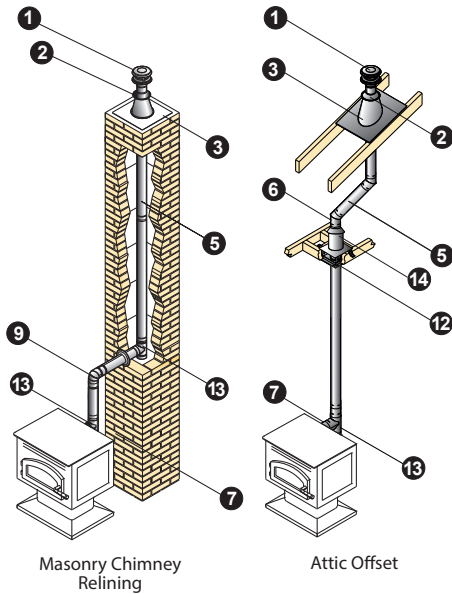


Pellet Insert

Cathedral Ceiling Stove Installation

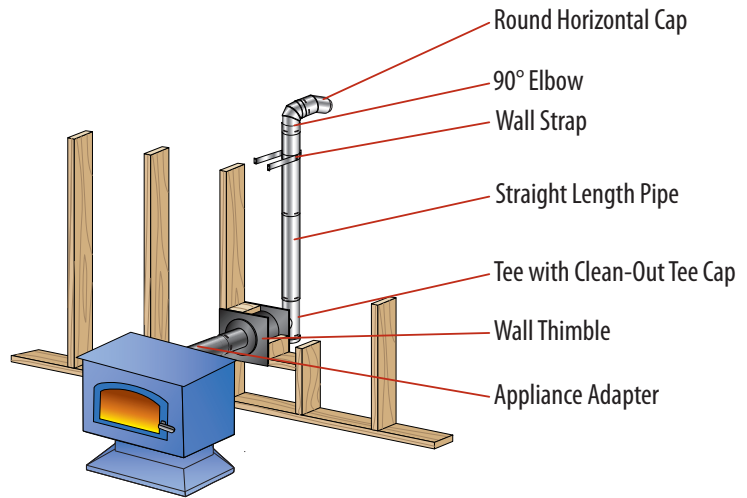
Installation Key			
1	Vertical Cap	8	60" Flexible Length
2	Storm Collar	9	90° Elbow
3	Flashing	10	Horizontal Cap
4	Cathedral Ceiling Support Box	11	Wall Thimble
5	Pipe	12	Ceiling Support Firestop Spacer
6	45° Elbow	13	Tee w/Clean-Out Tee Cap
7	Appliance Adapter	14	Attic Insulation Shield

- Refer to our Typical Venting Installation drawings to select the appropriate component parts for your installation.
- The inner pipe diameter should match the outlet size of the appliance. For installations that require 4" vent and the appliance has a 3" outlet, use an Increaser Adapter 3"-4".
- Check the appliance manufacturer's installation instructions to confirm which types of vent configurations are permitted (i.e. horizontal, vertical, chimney reline, etc.). Also, check for any venting restrictions such as maximum horizontal run, minimum and maximum vertical rise, maximum offset, etc.
- Be fire safe! Maintain the minimum clearances (air-space) between the vent pipe and nearby combustibles, as specified in the appliance manufacturer's installation instructions. Use proper support and bracing. Follow local building codes and have your venting system inspected.



Masonry Chimney Reline

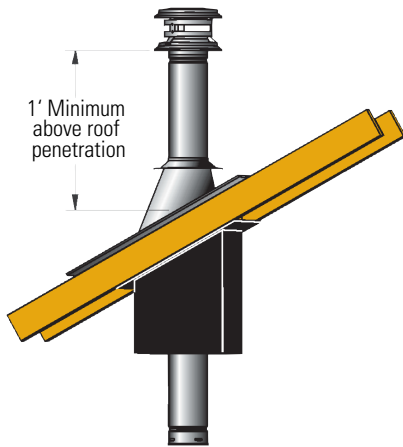
Attic Offset



## Planning Your Installation

1	Refer to the Typical PelletVent Installations diagram, on the opposite page, to be familiar with some of the standard PelletVent installations and the required component parts.
2	For a horizontal termination, you will need a Wall Thimble and a Horizontal Cap. The cap must be installed with a 6" clearance to the outside wall (refer to appliance manufacturer's installation instructions for other clearances).
3	For a vertical termination, you will need a Cathedral Ceiling Support Box or Flat Ceiling Support, Attic Insulation Shield (if passing through an attic), Flashing, Storm Collar, and Vertical Cap.
4	Determine the length of PelletVent pipe required. For a vertical termination, measure the pitch of the roof and select the proper flashing. The required minimum height above the roof is 12".
5	Pellet stove inserts in masonry fireplaces will require a flex pipe to snake the vent past the smoke shelf. For transition from PelletVent to an existing DuraPlus Chimney, a Chimney Adapter is available.
6	For vertical rise of PelletVent on the outside of the house, Wall Straps should be used at 4' intervals to provide proper support.
7	Important! Check to be sure that the appliance and the venting system are in compliance with all minimum clearance to combustibles requirements.

## Design Recommendations



The following design recommendations are intended only as a general guideline to assist in the design and selection of venting components for your installation. Always read and follow Installation instructions before installing your chimney system (found with the cap or support box). Installation instructions can be viewed online at [www.duravent.com](http://www.duravent.com), under Catalogs and Instructions.

- Size the vent to meet the appliance manufacturer's specifications.
- Avoid long runs and excessive use of elbows. Refer to the appliance manufacturer for minimum rise and maximum run configurations for the venting system.
- Use an Appliance Adapter to ensure a proper connection to the appliance. Seal adapter to appliance with high temperature sealant.
- Use a Single Tee with Clean-Out Tee Cap to facilitate easy cleaning. It is recommended to use a tee off the back of an appliance.
- Maintain the minimum 1" clearance (air space) from vent pipe to combustibles. Use proper support and bracing. Follow local building codes and have your venting system inspected. Be fire safe!

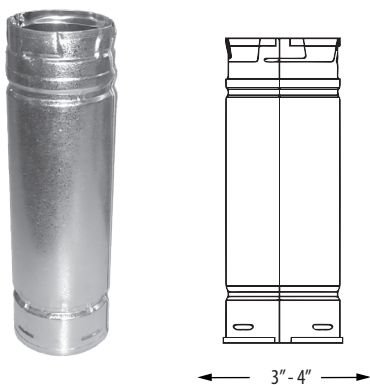
### Horizontal Kit



Kit includes: Round Horizontal Cap, 90° Elbow, Wall Strap, Five 12" Pipe Lengths, Tee with Clean-out Tee Cap, Wall Thimble, Appliance Adapter.  
4" Kit includes a 3"-4" Appliance Adapter/Incraser.

SIZE	ORDER #	STOCK #
3"	3PVL-KHA	810001437
4"	4PVL-KHA	810001438

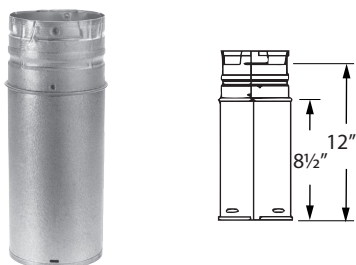
### Straight Pipe Length



Features fully unitized, twist-lock construction in 3" and 4" diameters. Listed at 1" clearance to combustibles. It can be used in both vertical and horizontal installations. Stainless steel wall combined with a galvanized outer wall. Pipe OD is diameter plus 5/8". Galvalume or painted black outer finish. 12" length available with stainless steel outer (SS).

SIZE	3"		4"	
	ORDER #	STOCK #	ORDER #	STOCK #
6"	3PVL-06	810001439	4PVL-06	810001478
6" BLACK	3PVL-06B	810001440	4PVL-06B	810001479
12"	3PVL-12	810001441	4PVL-12	810001480
12" BLACK	3PVL-12B	810001442	4PVL-12B	810001481
12" SS	3PLV-12SS	810013695	4PVL-12SS	810013696
24"	3PVL-24	810001443	4PVL-24	810001482
24" BLACK	3PVL-24B	810001444	4PVL-24B	810001483
36"	3PVL-36	810001445	4PVL-36	810001484
36" BLACK	3PVL-36B	810001446	4PVL-36B	810001485
60"	3PVL-60	810001447	4PVL-60	810001486
60" BLACK	3PVL-60B	810001448	4PVL-60B	810001487

### Adjustable Pipe Length



Use to add length to PelletVent pipe. 12" pipe adds 3"-10" of length when used with rigid sections of pipe. Galvalume or painted black outer finish.

SIZE	3"		4"	
	ORDER #	STOCK #	ORDER #	STOCK #
12"	3PVL-A12	810001449	4PVL-A12	810001488
12" BLACK	3PVL-A12B	810001450	4PVL-A12B	810001489

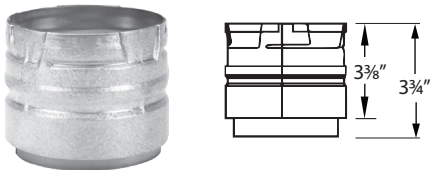
### Flex Pipe



Use when relining masonry chimney. Allows for offsets with pellet-burning appliances. Female and male ends twist-lock. Female end swivels for easy alignment. 60° flex section. Not for use in attic or wall spaces.

SIZE	3"		4"	
	ORDER #	STOCK #	ORDER #	STOCK #
60°	3PVL-60F	810001451	4PVL-60F	810001490

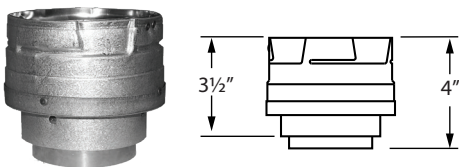
### Appliance Adapter



Use to attach to appliance outlet allowing for easy pipe connection. Seal adapter to appliance with high temperature sealant.

SIZE	ORDER #	STOCK #
3"	3PVL-AD	810001452
4"	4PVL-AD	810001491

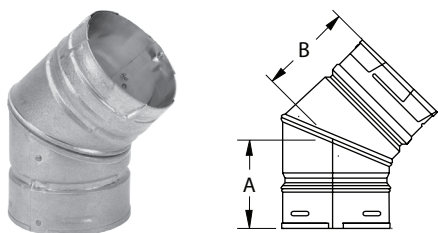
### Appliance Adapter/Increaser



Use to attach to appliance outlet allowing for easy pipe connection. Allows connection of 4" vent to 3" appliance outlet. Seal adapter to appliance with high temperature sealant.

SIZE	ORDER #	STOCK #
3" - 4"	3PVL-X4AD	810001454

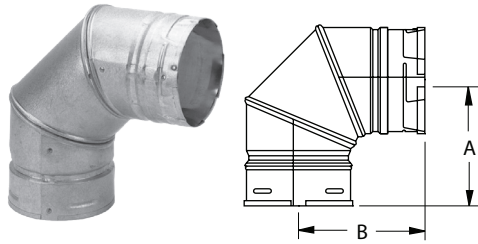
### 45° Elbow



Offsets obstructions as needed. Elbows swivel 360° at base. Angle not adjustable.

SIZE	ORDER #	STOCK #	A	B
3"	3PVL-E45	810001455	3 7/8"	4"
3" BLACK	3PVL-E45B	810001456	3 7/8"	4"
4"	4PVL-E45	810001493	3 7/8"	4"
4" BLACK	4PVL-E45B	810001494	3 7/8"	4"

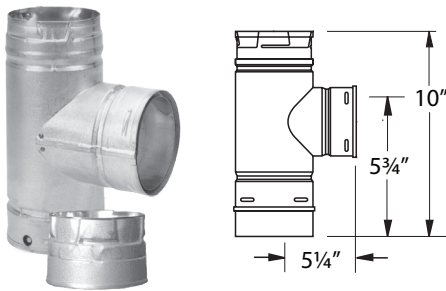
### 90° Elbow



Offsets obstructions as needed. Elbows swivel 360° at base. Angle not adjustable.

SIZE	ORDER #	STOCK #	A	B
3"	3PVL-E90	810001457	5 1/2"	5 1/2"
3" BLACK	3PVL-E90B	810001458	5 1/2"	5 1/2"
4"	4PVL-E90	810001495	5 1/2"	5 1/2"
4" BLACK	4PVL-E90B	810001496	5 1/2"	5 1/2"

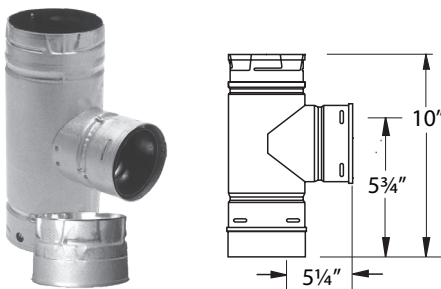
### Single Tee With Clean-Out Tee Cap



Use for a 90° offset. Branch swivels for alignment. Removable twist-lock Clean-Out Tee Cap.

SIZE	ORDER #	STOCK #
3"	3PVL-T	810001459
3" BLACK	3PVL-TB	810001460
4"	4PVL-T	810001497
4" BLACK	4PVL-TB	810001498

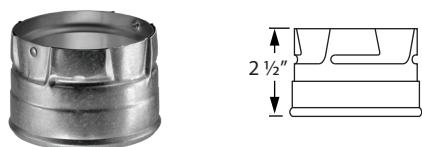
### Increaser Tee With Clean-Out Tee Cap



Attaches 3" pipe to branch and 4" pipe to body. Use for a 90° offset. Branch swivels for alignment. Removable twist-lock Clean-Out Tee Cap.

SIZE	ORDER #	STOCK #
4"	4PVL-T3	810001499
4" BLACK	4PVL-T3B	810001500

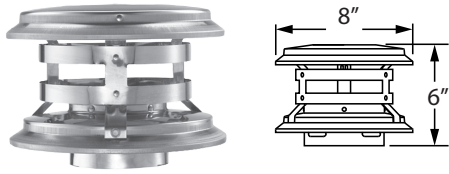
### Clean-Out Tee Cap



Use as a replacement Clean-Out Tee Cap.

SIZE	ORDER #	STOCK #
3"	3PVL-CO	810001461
3" BLACK	3PVL-COB	810001462
4"	4PVL-CO	810001501
4" BLACK	4PVL-COB	810001502

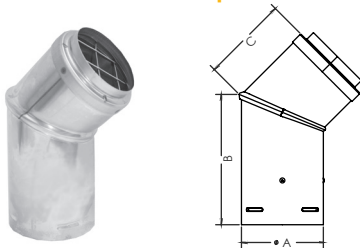
### Vertical Cap



Use for vertical installations only. Required where pipe terminates above the roofline.

SIZE	ORDER #	STOCK #
3"	3PVL-VC	810001463
4"	4PVL-VC	810001503

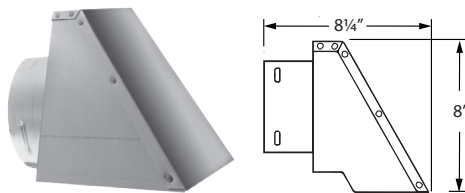
### Round Horizontal Cap



Use for horizontal terminations only. Cap features swivel collar to adjust exhaust direction. Cap features an optional swivel base.

SIZE	ORDER #	STOCK #	A	B	C
3"	3PVL-HCR	810013377	3 5/8"	5 7/8"	4"
4"	4PVL-HCR	810013378	4 5/8"	5 7/8"	4 1/4"

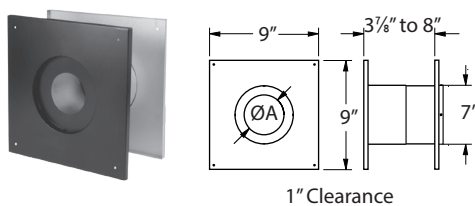
### Square Horizontal Cap



Use for horizontal terminations only. Cap features swivel collar to adjust exhaust direction. Cap features a swivel base.

SIZE	ORDER #	STOCK #
3"	3PVL-HSC	810001464
4"	4PVL-HSC	810001504

### Wall Thimble

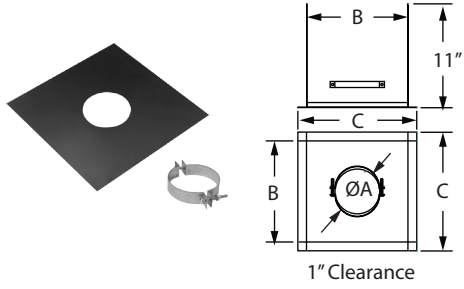


Use to provide required 1" clearance to combustibles. Fits between standard wall studs. Comes with an insulation ring to cut drafts where the pipe slips through the thimble.

SIZE	ORDER #	STOCK #	A
3"	3PVL-WT	810001465	3 3/4"
4"	4PVL-WT	810001505	4 3/4"



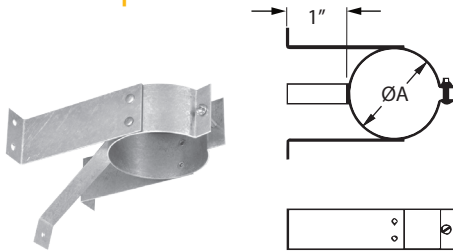
### Ceiling Support Firestop Spacer



Required where vent passes through ceiling. Centers pipe to provide proper 1" clearance. Support Clamp included. Painted black.

SIZE	ORDER #	STOCK #	A	B	C
3"	3PVL-FS	810001466	3 3/4"	9 5/8"	11 5/8"
4"	4PVL-FS	810001506	4 3/4"	10 5/8"	12 5/8"

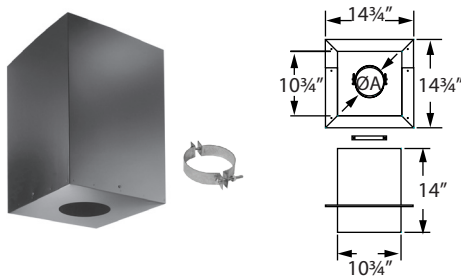
### Wall Strap



Use to support vent pipe or tee sections. Provides 1" clearance.

SIZE	ORDER #	STOCK #	A
3"	3PVL-WS	810001467	3 5/8"
4"	4PVL-WS	810001507	4 5/8"

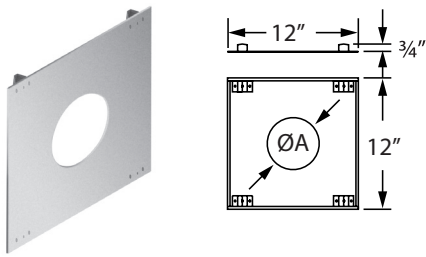
### Cathedral Ceiling Support Box



Use to support pipe. May be used on flat ceilings. Painted black. Trim and clamp included.

SIZE	ORDER #	STOCK #	A
3"	3PVL-CS	810001468	3 3/4"
4"	4PVL-CS	810001508	4 3/4"

### House Shield



Use to protect exterior of structure from blower discharge in horizontal venting applications.

SIZE	ORDER #	STOCK #	A
3"	3PVL-HS	810001469	3 3/4"
4"	4PVL-HS	810001509	4 3/4"

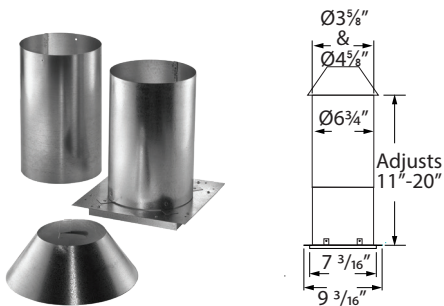
### Storm Collar



Use to maintain a weather tight resistant seal between the pipe and the flashing. Seal the under side with 500° F silicone sealant to the vent.

SIZE	ORDER #	STOCK #	A	B
3"	3PVL-SC	810001470	3 5/8"	7 3/8"
4"	4PVL-SC	810001510	4 5/8"	8 1/8"

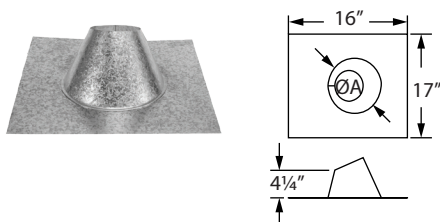
### Attic Insulation Shield



Required for installations that pass through an attic to prevent insulation and debris from accumulating near the vent. Provides 1" clearance to combustibles.

SIZE	ORDER #	STOCK #
3" - 4"	3PVL-IS	810001471

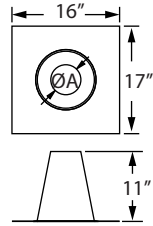
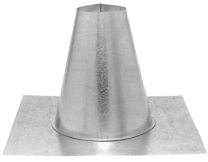
### Adjustable Roof Flashing



Use to weather proof the penetration of vent pipe through the roof. Storm Collar required. Select roof flashing based on pitch of roof. For pitches of 0/12 - 6/12. For steep roof pitches, refer to the Gas Vent catalog. Made of galvalume.

SIZE	ORDER #	STOCK #	A
3"	3PVL-F	810001472	3 3/4"
4"	4PVL-F	810001511	4 3/4"

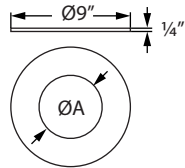
### Tall Cone Roof Flashing



Use to weather proof the penetration of vent pipe through the roof. Storm Collar required. Select roof flashing based on pitch of roof. Use on flat roofs, chase enclosures, or masonry chimney. Made of galvalume.

SIZE	ORDER #	STOCK #	A
3"	3PVL-FF	810001473	3 ¾"
4"	4PVL-FF	810001512	4 ¾"

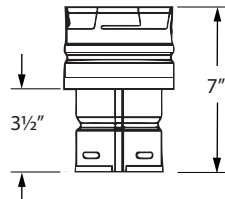
### Increaser



Use to transition from 3" pipe to a 4" pipe. Not a deceiver or stove adapter.

SIZE	ORDER #	STOCK #
3" - 4"	3PVL-X4	810001475

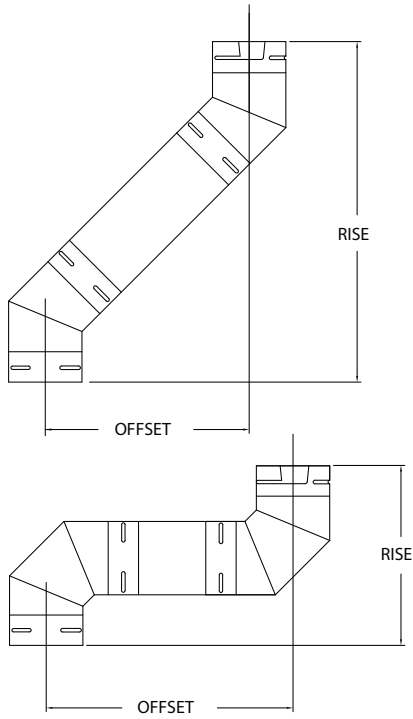
### Chimney Adapter



Use to transition between PelletVent to existing chimney such as DuraPlus. Requires a DVL/DuraBlack Chimney Adapter to fasten into support box or wall thimble. For 6", use adapter 3PVL-X6 and 4PVL-X6, for 8", use adapter 3PVL-X8 and 4PVL-X8.

SIZE	ORDER #	STOCK #
3" - 6"	3PVL-X6	810001476
3" - 8"	3PVL-X8	810001477
4" - 6"	4PVL-X6	810001514
4" - 8"	4PVL-X8	810001515

### Offset Chart



Elbow Angle from Vertical	Chimney Length Between Elbows	Ø3" Offset	Ø3" Rise	Ø4" Offset	Ø4" Rise
45°	0"	4 ¼"	11"	5"	12 ¾"
45°	6"	8"	14 ¾"	8 ⅝"	16 ⅜"
45°	12"	12 ¼"	19"	13 ½"	21 ⅞"
45°	24"	20 ¾"	27 ⅜"	21 ⅞"	29 ⅝"
45°	36"	29 ¼"	36"	30 ⅜"	38 ⅞"
45°	24" + 24"	36 ⅝"	43 ⅜"	37 ¾"	45 ½"
45°	60"	46 ⅞"	52 ⅞"	46 ¾"	54 ½"
45°	36" + 36"	53 ½"	60 ⅜"	54 ¼"	62"
90°	0"	9 ⅞"	10 ⅜"	10 ⅝"	11 ⅜"
90°	6"	14 ⅞"	10 ⅜"	15 ⅞"	11 ⅜"
90°	12"	20 ⅞"	10 ⅜"	21 ⅞"	11 ⅜"
90°	24"	32 ⅞"	10 ⅜"	33 ⅞"	11 ⅜"
90°	36"	44 ⅞"	10 ⅜"	45 ⅞"	11 ⅜"
90°	24" + 24"	54 ⅝"	10 ⅜"	55 ⅞"	11 ⅜"
90°	60"	68 ⅞"	10 ⅜"	69 ⅞"	11 ⅜"
90°	36" + 36"	78 ⅝"	10 ⅜"	79 ⅞"	11 ⅜"







BUILD FOR THE FUTURE

Customer Service and Support:

Airmate (USA).....	800.992.8368
Airmate (CAN) .....	888.735.5475
Ameriflow .....	800.252.8467
Amerivent (Retail).....	800.252.8467
Amerivent (Hearth & Wholesale) ....	800.423.4270
Amerivent (Support).....	800.748.0392
AMPCO (USA) .....	800.669.3269
AMPCO (CAN).....	888.735.5475
Duravent .....	800.835.4429
Hart & Cooley.....	800.433.6341
Hart & Cooley (Support) .....	800.748.0392
Heatfab (USA).....	800.772.0739
Heatfab (CAN) .....	800.848.2149
Lima.....	800.423.4270
Milcor .....	800.774.5240
Portals Plus.....	800.774.5240
RPS.....	800.624.8642
Security Chimney (USA).....	800.361.4909
Security Chimney (CAN) .....	800.667.3387
Selkirk (USA) Residential .....	800.992.8368
Selkirk (USA) Commercial.....	800.848.2149
Selkirk (USA) Support.....	800.748.0392
Selkirk (CAN) .....	888.735.5475

Manufacturing & Distribution Centers:

CANADA	
Nobel, ON	Manufacturing
Laval, QC	Manufacturing
Prescott, ON	Distribution
USA	
Grand Rapids, MI	Center of Excellence
Dallas, TX	Distribution
Englewood, OH	Distribution
Huntsville, AL	Manufacturing & Distribution
Mira Loma, CA	Distribution
Nampa, ID	Manufacturing & Distribution
Turner Falls, MA	Manufacturing & Distribution
Vacaville, CA	Manufacturing
MEXICO	
Ojinaga, MX	Manufacturing
Mexicali, MX	Manufacturing

Corporate Headquarters:

Duravent Group  
 28 W. Adams, Suite 1810  
 Detroit, MI 48226  
 Tel: 800.835.4429  
 Email: [info@duraventgroup.com](mailto:info@duraventgroup.com)  
[www.duraventgroup.com](http://www.duraventgroup.com)

duravent™

**duravent**™  
GROUP

BUILD FOR THE FUTURE

[www.duraventgroup.com](http://www.duraventgroup.com)



For warranty information:  
Scan this QR code or visit  
[www.duraventgroup.com/warranties](http://www.duraventgroup.com/warranties)