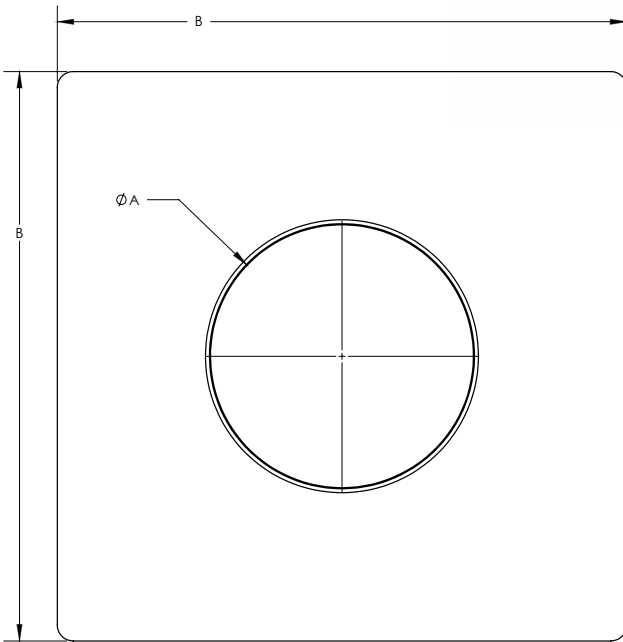
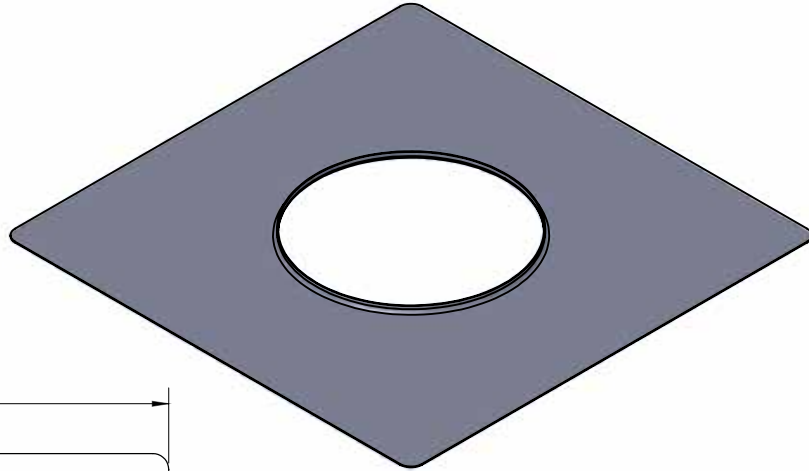


FasNSeal FLEX Top Cover Plates

- Supports FSFLEXRC Terminations
- Certified to ULC S636 and UL 1738



Size	Order #	Stock #	ØA	B
2"	FSFLEXP2	810013325	2 1/2"	16"
3"	FSFLEXP3	810013326	3 3/10"	18"
4"	FSFLEXP4	810013327	4 3/10"	18"
5"	FSFLEXP5	810013323	5 3/10"	18"
6"	FSFLEXP6	810013329	6 3/10"	18"
7"	FSFLEXP7	810013330	7 3/10"	18"
8"	FSFLEXP8	810013331	8 3/10"	18"
9"	FSFLEXP9	810013332	9 3/10"	18"
10"	FSFLEXP10	810013333	10 3/10"	18"
12"	FSFLEXP12	810013334	12 3/10"	18"

For current pricing and availability, please call customer service at (800) 835-4429.

Information published in all M&G DuraVent bulletins is current at time of publication and is subject to change without notice.