

# Installation

## How To Plan Your Chimney Installation

The following recommendations are a general guideline to assist in the layout and selection of the chimney components needed for your installation. Always follow DuraVent Installation instructions when installing your chimney system (enclosed with any support). Installation instructions can be viewed online at [www.duravent.com](http://www.duravent.com)

- The diameter of the chimney should match the outlet size of the appliance. An improperly sized chimney results in poor draft and excessive creosote formation.

- Measure the diameter of the appliance flue outlet. Select the chimney and either DVL, DDW, or DuraBlack connector stovepipe with the same size diameter as the appliance flue outlet.

- Determine if the installation is a through-the-roof installation or a through-the-wall installation. A through-the-wall installation will require additional components (Wall Thimble, Tee/Cap, Tee Support, Wall Bands, Flue Extension, and Decorative Collar).

- Install the chimney in the interior of the structure whenever possible. A cold exterior chimney will produce less draft and will generate more creosote.

- If possible avoid offsets that serve to restrict the natural draft. A straight vertical installation is more efficient and less likely to develop creosote. If an offset is required to avoid rafters or other obstructions, measure the horizontal distance required and the vertical height available. 15°, 30° and 45° elbows are available. (Note: 45° elbows are only allowed in Canada. The maximum angle allowed in the U.S. is 30°.) A maximum of two offsets (four elbows) in a single installation are permitted. At least one suitable support if required for each offset.

- Determine the minimum chimney height above the roof line. Building codes require a minimum of 3' above the roof penetration and at least 2' higher than any portion of a building within 10'. See Figure 1. The termination cap is installed above that point. If chimney is more than 5' above the roof penetration a Roof Brace is required.

- Measure the roof pitch. For example, a 6/12 pitch has a vertical rise of 6" over a horizontal distance of 12". Select the appropriate flashing.

- Determine the total length of chimney and stovepipe required for the installation. To calculate the installed length of 6"-8" DuraTech Premium chimney pipe, subtract 1" per joint. Subtract 1 1/4" per joint of DuraBlack stovepipe. Subtract 3/4" per joint of DVL or 1 1/8" of DDW stovepipe. Minimum chimney height, at sea level, of straight vertical chimney, is 10' to 15' above the appliance outlet. Higher elevations, or the use of elbows or a tee, will require approximately 30% to 60% more height to provide for an adequate draft.

- Be fire safe. Maintain at least 2" clearance to combustibles. Follow local building codes and have your chimney inspected by a certified professional.

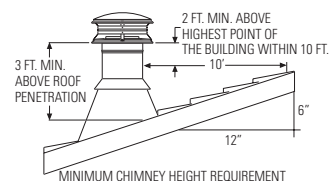
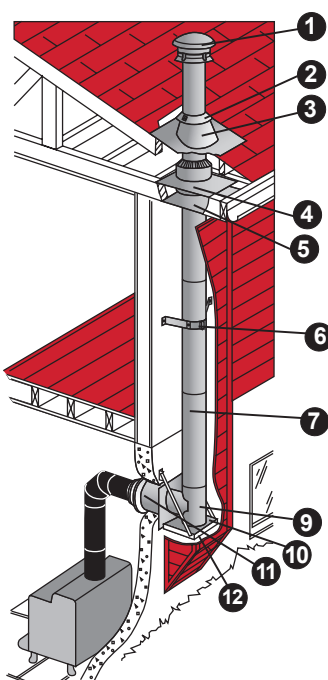
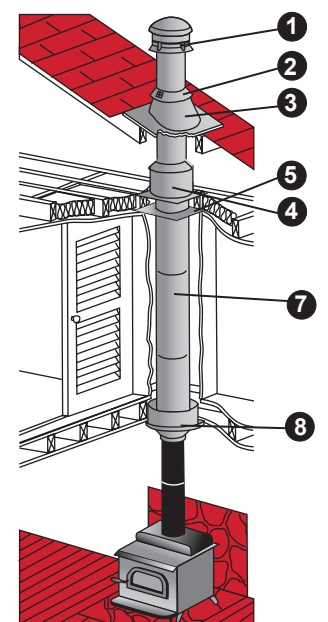


Figure 1

# Typical Installations



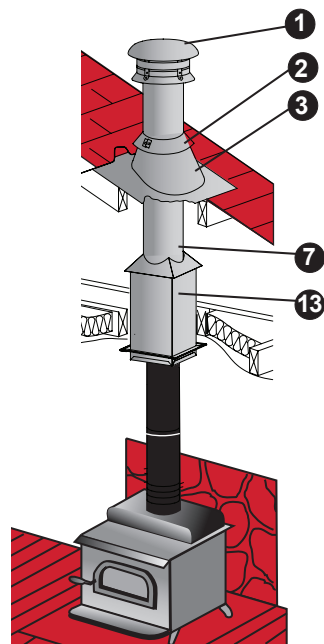
Exterior installation to a wood stove



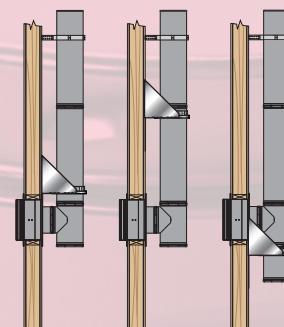
Multi-story Woodstove

Installation Key			
1	Rain Cap	7	Length
2	Storm Collar	8	Round Finishing Support
3	Adjustable Roof Flashing	9	Insulated Tee
4	Attic Radiation Shield	10	Tee Support
5	Firestop	11	Wall Thimble
6	Wall Band	12	Twist-Lock Tee Cap (Clean-out)
		13	Reduced Clearance Support

For guidance in selecting stovepipe components, see our catalogs for Duravent's DVL, DDW, or DuraBlack stovepipe.



Single-Story Woodstove



## Safe and Precise Installations

DuraTech Premium chimney systems can be installed efficiently and precisely. The Adjustable Tee Support can be installed in many configurations to accommodate the support of the tee and chimney in many situations. The Adjustable Tee and Wall Band can also be adjusted 2-6" from a wall. Increased flexibility with chimney pipe that comes in lengths from 8 inches to 48 inches!

# Contact

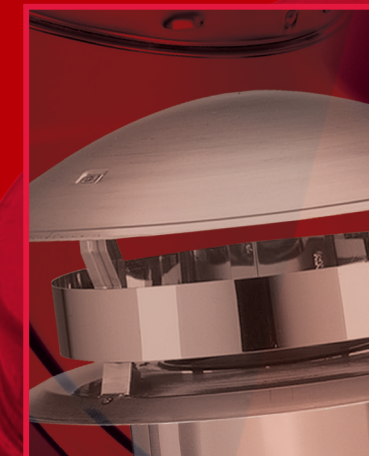
## Professional Technical Help

DuraVent prides itself on providing the best customer service and technical support in the industry.

Our Customer Support Team is available to answer technical questions.

Monday – Friday  
5:30am – 4pm Pacific | 8:30am – 7pm Eastern

Tel: 800-835-4429  
Fax: 707-446-4740  
[customerservice@duravent.com](mailto:customerservice@duravent.com)  
[techsupport@duravent.com](mailto:techsupport@duravent.com)



High Temperature,  
2" Insulated Double-Wall,  
All-Fuel Chimney System.  
ULC S629, UL 103HT.

Only Available in Canada



Leaders in-Venting Innovation™

800.835.4429 | 707.446.4740 Fax | [www.duravent.com](http://www.duravent.com)  
L160\_810014058\_Brochure\_DuraTech Premium\_07-21-21\_V6

DuraVent®

DuraTech® Premium

# DuraTech® Premium

## Applications

DuraTech Premium is a double-wall, all fuel chimney system for use with wood stoves; fireplaces; and appliances burning wood, oil, gas, or coal.

## Materials and Construction

2" of Mineral fiber insulation encased between inner and outer walls of .016" Stainless Steel. Laser welded seam.

## Clearances

2" clearance to combustibles.

## Diameters

6", 7", 8"

## Listings

Listed to UL 103HT and ULC S629 by Intertek.



Intertek



# DuraVent®

## DuraTech Premium

Twist-lock feature allows you to assemble DuraTech Premium quickly and precisely without the need for locking bands.

Designed for normal, continuous operation up to 1200°F (650°C) flue gas temperatures. DuraTech Premium meets the rigorous and stringent requirements of the ULC S629 standard, including one hour at 1700°F (925°C), plus three thirty minute chimney fire tests at 2100°F (1150°C).

	<b>Wall Support Kit</b> Through-Wall Option #1: Kit includes: Insulated Wall Thimble, Tee, Twist-Lock Tee Cap, Wall Support, Wall Band, Flue Extension, Decorative Collars for both DVL and DDW stove pipe, and Rain Cap.
	<b>Interior Installation Kit</b> Kit includes: Round Finishing Support, Adjustable Attic Radiation Shield, and Rain Cap.
	<b>Exterior Installation Kit</b> Through-Wall Option #2: Kit includes: Insulated Wall Thimble, Tee, Twist-Lock Tee Cap, Tee Support with Coupler, Wall Band, Flue Extension, Decorative Collars for both DVL and DDW stove pipe, Rain Cap, and Spark Arrester.
	<b>Chimney Length</b> Stainless steel inner and outer walls. Available in 8", 12", 18", 24", 36", 48" lengths.
	<b>Adjustable Length</b> Used in combination with straight insulated lengths, the adjustable length makes it possible to fit a length perfectly, either vertically, horizontally, or at an angle.

	<b>Insulated Tee</b> Located at the base of the chimney, it provides the horizontal connection to the appliance. An insulated Tee Cap (TTC) is included.
	<b>Twist-Lock Tee Cap</b> The twist-lock cap makes inspection access and servicing easy.
	<b>15° Insulated Elbow</b> Allows the 15° offset of a chimney. Designed to bypass an obstacle, such as a joist. A maximum of two offsets (4 elbows) is allowed.
	<b>30° Insulated Elbow</b> Allows the 30° offset of a chimney. Designed to bypass an obstacle, such as a joist. A maximum of two offsets (4 elbows) is allowed.
	<b>45° Insulated Elbow</b> Allows the 45° offset of a chimney. Designed to bypass an obstacle, such as a joist. A maximum of two offsets (4 elbows) is allowed. The chimney's angle of inclination must not deviate more than 45° from the vertical position.
	<b>Flue Extension</b> Used to make the transition from insulated chimney to stovepipe in a through-the-wall installation. Refer to installation instructions for more details.
	<b>Insulated Reduced Clearance Square Support</b> Use with flat, vaulted, or cathedral ceilings. Support can also double as a Attic Radiation Shield. Includes square-to-round collar shown, batt of factory insulation, and black finish trim. Integrated flue extension accepts either single-wall or double-wall stovepipe.
	<b>Reduced Clearance Square Support Extension</b> This part is designed to extend the height of the Insulated Reduced Clearance Support by up to 22".
	<b>Square Cathedral Ceiling Support</b> For use with vaulted or cathedral ceilings. Box fits between standard 16"-on-center joist spacing. Integrated flue extension accepts either single-wall or double-wall stovepipe. Includes black finish trim.
	<b>Square Cathedral Ceiling Support Extension</b> Use to extend the height of the Cathedral Support by up to 22".

	<b>Round Finishing Support</b> Round support for use with flat ceilings. Fits in frame built within 16"-on-center joists. Integrated flue extension accepts either single-wall or double-wall stovepipe.
	<b>Adjustable Tee Support with Coupler</b> Use to support insulated tee on through-wall chimney installation. Access for inspection and service is incorporated from the underside of this support. Adjustable arms and sliding base plate are factory-set to ensure minimum clearance of 2". Allows for 2" - 7" clearance to combustibles.
	<b>Adjustable Tee Support with Collar</b> Use to support insulated tee on through-wall chimney installation. For installation versatility and convenience, tee can be placed above or below the support. Can also be used as a wall support or re-support. Adjustable arms and sliding base plate are factory-set to ensure minimum clearance of 2". Allows for 2" - 7" clearance to combustibles.
	<b>Offset/Wall Support (UNIVERSAL)</b> Adjustable collar works with 6", 7", or 8" pipe. Factory-set to ensure minimum 2" clearance. Horizontal adjustment slot allows for up to 4" of clearance. Can be used as a wall support, offset support, or tee support.
	<b>Roof Support (UNIVERSAL)</b> Typically used to support a chimney at the roof-deck. The mounting brackets swivel to suit any pitch. Adjustable collar works with 6", 7", or 8" pipe. Can also be used as supplemental support. Refer to instructions for more details.
	<b>Anchor Plate</b> Attach to the top of a fireplace or other approved appliance to enable proper connection of the chimney.
	<b>IHP Adapter</b> Adapts IHP factory-built fireplaces to accept DuraTech Premium Chimney.
	<b>Pass-Through Radiation Shield</b> Use when insulated chimney passes up through a ceiling penetration from below. Suited for flat, vaulted, or cathedral applications. Integrated Firestop on bottom. Top can serve as an Attic Radiation Shield where required. Factory insulation and square-to-round collar are included.
	<b>Firestop</b> Use as per instructions to provide protection at underside of ceiling penetration.
	<b>Radiation Shield</b> Can be used as an alternative to the standard Firestop (FS). This version includes a Radiation Shield. May be required by some appliance manufacturers.

	<b>Adjustable Insulated Attic Radiation Shield</b> Two-piece overlapping design adjusts from 12" up to 22" height to accommodate deeper levels of insulation. Part is factory-insulated and includes both the base plate and collar as shown.
	<b>Insulated Wall Thimble</b> Designed to protect surrounding combustible materials when a chimney passes through a wall. Thimble works with wall thicknesses from 7" up to 12-1/2". Can be trimmed for use with thinner walls. Includes painted Decorative Collar for interior finish.
	<b>30° Insulated Wall Radiation Shield</b> This part is to be used only with a wood-burning fireplace that has been certified for use with the chimney. It has been designed for use when the chimney passes through a wall at an angle.
	<b>45° Insulated Wall Radiation Shield</b> This part is to be used only with a wood-burning fireplace that has been certified for use with the chimney. It has been designed for use when the chimney passes through a wall at an angle.
	<b>Roof Brace (UNIVERSAL)</b> Required to stabilize chimney against wind-loading when 5 feet or more extends above the roof-line. Adjustable collar works with 6", 7", or 8" pipe. Brace arms are adjustable from 60" up to 115". Not intended to provide protection against sliding ice or snow on a metal roof.
	<b>Wall Band (UNIVERSAL)</b> Use to provide lateral stability when chimney runs up an interior or exterior wall. Adjustable arms slide in or out to set required clearances. Adjustable collar works with 6", 7", or 8" pipe. The use of wall bands at intervals of 8' is recommended.
	<b>Flat Roof Flashing</b> Galvanized Flat Roof Flashing. Storm collar included.
	<b>Adjustable Roof Flashing</b> Galvanized Adjustable Roof Flashing. Choose from 3 different versions to match roof pitch. Storm collar is included.
	<b>DSA Roof Flashing</b> This flashing features a base plate made of malleable (aka "Dead-Soft") aluminum. This material is easily shaped-by-hand to match corrugated metal roofing or rounded clay-tile shingles. Storm Collar is included.
	<b>Peak Roof Flashing</b> Galvanized peak roof flashing. Choose from two different versions to match roof pitch. Comes with storm collar.

	<b>Storm Collar</b> Collar fits over flashings to help prevent water intrusion. Generous shoulder width ensures effective protection in all climates when installed as directed. <b>Included with all roof flashings.</b>
	<b>Snow Splitter</b> Ships flat, and folds easily on the job site. Includes 8 fastening flanges (4 on each side) for mounting. Made with heavy 14 gauge galvanized steel. Fits all diameters.
	<b>Rain Cap</b> A rain cap is required to prevent precipitation from entering the chimney. Unique clamp design allows for universal fit on any chimney with either a one-inch or two-inch wall thickness. Check local codes to determine if an optional spark arrester is required.
	<b>Universal Spark Arrester Band</b> This band is wrapped around the rain cap. Its purpose is to help prevent burning embers from escaping. As an added benefit, it keeps birds and other small animals from entering the chimney. Mesh must be cut to suit cap. Made of stainless steel.
	<b>Trim Collar</b> The optional decorative Trim Collar can be used to help provide a professional finish around the chimney when passing through a non-combustible wall.
	<b>Decorative Collar Single-Wall Stovepipe</b> Used in through-wall installations. Provides decorative finish with transition between chimney and single-wall stove pipe.
	<b>Decorative Collar DVL Double-Wall Stovepipe</b> Used in through-wall installations. Provides decorative finish with transition between chimney and DVL Double-Wall stovepipe.
	<b>Decorative Collar DDW Double-Wall Stovepipe</b> Used in through-wall installations. Provides decorative finish in transition between chimney and DDW Double-Wall stove pipe.