

CHANGING TO HIGH EFFICIENCY? UTILIZE YOUR EXISTING VENT!

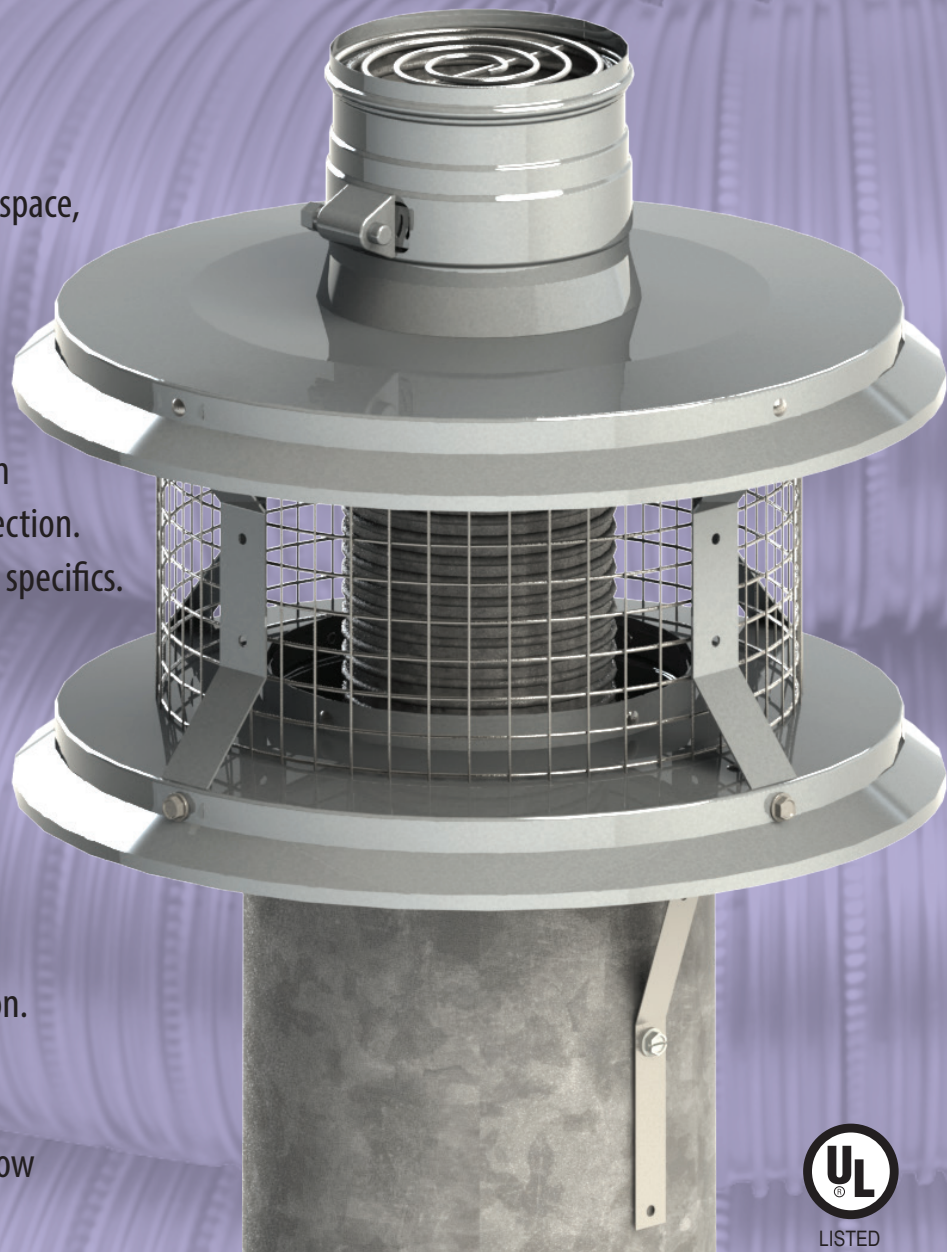
FasNSeal® 80/90 is a unique, patent pending, system that exhausts 90+ AFUE condensing appliances with Type B atmospheric units, utilizing the existing vent.

Using your preexisting common vent, our cap improves the operation of both the remaining atmospheric appliance, and the new condensing unit, while not disturbing finished space during installation.

Finally a solution when you need to deal with narrow lot lines, clearance to window and door openings, or when side wall venting just isn't practical.

Features and Benefits

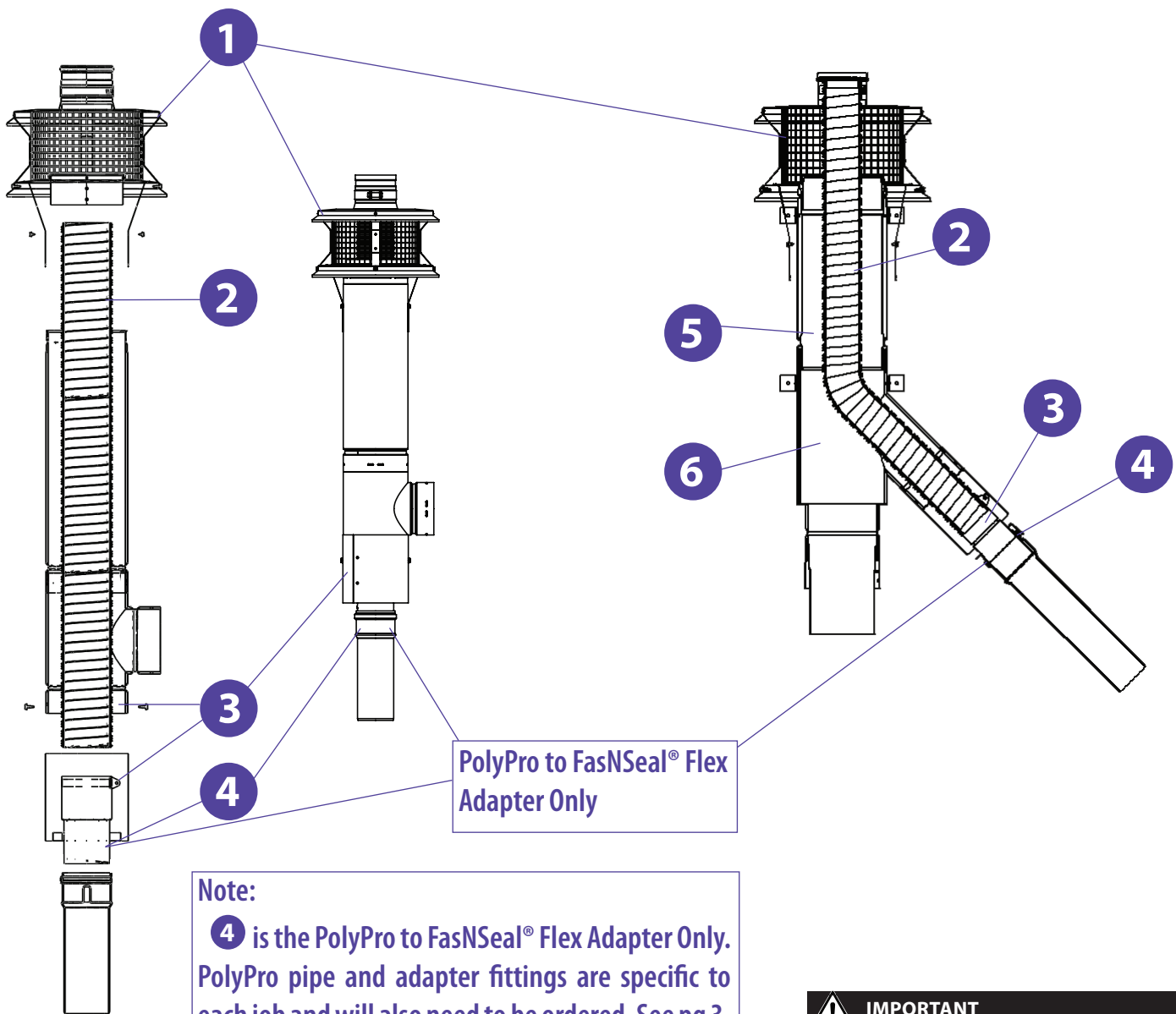
- Takes up no additional building envelope space, no additional building penetrations, and does not disturb finished internal spaces.
- Simple install, compatible with DuraVent PolyPro or FasNSeal vent system for a listed and approved appliance connection. Consult appliance manual for installation specifics.
- Eliminates condensing sidewall building moisture concerns and flue management.
- Keeps 90+ AFUE furnace flue and termination warm, reducing icing.
- Allows superior vertical termination option.
- Offers superior flow performance with smooth wall stainless inner wall and no flow de-rate for flex.



Annular Space - Effective Remaining B Vent Diameter				
	2" Cat IV Liner Dia	3" Cat IV Liner Dia	4" Cat IV Liner Dia	5" Cat IV Liner Dia
5" B Vent	4"	3"	N/A	N/A
6" B Vent	5"	4"	4"	N/A
7" B Vent	6"	5"	5"	4"
8" B Vent	6"	6"	6"	5"

STRAIGHT UP INSTALLATION

WYE INSTALLATION



Note:
 ④ is the PolyPro to FasNSeal® Flex Adapter Only. PolyPro pipe and adapter fittings are specific to each job and will also need to be ordered. See pg 3.

⚠ IMPORTANT
 The vent system must be installed in accordance with local code requirements and appropriate National Codes: In the US: NFPA 54 / ANSI Z223.1 National Fuel Gas Code or the International Fuel Gas Code.

1

Description	Order #	Stock #
Vertical Terminations		
5x2 Diameter Combo Cap	FSCC52	810010327
5x3 Diameter Combo Cap	FSCC53	810010328
6x2 Diameter Combo Cap	FSCC62	810010329
6x3 Diameter Combo Cap	FSCC63	810010330
6x4 Diameter Combo Cap	FSCC64	810010331
7x2 Diameter Combo Cap	FSCC72	810010332
7x3 Diameter Combo Cap	FSCC73	810010333
7x4 Diameter Combo Cap	FSCC74	810010334
8x2 Diameter Combo Cap	FSCC82	810010335
8x3 Diameter Combo Cap	FSCC83	810010336
8x4 Diameter Combo Cap	FSCC84	810010337
7x5 Diameter Combo Cap	FSCC75	810012622
8x5 Diameter Combo Cap	FSCC85	810012623

2

FasNSeal Flex		
2" Dia FSFLEX-20'	2FSFLEX-20	810012522
2" Dia FSFLEX-25'	2FSFLEX-25	810012523
2" Dia FSFLEX-30'	2FSFLEX-30	810012524
2" Dia FSFLEX-35'	2FSFLEX-35	810012525
2" Dia FSFLEX-50'	2FSFLEX-50	810012558
2" Dia FSFLEX-200'	2FSFLEX-200	810012559
2" Dia FNS Flex Per Foot	2FSFLEX-XX	810012526
3" x 20' FasNSeal Flex	3FSFLEX-20	810003100
3" x 25' FasNSeal Flex	3FSFLEX-25	810003101
3" x 30' FasNSeal Flex	3FSFLEX-30	810003102
3" x 35" FasNSeal Flex	3FSFLEX-35	810003103
3" x 200" FasNSeal Flex	3FSFLEX-200	810003104
4" x 20' FasNSeal Flex	4FSFLEX-20	810003151
4" x 25' FasNSeal Flex	4FSFLEX-25	810003152
4" x 30' FasNSeal Flex	4FSFLEX-30	810003153
4" x 35" FasNSeal Flex	4FSFLEX-35	810003154
4" x 200" FasNSeal Flex	4FSFLEX-200	810003155
5" x 20' FasNSeal Flex	5FSFLEX-20	810003208
5" x 25' FasNSeal Flex	5FSFLEX-25	810003209
5" x 30' FasNSeal Flex	5FSFLEX-30	810003210
5" x 35" FasNSeal Flex	5FSFLEX-35	810003211
5" x 125" FasNSeal Flex	5FSFLEX-125	810003212

3

Description	Order #	Stock #
B-Vent Firestop		
3x2 B-Vent Firestop	FSFS-GVPP32	810012604
4x2 B-Vent Firestop	FSFS-GVPP42	810012605
4x3 B-Vent Firestop	FSFS-GVPP43	810012606
5x2 B-Vent Firestop	FSFS-GVPP52	810012607
5x3 B-Vent Firestop	FSFS-GVPP53	810012608
5x4 B-Vent Firestop	FSFS-GVPP54	810012609
6x2 B-Vent Firestop	FSFS-GVPP62	810012610
6x3 B-Vent Firestop	FSFS-GVPP63	810012611
6x4 B-Vent Firestop	FSFS-GVPP64	810012612
6x5 B-Vent Firestop	FSFS-GVPP65	810012613

4

PP to FNS Flex Adapter		
2" PP-FNS Flex Adapter	FSASMM-PP-2	810009850
3" PP-FNS Flex Adapter	FSASMM-PP-3	810010261
4" PP-FNS Flex Adapter	FSASMM-PP-4	810010262
5" PP-FNS Flex Adapter	FSASMM-PP-5	810010263

5

Universal Female Adapter		
3" Female Adapter	3GVAF	810002517
4" Female Adapter	4GVAF	810002565
5" Female Adapter	5GVAF	810002612
6" Female Adapter	6GVAF	810002661
7" Female Adapter	7GVAF	810002699
8" Female Adapter	8GVAF	810002734

6

Double Wall Wye 45° Branch		
5" x 3" x 4" Double Wall Wye	5GVY34	810002605
5" x 4" x 4" Double Wall Wye	5GVY44	810002606
5" x 4" x 5" Double Wall Wye	5GVY45	810002607
6" x 3" x 4" Double Wall Wye	6GVY34	810002652
6" x 4" x 3" Double Wall Wye	6GVY43	810002653
6" x 4" x 4" Double Wall Wye	6GVY44	810002654
6" x 4" x 5" Double Wall Wye	6GVY45	810002655
6" x 3" x 5" Double Wall Wye	6GVY35	810002656
6" x 4" x 6" Double Wall Wye	6GVY46	810002657
7" x 3" x 5" Double Wall Wye	7GVY35	810002696

LIMITED LIFETIME WARRANTY

LISTINGS

DuraVent's FNS 80/90 Combination Cat I and Cat IV gas vent system is designed and UL listed for use with approved DuraVent / Security Chimneys special gas vent components only! Listed to applicable portions of ULC S636/UL1738, UL1777, and UL441.



How to Connect a Category IV Appliance to the FasNSeal® 80/90 System Using Polypro®

PolyPro 90° Elbow



SIZE	ORDER #	STOCK #	A	B
2" 60mm	2PPS-E90C	810014483	4" 100mm	4" 100mm
3" 80mm	3PPS-E90C	810014529	4 5/16" 110mm	4 5/16" 110mm

PolyPro 45° Elbow



SIZE	ORDER #	STOCK #	A	B
2" 60mm	2PPS-E45C	810014481	2 7/8" 72.5mm	2 11/16" 69mm
3" 80mm	3PPS-E45C	810014537	2 7/8" 73mm	2 7/8" 73mm

PolyPro Single Wall Pipe Lengths

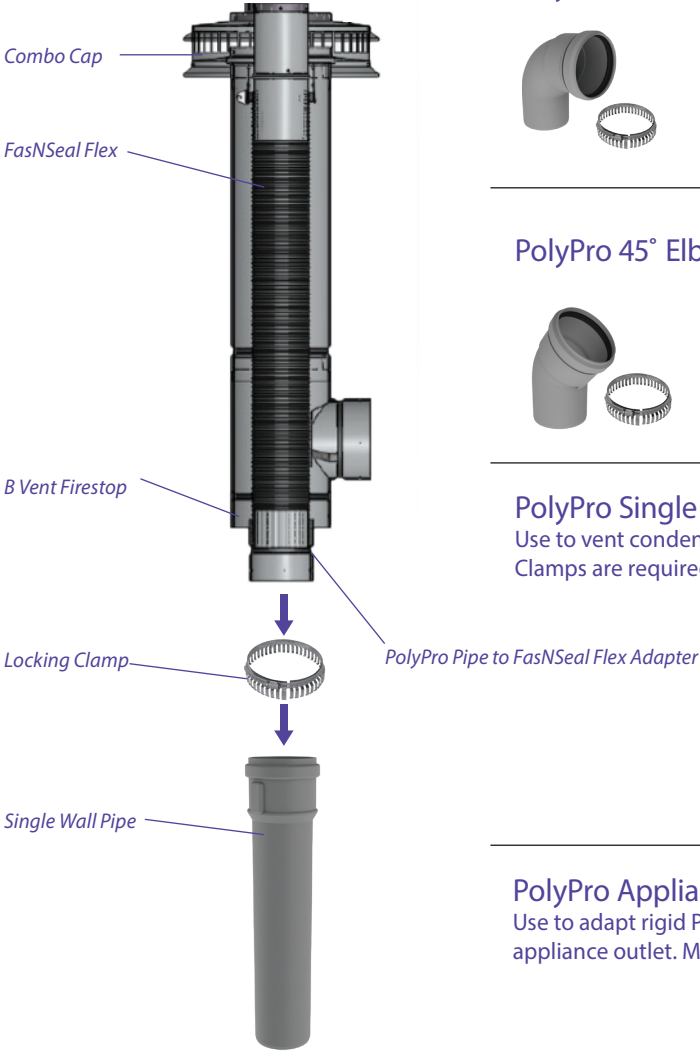
Use to vent condensing appliances. 2" (60mm) of overlap at the joint. Listed to ULC S636. Locking Clamps are required at all joint connections. Includes 1 Locking Clamp per each length.

SIZE	12" 305mm		36" 914mm		72" 1829mm	
	ORDER #	STOCK #	ORDER #	STOCK #	ORDER #	STOCK #
2" 60mm	2PPS-12C	810014475	2PPS-36C	810014477	2PPS-72C	810014479
3" 80mm	3PPS-12C	810014528	3PPS-36C	810014532	3PPS-72C	810014534

PolyPro Appliance Adapter for PVC Coupler

Use to adapt rigid PolyPro® pipe length to the inside of the PVC/CPVC coupler of other plastic/metal appliance outlet. Must be used with Adapter Connector for flue gas. Includes 1 Adapter Connector clamp.

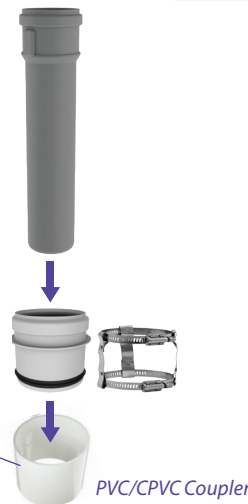
SIZE	ORDER #	STOCK #
2" 60mm	2PPS-ADL	810009672
3" 80mm	3PPS-ADL	810009699



Appliance Adapter for PVC Coupler

Furnace/Boiler Vent Connection

Note:
2PPS-ADL and 3PPS-ADL will slip inside a **Furnace/Boiler Vent Connection** or **PVC/CPVC Coupler**



PVC/CPVC Coupler

