

Product Spotlight

DURASEAL®

DuraVent KWDAMP Series Fixed-blade Dampers

are designed for use with DuraSeal® UL 1738 and ULC S636 Single-Wall & Double-Wall Gas Vent systems to maintain and balance draft in a boiler venting system. They are commonly used in single appliance applications requiring balancing and multiple appliance applications that are connected to a common chimney.

Features & Benefits

KWDAMP Series Fixed-blade Dampers ensure optimal pressures through an appliance and aids in the proper operation and efficiency of the appliance by preventing higher than desired draft readings. For proper appliance operation and efficient fuel consumption, draft must remain constant. When constant, combustion is more complete and fuels are utilized efficiently, resulting in lower operating costs.

Specifications	
Available Sizes (ID)	6" to 18"
Connections	Male / Female
Material	316L Stainless Steel
Temperature Rating	392°F (200°C)
Listing	ETL Listed as part of the venting system

Available in Single (DSØKWDAMPU) or Double-wall (DSDØKWDAMPUK) configurations, no adaptors required.

Easy to operate, no power required:

- A manual hand quadrant is used to set the required damper position and a locknut fixes the blade in place.

Rugged construction, no maintenance required:

- All 316 Stainless Steel hardware and stainless steel self-lubricating bearings.

Versatile, easy to install:

- Damper can be installed vertically, diagonally and horizontally; comes factory shipped with Male/Female ends, no adapters required.

Installation

KWDAMP Series Fixed-blade Dampers should be installed as close to the boiler outlet as required, with sufficient clearance to allow for proper access and operation of the manual hand quadrant. Once the vent system has been properly balanced, the damper is permanently fixed into position and will restrict the flow of flue gases as needed. A built in fail-safe feature ensures the damper will remain open in the event of damage to the manual hand quadrant or lock nut.

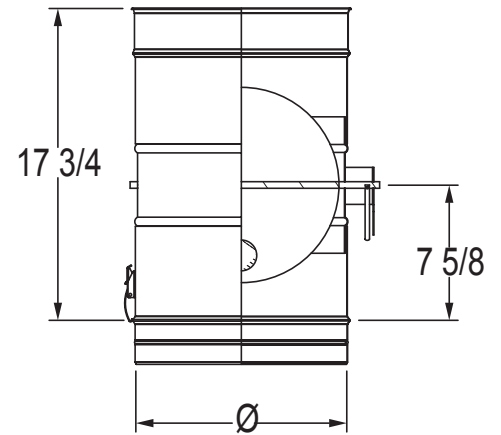
Important

The max rated temperature for the fixed blade damper is 392°F (200°C). When used, the entire vent system must be de-rated in maximum temperature to this value. Always follow appliance manufacturer's installation instructions for proper appliance setup and venting requirements.



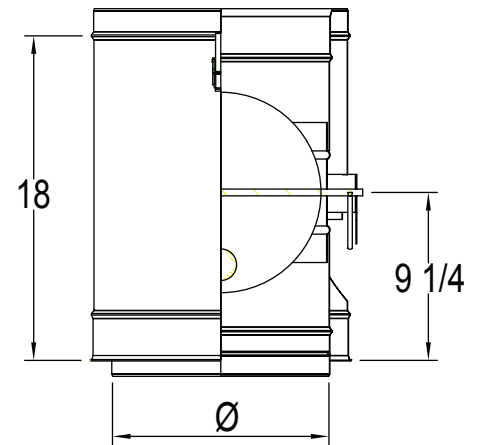
Single-Wall Fixed Blade Damper

Ø	Product Code
6"	DS6KWDAMPU
8"	DS8KWDAMPU
10"	DS10KWDAMPU
12"	DS12KWDAMPU
14"	DS14KWDAMPU
16"	DS16KWDAMPU
18"	DS18KWDAMPU

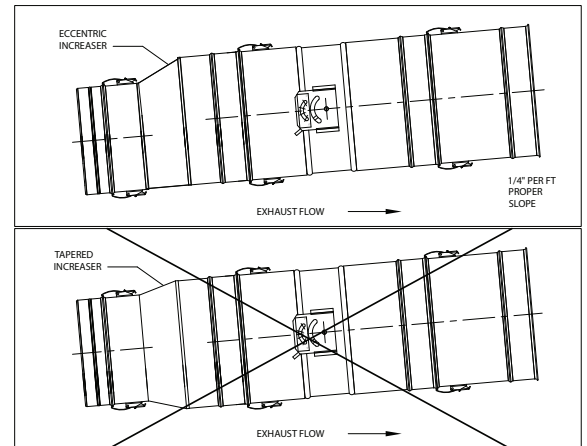
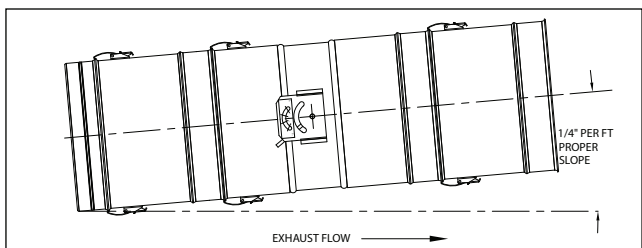
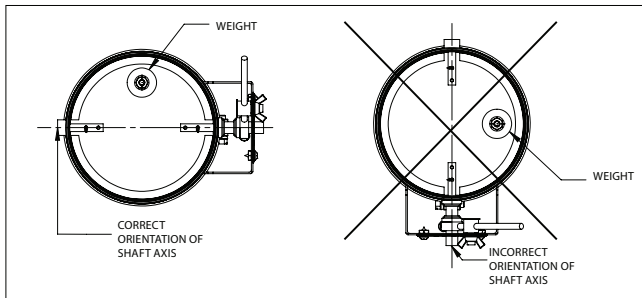


Double-Wall Fixed Blade Damper

Ø	Product Code
6"	DSD6KWDAMPUK
8"	DSD8KWDAMPUK
10"	DSD10KWDAMPUK
12"	DSD12KWDAMPUK
14"	DSD14KWDAMPUK
16"	DSD16KWDAMPUK
18"	DSD18KWDAMPUK



Typical Horizontal Installation



Note: Damper can be installed Vertically, Horizontally, and Diagonally. Consult installation manual for details.