



PelletVent[®]
Multi-fuel venting system.
UL 641.

Specifications

Applications

PelletVent is designed for venting of pellet stoves and inserts. Consult appliance manual for additional requirements.

Materials and Construction

PelletVent is a double-wall pipe, with a stainless steel inner wall and galvalume outer wall.

Black painted product available.

Clearances

1" clearance to combustibles for appliances using wood pellets.

Diameters

3" & 4"

Listings

c-UL-us Listed to UL 641 (MH8381 and MH14420).



UL 641System

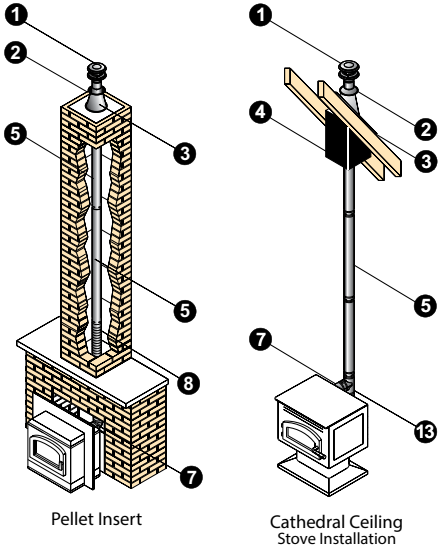
PelletVent for multi-fuels

PelletVent is an innovative venting system for pellet stoves and inserts. Select components are available in black to enhance interior aesthetics.

PelletVent is UL listed for 1" clearance to combustibles in the USA. Its double-wall, air-insulated design offers superior performance. PelletVent seams are factory-sealed on all elbows, tees, and fittings.

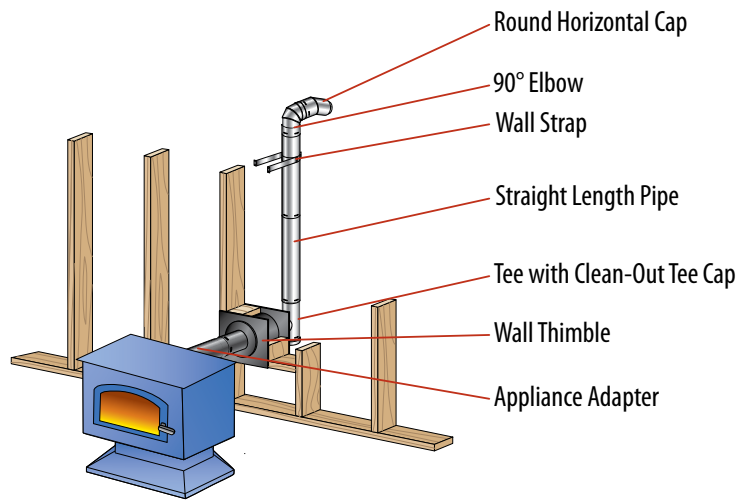
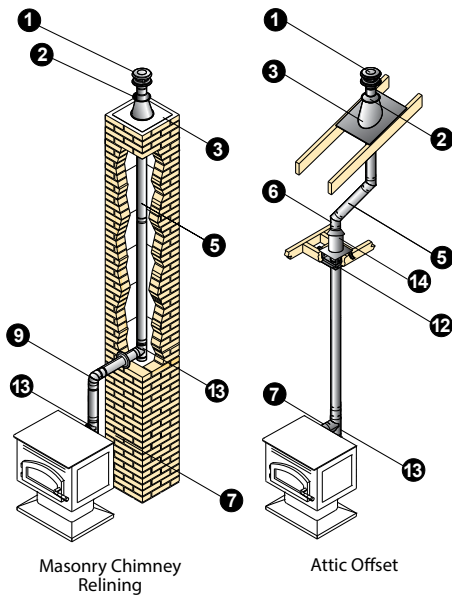


Typical Installations



| Installation Key | | | |
|------------------|-------------------------------|----|---------------------------------|
| 1 | Vertical Cap | 8 | 60" Flexible Length |
| 2 | Storm Collar | 9 | 90° Elbow |
| 3 | Flashing | 10 | Horizontal Cap |
| 4 | Cathedral Ceiling Support Box | 11 | Wall Thimble |
| 5 | Pipe | 12 | Ceiling Support Firestop Spacer |
| 6 | 45° Elbow | 13 | Tee w/Clean-Out Tee Cap |
| 7 | Appliance Adapter | 14 | Attic Insulation Shield |

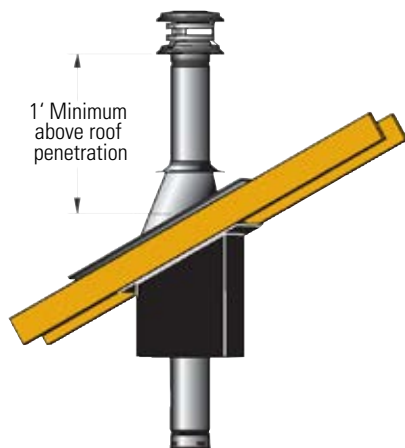
- Refer to our Typical Venting Installation drawings to select the appropriate component parts for your installation.
- The inner pipe diameter should match the outlet size of the appliance. For installations that require 4" vent and the appliance has a 3" outlet, use an Increaser Adapter 3"-4".
- Check the appliance manufacturer's installation instructions to confirm which types of vent configurations are permitted (i.e. horizontal, vertical, chimney reline, etc.). Also, check for any venting restrictions such as maximum horizontal run, minimum and maximum vertical rise, maximum offset, etc.
- Be fire safe! Maintain the minimum clearances (air-space) between the vent pipe and nearby combustibles, as specified in the appliance manufacturer's installation instructions. Use proper support and bracing. Follow local building codes and have your venting system inspected.



Planning Your Installation

| | |
|---|--|
| 1 | Refer to the Typical PelletVent Installations diagram, on the opposite page, to be familiar with some of the standard PelletVent installations and the required component parts. |
| 2 | For a horizontal termination, you will need a Wall Thimble and a Horizontal Cap. The cap must be installed with a 6" clearance to the outside wall (refer to appliance manufacturer's installation instructions for other clearances). |
| 3 | For a vertical termination, you will need a Cathedral Ceiling Support Box or Flat Ceiling Support, Attic Insulation Shield (if passing through an attic), Flashing, Storm Collar, and Vertical Cap. |
| 4 | Determine the length of PelletVent pipe required. For a vertical termination, measure the pitch of the roof and select the proper flashing. The required minimum height above the roof is 12". |
| 5 | Pellet stove inserts in masonry fireplaces will require a flex pipe to snake the vent past the smoke shelf. For transition from PelletVent to an existing DuraPlus Chimney, a Chimney Adapter is available. |
| 6 | For vertical rise of PelletVent on the outside of the house, Wall Straps should be used at 4' intervals to provide proper support. |
| 7 | Important! Check to be sure that the appliance and the venting system are in compliance with all minimum clearance to combustibles requirements. |

Design Recommendations



The following design recommendations are intended only as a general guideline to assist in the design and selection of venting components for your installation. Always read and follow Installation instructions before installing your chimney system (found with the cap or support box). Installation instructions can be viewed online at www.duravent.com, under Catalogs and Instructions.

- Size the vent to meet the appliance manufacturer's specifications.
- Avoid long runs and excessive use of elbows. Refer to the appliance manufacturer for minimum rise and maximum run configurations for the venting system.
- Use an Appliance Adapter to ensure a proper connection to the appliance. Seal adapter to appliance with high temperature sealant.
- Use a Single Tee with Clean-Out Tee Cap to facilitate easy cleaning. It is recommended to use a tee off the back of an appliance.
- Maintain the minimum 1" clearance (air space) from vent pipe to combustibles. Use proper support and bracing. Follow local building codes and have your venting system inspected. Be fire safe!

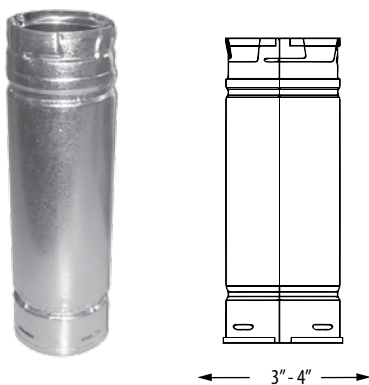
Horizontal Kit



Kit includes: Round Horizontal Cap, 90° Elbow, Wall Strap, Five 12" Pipe Lengths, Tee with Clean-out Tee Cap, Wall Thimble, Appliance Adapter.
4" Kit includes a 3"-4" Appliance Adapter/Incraser.

| SIZE | ORDER # | STOCK # |
|------|----------|-----------|
| 3" | 3PVL-KHA | 810001437 |
| 4" | 4PVL-KHA | 810001438 |

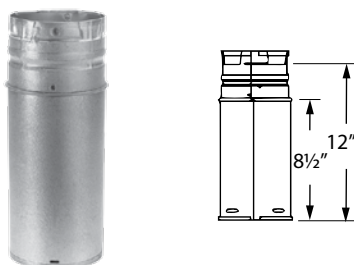
Straight Pipe Length



Features fully unitized, twist-lock construction in 3" and 4" diameters. Listed at 1" clearance to combustibles. It can be used in both vertical and horizontal installations. Stainless steel wall combined with a galvanized outer wall. Pipe OD is diameter plus 5/8". Galvalume or painted black outer finish. 12" length available with stainless steel outer (SS).

| SIZE | 3" | | 4" | |
|-----------|-----------|-----------|-----------|-----------|
| | ORDER # | STOCK # | ORDER # | STOCK # |
| 6" | 3PVL-06 | 810001439 | 4PVL-06 | 810001478 |
| 6" BLACK | 3PVL-06B | 810001440 | 4PVL-06B | 810001479 |
| 12" | 3PVL-12 | 810001441 | 4PVL-12 | 810001480 |
| 12" BLACK | 3PVL-12B | 810001442 | 4PVL-12B | 810001481 |
| 12" SS | 3PLV-12SS | 810013695 | 4PVL-12SS | 810013696 |
| 24" | 3PVL-24 | 810001443 | 4PVL-24 | 810001482 |
| 24" BLACK | 3PVL-24B | 810001444 | 4PVL-24B | 810001483 |
| 36" | 3PVL-36 | 810001445 | 4PVL-36 | 810001484 |
| 36" BLACK | 3PVL-36B | 810001446 | 4PVL-36B | 810001485 |
| 60" | 3PVL-60 | 810001447 | 4PVL-60 | 810001486 |
| 60" BLACK | 3PVL-60B | 810001448 | 4PVL-60B | 810001487 |

Adjustable Pipe Length



Use to add length to PelletVent pipe. 12" pipe adds 3"-10" of length when used with rigid sections of pipe. Galvalume or painted black outer finish.

| SIZE | 3" | | 4" | |
|-----------|-----------|-----------|-----------|-----------|
| | ORDER # | STOCK # | ORDER # | STOCK # |
| 12" | 3PVL-A12 | 810001449 | 4PVL-A12 | 810001488 |
| 12" BLACK | 3PVL-A12B | 810001450 | 4PVL-A12B | 810001489 |

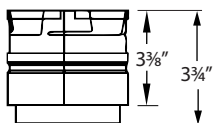
Flex Pipe



Use when relining masonry chimney. Allows for offsets with pellet-burning appliances. Female and male ends twist-lock. Female end swivels for easy alignment. 60° flex section. Not for use in attic or wall spaces.

| SIZE | 3" | | 4" | |
|------|----------|-----------|----------|-----------|
| | ORDER # | STOCK # | ORDER # | STOCK # |
| 60° | 3PVL-60F | 810001451 | 4PVL-60F | 810001490 |

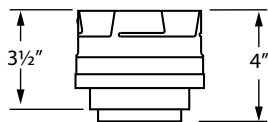
Appliance Adapter



Use to attach to appliance outlet allowing for easy pipe connection. Seal adapter to appliance with high temperature sealant.

| SIZE | ORDER # | STOCK # |
|------|---------|-----------|
| 3" | 3PVL-AD | 810001452 |
| 4" | 4PVL-AD | 810001491 |

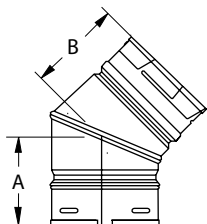
Appliance Adapter/Increaser



Use to attach to appliance outlet allowing for easy pipe connection. Allows connection of 4" vent to 3" appliance outlet. Seal adapter to appliance with high temperature sealant.

| SIZE | ORDER # | STOCK # |
|---------|-----------|-----------|
| 3" - 4" | 3PVL-X4AD | 810001454 |

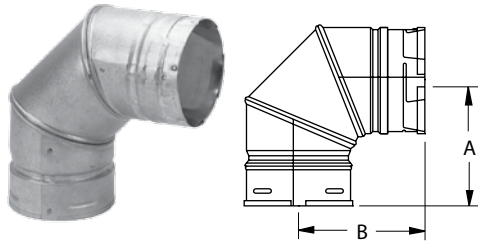
45° Elbow



Offsets obstructions as needed. Elbows swivel 360° at base. Angle not adjustable.

| SIZE | ORDER # | STOCK # | A | B |
|----------|-----------|-----------|--------|----|
| 3" | 3PVL-E45 | 810001455 | 3 7/8" | 4" |
| 3" BLACK | 3PVL-E45B | 810001456 | 3 7/8" | 4" |
| 4" | 4PVL-E45 | 810001493 | 3 7/8" | 4" |
| 4" BLACK | 4PVL-E45B | 810001494 | 3 7/8" | 4" |

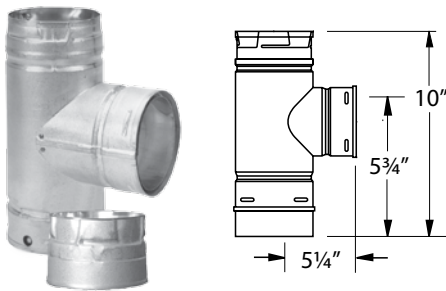
90° Elbow



Offsets obstructions as needed. Elbows swivel 360° at base. Angle not adjustable.

| SIZE | ORDER # | STOCK # | A | B |
|----------|-----------|-----------|--------|--------|
| 3" | 3PVL-E90 | 810001457 | 5 1/2" | 5 1/2" |
| 3" BLACK | 3PVL-E90B | 810001458 | 5 1/2" | 5 1/2" |
| 4" | 4PVL-E90 | 810001495 | 5 1/2" | 5 1/2" |
| 4" BLACK | 4PVL-E90B | 810001496 | 5 1/2" | 5 1/2" |

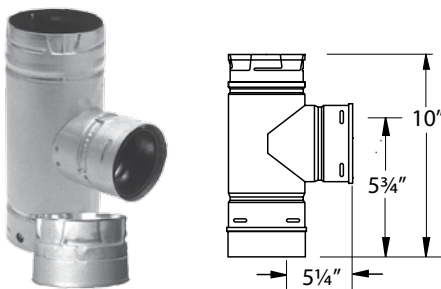
Single Tee With Clean-Out Tee Cap



Use for a 90° offset. Branch swivels for alignment. Removable twist-lock Clean-Out Tee Cap.

| SIZE | ORDER # | STOCK # |
|----------|---------|-----------|
| 3" | 3PVL-T | 810001459 |
| 3" BLACK | 3PVL-TB | 810001460 |
| 4" | 4PVL-T | 810001497 |
| 4" BLACK | 4PVL-TB | 810001498 |

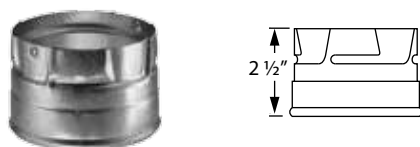
Increaser Tee With Clean-Out Tee Cap



Attaches 3" pipe to branch and 4" pipe to body. Use for a 90° offset. Branch swivels for alignment. Removable twist-lock Clean-Out Tee Cap.

| SIZE | ORDER # | STOCK # |
|----------|----------|-----------|
| 4" | 4PVL-T3 | 810001499 |
| 4" BLACK | 4PVL-T3B | 810001500 |

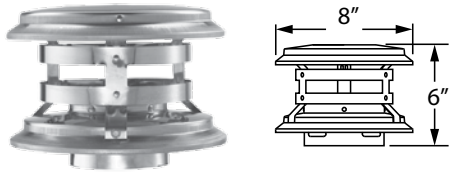
Clean-Out Tee Cap



Use as a replacement Clean-Out Tee Cap.

| SIZE | ORDER # | STOCK # |
|----------|----------|-----------|
| 3" | 3PVL-CO | 810001461 |
| 3" BLACK | 3PVL-COB | 810001462 |
| 4" | 4PVL-CO | 810001501 |
| 4" BLACK | 4PVL-COB | 810001502 |

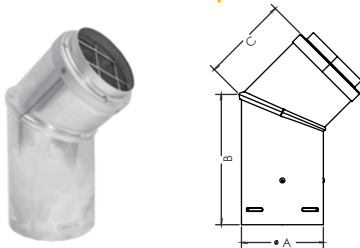
Vertical Cap



Use for vertical installations only. Required where pipe terminates above the roofline.

| SIZE | ORDER # | STOCK # |
|------|---------|-----------|
| 3" | 3PVL-VC | 810001463 |
| 4" | 4PVL-VC | 810001503 |

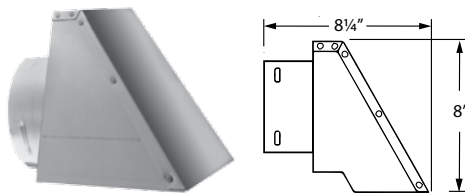
Round Horizontal Cap



Use for horizontal terminations only. Cap features swivel collar to adjust exhaust direction. Cap features an optional swivel base.

| SIZE | ORDER # | STOCK # | A | B | C |
|------|----------|-----------|--------|--------|--------|
| 3" | 3PVL-HCR | 810013377 | 3 5/8" | 5 7/8" | 4" |
| 4" | 4PVL-HCR | 810013378 | 4 5/8" | 5 7/8" | 4 1/4" |

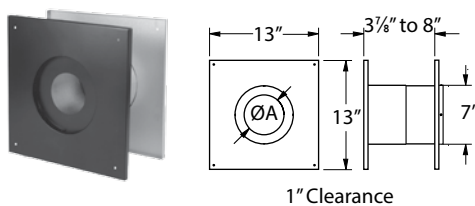
Square Horizontal Cap



Use for horizontal terminations only. Cap features swivel collar to adjust exhaust direction. Cap features a swivel base.

| SIZE | ORDER # | STOCK # |
|------|----------|-----------|
| 3" | 3PVL-HSC | 810001464 |
| 4" | 4PVL-HSC | 810001504 |

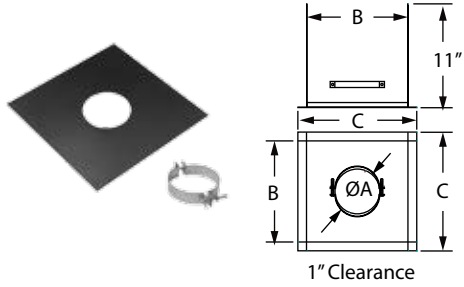
Wall Thimble



Use to provide required 1" clearance to combustibles. Fits between standard wall studs. Comes with an insulation ring to cut drafts where the pipe slips through the thimble.

| SIZE | ORDER # | STOCK # | A |
|------|---------|-----------|--------|
| 3" | 3PVL-WT | 810001465 | 3 3/4" |
| 4" | 4PVL-WT | 810001505 | 4 3/4" |

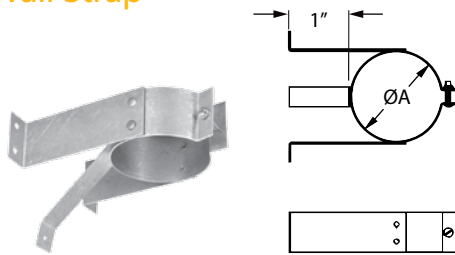
Ceiling Support Firestop Spacer



Required where vent passes through ceiling. Centers pipe to provide proper 1" clearance. Support Clamp included. Painted black.

| SIZE | ORDER # | STOCK # | A | B | C |
|------|---------|-----------|--------|---------|---------|
| 3" | 3PVL-FS | 810001466 | 3 3/4" | 9 5/8" | 11 5/8" |
| 4" | 4PVL-FS | 810001506 | 4 3/4" | 10 5/8" | 12 5/8" |

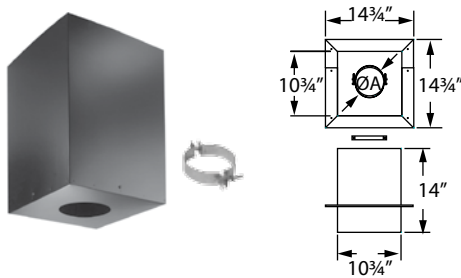
Wall Strap



Use to support vent pipe or tee sections. Provides 1" clearance.

| SIZE | ORDER # | STOCK # | A |
|------|---------|-----------|--------|
| 3" | 3PVL-WS | 810001467 | 3 3/8" |
| 4" | 4PVL-WS | 810001507 | 4 5/8" |

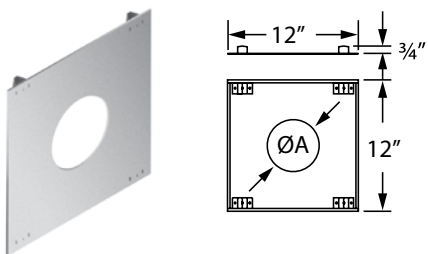
Cathedral Ceiling Support Box



Use to support pipe. May be used on flat ceilings. Painted black. Trim and clamp included.

| SIZE | ORDER # | STOCK # | A |
|------|---------|-----------|--------|
| 3" | 3PVL-CS | 810001468 | 3 3/4" |
| 4" | 4PVL-CS | 810001508 | 4 3/4" |

House Shield



Use to protect exterior of structure from blower discharge in horizontal venting applications.

| SIZE | ORDER # | STOCK # | A |
|------|---------|-----------|--------|
| 3" | 3PVL-HS | 810001469 | 3 3/4" |
| 4" | 4PVL-HS | 810001509 | 4 3/4" |

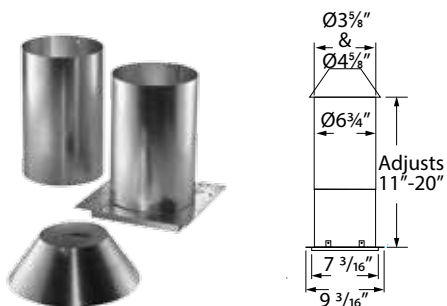
Storm Collar



Use to maintain a weather tight resistant seal between the pipe and the flashing. Seal the under side with 500° F silicone sealant to the vent.

| SIZE | ORDER # | STOCK # | A | B |
|------|---------|-----------|--------|--------|
| 3" | 3PVL-SC | 810001470 | 3 5/8" | 7 3/8" |
| 4" | 4PVL-SC | 810001510 | 4 5/8" | 8 1/8" |

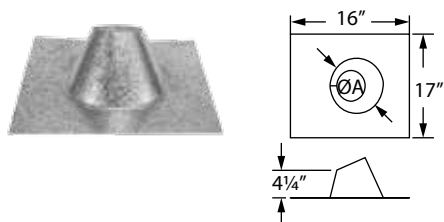
Attic Insulation Shield



Required for installations that pass through an attic to prevent insulation and debris from accumulating near the vent. Provides 1" clearance to combustibles.

| SIZE | ORDER # | STOCK # |
|---------|---------|-----------|
| 3" - 4" | 3PVL-IS | 810001471 |

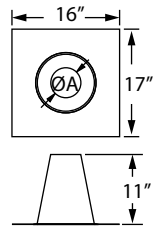
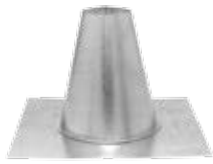
Adjustable Roof Flashing



Use to weather proof the penetration of vent pipe through the roof. Storm Collar required. Select roof flashing based on pitch of roof. For pitches of 0/12 - 6/12. For steep roof pitches, refer to the Gas Vent catalog. Made of galvalume.

| SIZE | ORDER # | STOCK # | A |
|------|---------|-----------|--------|
| 3" | 3PVL-F | 810001472 | 3 3/4" |
| 4" | 4PVL-F | 810001511 | 4 3/4" |

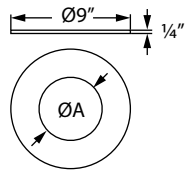
Tall Cone Roof Flashing



Use to weather proof the penetration of vent pipe through the roof. Storm Collar required. Select roof flashing based on pitch of roof. Use on flat roofs, chase enclosures, or masonry chimney. Made of galvalume.

| SIZE | ORDER # | STOCK # | A |
|------|---------|-----------|------|
| 3" | 3PVL-FF | 810001473 | 3 ¾" |
| 4" | 4PVL-FF | 810001512 | 4 ¾" |

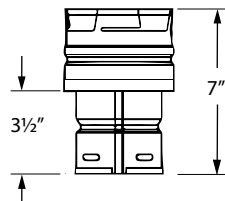
Increaser



Use to transition from 3" pipe to a 4" pipe. Not a deceiver or stove adapter.

| SIZE | ORDER # | STOCK # |
|---------|---------|-----------|
| 3" - 4" | 3PVL-X4 | 810001475 |

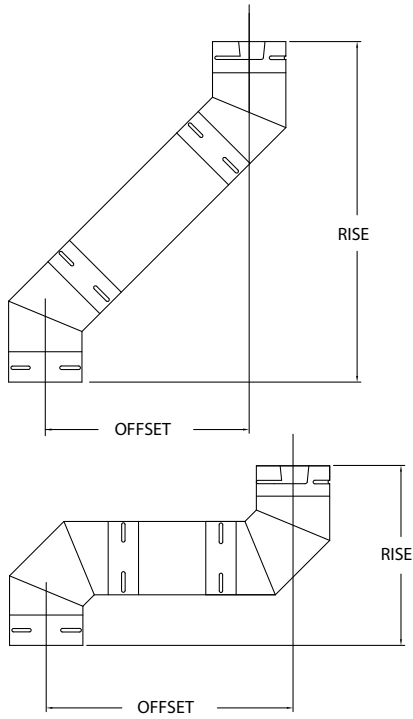
Chimney Adapter



Use to transition between PelletVent to existing chimney such as DuraPlus. Requires a DVL/DuraBlack Chimney Adapter to fasten into support box or wall thimble. For 6", use adapter 3PVL-X6 and 4PVL-X6, for 8", use adapter 3PVL-X8 and 4PVL-X8.

| SIZE | ORDER # | STOCK # |
|---------|---------|-----------|
| 3" - 6" | 3PVL-X6 | 810001476 |
| 3" - 8" | 3PVL-X8 | 810001477 |
| 4" - 6" | 4PVL-X6 | 810001514 |
| 4" - 8" | 4PVL-X8 | 810001515 |

Offset Chart



| Elbow Angle from Vertical | Chimney Length Between Elbows | Ø3" Offset | Ø3" Rise | Ø4" Offset | Ø4" Rise |
|---------------------------|-------------------------------|------------|----------|------------|----------|
| 45° | 0" | 4 ¼" | 11" | 5" | 12 ¾" |
| 45° | 6" | 8" | 14 ¾" | 8 ⅝" | 16 ⅜" |
| 45° | 12" | 12 ¼" | 19" | 13 ½" | 21 ⅞" |
| 45° | 24" | 20 ¾" | 27 ⅜" | 21 ⅞" | 29 ⅝" |
| 45° | 36" | 29 ¼" | 36" | 30 ⅜" | 38 ⅞" |
| 45° | 24" + 24" | 36 ⅝" | 43 ⅜" | 37 ¾" | 45 ½" |
| 45° | 60" | 46 ⅞" | 52 ⅞" | 46 ¾" | 54 ½" |
| 45° | 36" + 36" | 53 ½" | 60 ⅜" | 54 ¼" | 62" |
| 90° | 0" | 9 ⅞" | 10 ⅜" | 10 ⅝" | 11 ⅜" |
| 90° | 6" | 14 ⅞" | 10 ⅜" | 15 ⅞" | 11 ⅜" |
| 90° | 12" | 20 ⅞" | 10 ⅜" | 21 ⅞" | 11 ⅜" |
| 90° | 24" | 32 ⅞" | 10 ⅜" | 33 ⅞" | 11 ⅜" |
| 90° | 36" | 44 ⅞" | 10 ⅜" | 45 ⅞" | 11 ⅜" |
| 90° | 24" + 24" | 54 ⅝" | 10 ⅜" | 55 ⅞" | 11 ⅜" |
| 90° | 60" | 68 ⅞" | 10 ⅜" | 69 ⅞" | 11 ⅜" |
| 90° | 36" + 36" | 78 ⅝" | 10 ⅜" | 79 ⅞" | 11 ⅜" |