

**duravent™**

# Type B Gas Vent

Type B Gas Venting System  
UL 441



**AV**

# Round Type B Gas Vent

## Specifications

### Applications

Duravent's Type B Gas Vent system. Use with natural gas or liquid propane category I and draft hood equipped appliances, and appliances tested and listed to use Type B Gas Vent. Applications include: natural gas fireplaces, gas-fired furnaces, boilers, water heaters, and wall or space heating applications.

### Materials and Construction

Round Type B Gas Vent 3" - 8" and oval 4" - 6": Aluminum .012" inner wall, galvanized .018" outer wall.

3"-8" diameters feature twist-lock fittings.

### Clearances

1" clearance to combustibles in single and multi-family dwellings.

### Diameters

3" - 8" Round Diameter.  
4", 5", and 6" Oval.

### Listings

UL Listed to UL 441 and UL 1777 (MH6357).

## UL 441 System

### Type B Gas Vent

Duravent Type B Gas Vent is designed to meet the rugged demands of the job site. The inner wall is recessed to eliminate damage in handling.

Type B Gas Vent has been engineered to heat up rapidly. It remains hot during the operation of the appliance with minimal condensation in the appliance and vent system. Pipe lengths are available in multiple lengths, 6 to 60 inches, with a full complement of adjustable and rigid fittings.

Type B gas vents are not suitable for use with wood-burning or coal applications, industrial ovens, exhaust ranges and hoods, grease or pollution ducting, or as free-standing exhaust vents for high-temperature applications.



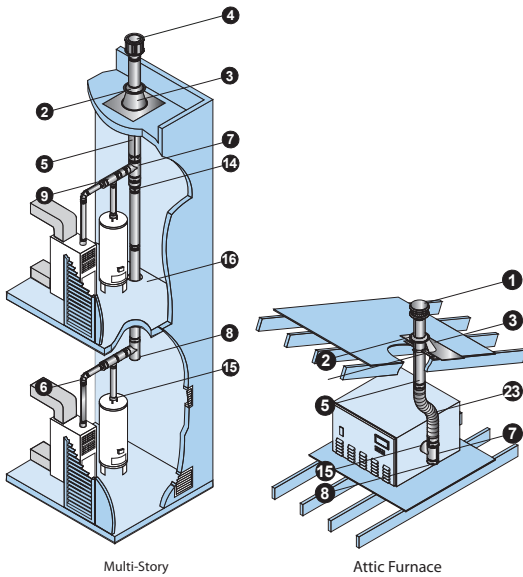
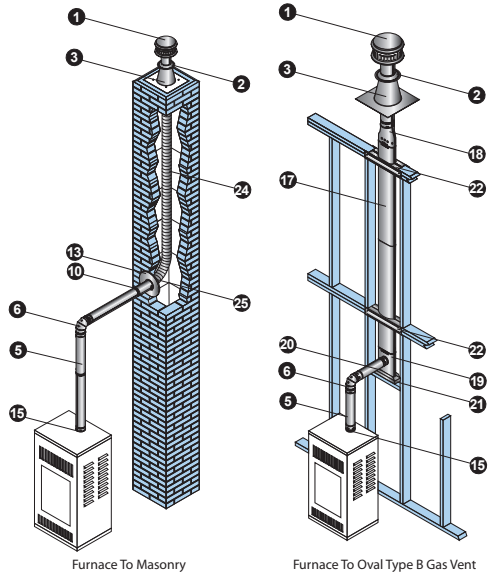
# What makes us different from the rest?

## Duravent's Type B Gas Vent: A completely engineered system.



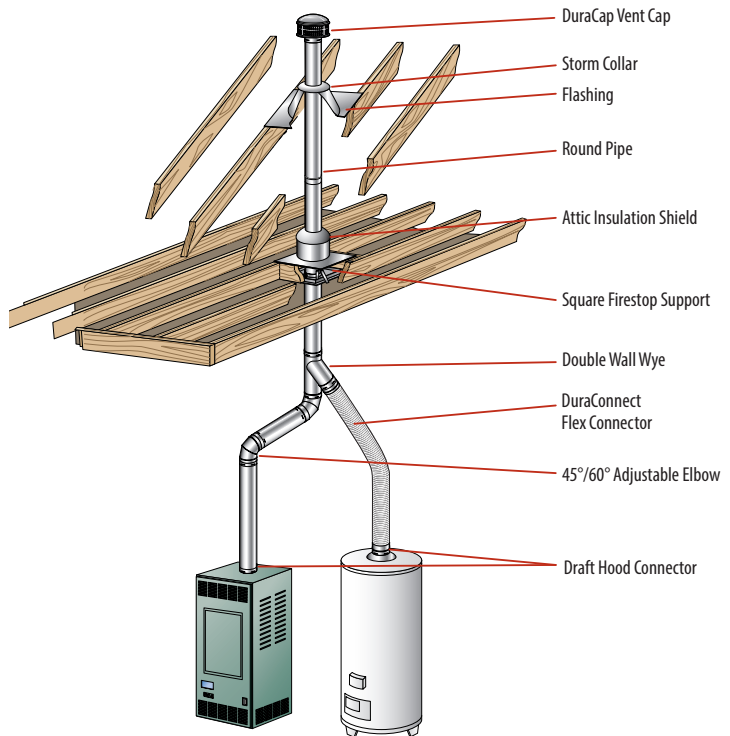
| Features  | Benefits   | Features   | Benefits   |
|---|--|--|--|
| <b>Available in Round and Oval</b>                            | Availability of two pipe shapes allows installers to select appropriate pipe for space needs. Oval pipe is manufactured to fit into standard stud walls, allowing for reduction of total area needed for installation. | <b>Swivel Tees and Elbows</b>                    | Elbows swivel 360° at base providing the flexibility to offset obstructions as needed. Branches of tees and bases of elbows swivel allowing part to be properly lined up after being connected to pipe sections. Saves time and money on installation. |
| <b>Twist locks into place</b>                                 | No sharp tabs to bend into slots. Easy installation with no mechanical fasteners required.   | <b>Aluminum inner pipe</b>                       | Aluminum inner pipe heats up faster. Remains hot during operation and eliminates condensation in the appliance and vent system.  |
| <b>Firm, lock-tight connection</b>                            | Duravent's innovative system DuraLock allows for a lock-tight connection. See the alignment indicators meet; feel the ends grasp together; hear the snap as the connection firmly locks into place.                    | <b>Double-Wall Wye-45° Branch</b>                | Can be used in place of tees to provide a 45° angle instead of 90°. Branch swivels on male end for better alignment for a 45° offset or combining connectors from two or more appliances into a common vent.   |
| <b>Engineered to heat-up rapidly.</b>                         | Type B Gas Vent remains hot during the operation of the appliance with minimal condensation in the appliance and vent system.  | <b>Universal B-Vent to Aluminum Flex Adapter</b> | Connects DuraFlex Aluminum flex to any brand of B-vent, allowing installers to reline a masonry chimney without needing to replace the existing B-vent connector to the appliance, saving the installer time and the homeowner money.                  |
| <b>Pipe lengths are available in multiple lengths 6"-60".</b> | Gives the installer the greatest variety of lengths to reach the desired height with ease and least amount of pipe sections.   | <b>Limited Lifetime Warranty</b>                 | The best Warranty in the industry. 15 years 100%, 15 years and up 50%. Gives the installer and homeowner the greatest peace of mind in a quality installation.   |
|   |  | <b>Made in USA</b>                               | 100% manufactured in USA.  |

## Typical Installations



| Installation Key |                     |    |                         |
|------------------|---------------------|----|-------------------------|
| 1                | DuraCap             | 14 | Increaser               |
| 2                | Storm Collar        | 15 | Draft Hood Connector    |
| 3                | Roof Flashing       | 16 | Square Firestop Support |
| 4                | High-Wind Cap       | 17 | Oval Pipe               |
| 5                | Round Pipe          | 18 | Oval to Round Adapter   |
| 6                | Elbow               | 19 | Oval Tee                |
| 7                | Tee                 | 20 | Oval Tee Cap            |
| 8                | Tee Cap             | 21 | Oval Tee Support        |
| 9                | Increaser Tee       | 22 | Oval Firestop Spacer    |
| 10               | Female Flex Adapter | 23 | DuraConnect II          |
| 11               | Male Adapter        | 24 | DuraFlex AL Length      |
| 12               | Double-Wall Wye     | 25 | DuraFlex Motar Sleeve   |
| 13               | Pipe Collar         | 26 | DuraFlex AL Coupling    |

Refer to our Typical Venting Installation drawings to select the appropriate component parts for your installation.



## How Size and Height Affect Stove Performance

- The amount of heat the vent gases lose as they flow determines how much condensation will occur and how strong the draft will be. To control the heat losses, proper selection of venting materials is of vital importance.
- Double-wall Type B Gas Vent, with an aluminum inner wall and a galvanized steel outer wall, has proven to be the ideal choice in venting materials.

## Vent Termination Chart

Using listed Type B Gas Vent caps may terminate in accordance with this table.

| Roof Pitch          | Minimum Height |        |
|---------------------|----------------|--------|
|                     | Feet           | Meters |
| Flat to 7/12        | 1              | 0.30   |
| Over 7/12 to 8/12   | 1.5            | 0.46   |
| Over 8/12 to 9/12   | 2              | 0.61   |
| Over 9/12 to 10/12  | 2.5            | 0.76   |
| Over 10/12 to 11/12 | 3.25           | 0.99   |
| Over 11/12 to 12/12 | 4              | 1.22   |
| Over 12/12 to 14/12 | 5              | 1.52   |
| Over 14/12 to 16/12 | 6              | 1.83   |
| Over 16/12 to 18/12 | 7              | 2.13   |
| Over 18/12 to 20/12 | 7.5            | 2.29   |
| Over 20/12 to 21/12 | 8              | 2.44   |

## Gas Vent Specification Chart

| Item                              | Clearances   | Maximum Height | Outer Tube Ø                        | Materials  | Locking Device     | UL Listing        | ULC Listing |
|-----------------------------------|--|----------------|-------------------------------------|--|--------------------|-------------------|-------------|
| Type B Vent Round 3"-8"           | 1 inch to combustibles                                 | 100 feet       | 5/8" larger than ID                 | Inner - .012" Aluminum<br>Outer - .018" Galvanized | DuraLock           | MH6357            | CMH1276     |
| Oval Type B Vent 4" and 5"        | 2" x 4" & 2" x 6" stud wall and 1 inch to combustibles | See Note 3     | 2 1/2" x 7 1/4"<br>3 1/8" x 10 7/8" | Inner - .012" Aluminum<br>Outer - .018" Galvanized | Button Lock        | MH6357            | CMH1276     |
| Oval Type B Vent 6"               | 2" x 6" stud wall and 1 inch to combustibles           | See Note 3     | 3 1/4" x 12"                        | Inner - .012" Aluminum<br>Outer - .018" Galvanized | Button Lock        | MH6357            | CMH1276     |
| Type B Vent 3" to 6" Round Liner  | 0"/Masonry   | 50 feet        | 5/8" larger than ID                 | Inner - .012" Aluminum<br>Outer - .018" Galvanized | DuraLock           | MH14420<br>MH6357 | CMH1407     |
| DuraFlex AL Gas Relining 3" to 6" | 0"/Masonry   | 50 feet        | 1/4" larger than ID                 | .010" Aluminum Flex                                | Screws<br>DuraLock | MH14420           | --          |
| DuraConnect 3" to 6"              | 1 inch to combustibles                                 | See Note 4     | 1/4" larger than ID                 | .010" Aluminum Flex<br>.018" Galvalume             | DuraLock           | MH14089           | --          |
| DuraConnect II 3" to 6"           | 1 inch to combustibles                                 | See Note 4     | 1/4" larger than ID                 | .010" Aluminum Flex<br>.018" Galvalume             | DuraLock           | MH14089           | --          |

| NOTES   |
|---|
| 1. Clearance to combustibles is the air space between vent and combustibles.  |
| 2. Maximum height varies with equipment over 50', for taller applications refer to SDV sizing handbook (L202). 14"-16" Pipe require screws. |
| 3. When oval is used on wall furnaces, minimum height required from bottom of furnace to cap is 12', minimum 16" stud space.                |
| 4. Limited by sizing tables.  |

### Round Rigid Pipe

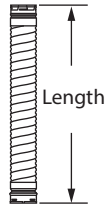


Use for venting listed natural gas or liquid propane Category I, draft hood appliances, or appliances that have been specifically tested and listed to use Type B Gas Vent. The appliances listed typically use Type B Gas Vent systems, but not always: Furnaces, Water Heaters, Boilers, Room Heaters, Decorative Gas Appliances, and Unit Heaters.

To calculate installed length, subtract 1 1/2" from each connection of vent. A 1" clearance (air space) to combustible materials must be maintained. To calculate OD add 5/8".

| SIZE | LENGTH | ORDER # | STOCK #   | SIZE | LENGTH | ORDER # | STOCK #   |
|------|--------|---------|-----------|------|--------|---------|-----------|
| 3"   | 6"     | 3GV06   | 810002492 | 6"   | 6"     | 6GV06   | 810002631 |
| 3"   | 12"    | 3GV12   | 810002493 | 6"   | 12"    | 6GV12   | 810002632 |
| 3"   | 18"    | 3GV18   | 810002495 | 6"   | 18"    | 6GV18   | 810002634 |
| 3"   | 24"    | 3GV24   | 810002497 | 6"   | 24"    | 6GV24   | 810002636 |
| 3"   | 36"    | 3GV36   | 810002499 | 6"   | 36"    | 6GV36   | 810002638 |
| 3"   | 48"    | 3GV48   | 810002501 | 6"   | 48"    | 6GV48   | 810002640 |
| 3"   | 60"    | 3GV60   | 810002503 | 6"   | 60"    | 6GV60   | 810002642 |
| 4"   | 6"     | 4GV06   | 810002536 | 7"   | 6"     | 7GV06   | 810002679 |
| 4"   | 12"    | 4GV12   | 810002537 | 7"   | 12"    | 7GV12   | 810002680 |
| 4"   | 18"    | 4GV18   | 810002539 | 7"   | 18"    | 7GV18   | 810002681 |
| 4"   | 24"    | 4GV24   | 810002541 | 7"   | 24"    | 7GV24   | 810002683 |
| 4"   | 36"    | 4GV36   | 810002543 | 7"   | 36"    | 7GV36   | 810002685 |
| 4"   | 48"    | 4GV48   | 810002545 | 7"   | 48"    | 7GV48   | 810002687 |
| 4"   | 60"    | 4GV60   | 810002547 | 7"   | 60"    | 7GV60   | 810002689 |
| 5"   | 6"     | 5GV06   | 810002584 | 8"   | 12"    | 8GV12   | 810002717 |
| 5"   | 12"    | 5GV12   | 810002585 | 8"   | 18"    | 8GV18   | 810002718 |
| 5"   | 18"    | 5GV18   | 810002587 | 8"   | 24"    | 8GV24   | 810002720 |
| 5"   | 24"    | 5GV24   | 810002589 | 8"   | 36"    | 8GV36   | 810002722 |
| 5"   | 36"    | 5GV36   | 810002591 | 8"   | 48"    | 8GV48   | 810002724 |
| 5"   | 48"    | 5GV48   | 810002593 | 8"   | 60"    | 8GV60   | 810002726 |
| 5"   | 60"    | 5GV60   | 810002595 |      |        |         |           |

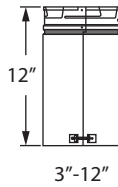
### Flex Pipe



Use for offsets when relining a masonry chimney with Duravent Type B Gas Vent. Add 5/8" for OD.

| SIZE | LENGTH | ORDER # | STOCK #   |
|------|--------|---------|-----------|
| 4"   | 5'     | 4GV60F  | 810002549 |
| 5"   | 5'     | 5GV60F  | 810002597 |
| 6"   | 5'     | 6GV60F  | 810002644 |

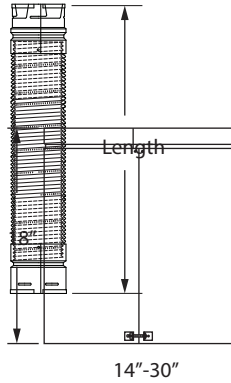
### Round Adjustable Pipe



Use to add length to a straight length of Type B Gas Vent. 12" adds 3"-10" of length, 18" adds 10"-16" of length. Requires a 2" overlap.

| SIZE | LENGTH   | ORDER # | STOCK #   |
|------|----------|---------|-----------|
| 3"   | 3" - 10" | 3GV12A  | 810002505 |
| 4"   | 3" - 10" | 4GV12A  | 810002550 |
| 5"   | 3" - 10" | 5GV12A  | 810002598 |
| 6"   | 3" - 10" | 6GV12A  | 810002645 |
| 7"   | 3" - 10" | 7GV12A  | 810002691 |
| 8"   | 3" - 10" | 8GV12A  | 810002728 |

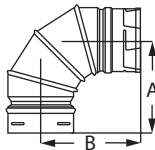
## DuraConnect II - Double-Wall Flex Connector



Use as a connector system to replace rigid gas vent with a flexible section. DuraConnect II can be used when Type B gas vent double-wall connector is required. Not to be enclosed and cannot penetrate through walls, floors, or ceilings. Twist-lock connectors on each end.

| SIZE | LENGTH | ORDER # | STOCK #   |
|------|--------|---------|-----------|
| 3"   | 12"    | 3DV12DW | 810002953 |
| 3"   | 24"    | 3DV24DW | 810002954 |
| 3"   | 36"    | 3DV36DW | 810002955 |
| 3"   | 48"    | 3DV48DW | 810002956 |
| 3"   | 60"    | 3DV60DW | 810002957 |
| 4"   | 12"    | 4DV12DW | 810002958 |
| 4"   | 24"    | 4DV24DW | 810002959 |
| 4"   | 36"    | 4DV36DW | 810002960 |
| 4"   | 48"    | 4DV48DW | 810002961 |
| 4"   | 60"    | 4DV60DW | 810002962 |
| 5"   | 12"    | 5DV12DW | 810002963 |
| 5"   | 24"    | 5DV24DW | 810002964 |
| 5"   | 36"    | 5DV36DW | 810002965 |
| 5"   | 48"    | 5DV48DW | 810002966 |
| 5"   | 60"    | 5DV60DW | 810002967 |
| 6"   | 12"    | 6DV12DW | 810002968 |
| 6"   | 24"    | 6DV24DW | 810002969 |
| 6"   | 36"    | 6DV36DW | 810002970 |
| 6"   | 48"    | 6DV48DW | 810002971 |
| 6"   | 60"    | 6DV60DW | 810002972 |

## 90° Adjustable Elbow

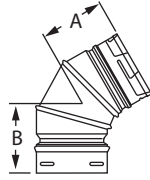


Offsets obstructions as needed. Elbows (3"-8") swivel 360° at base. 90° Elbow is adjustable from 0° to 90° in sizes 3"-10". Elbows must be supported when installed.

| SIZE | ORDER # | STOCK #   | A      | B      |
|------|---------|-----------|--------|--------|
| 3"   | 3GVL90  | 810002506 | 5 1/2" | 5 1/4" |
| 4"   | 4GVL90  | 810002551 | 6"     | 5 1/2" |
| 5"   | 5GVL90  | 810002599 | 6 1/2" | 6 1/2" |
| 6"   | 6GVL90  | 810002646 | 6 3/4" | 6 3/4" |
| 7"   | 7GVL90  | 810002692 | 7 3/4" | 7 1/2" |
| 8"   | 8GVL90  | 810002729 | 7 3/4" | 7 1/2" |



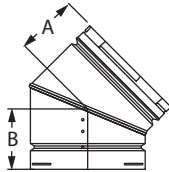
### 45°/60° Adjustable Elbow



Offsets obstructions as needed. Elbows swivel 360° at base. 45°/60° Elbow is adjustable from 0° to 60°. Elbows must be supported when installed.

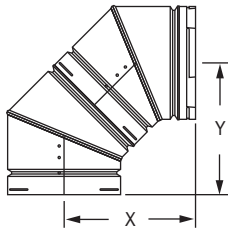
| SIZE | ORDER # | STOCK #   | A      | B      |
|------|---------|-----------|--------|--------|
| 3"   | 3GVL45  | 810002507 | 4"     | 4"     |
| 4"   | 4GVL45  | 810002552 | 4 1/2" | 4 1/2" |
| 5"   | 5GVL45  | 810002600 | 4 1/2" | 4 1/2" |
| 6"   | 6GVL45  | 810002647 | 5"     | 5"     |

### 45° Elbow



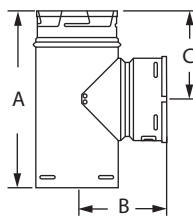
Offsets obstructions as needed. 45° Elbow in size 7"-30". Elbows up to 10" are adjustable. Sizes 12" and larger are not adjustable. Elbows must be supported when installed.

| SIZE | ORDER # | STOCK #   | A      | B      | X       | Y       |
|------|---------|-----------|--------|--------|---------|---------|
| 7"   | 7GVL45  | 810002693 | 4 3/4" | 4 3/4" | 10 1/2" | 10 1/2" |
| 8"   | 8GVL45  | 810002730 | 4 3/4" | 4 3/4" | 10 1/4" | 10 1/4" |



90° offset using two 45° Elbows

### Standard Tee



Use for a 90° offset or to combine connectors from two or more appliances into a common vent. Branch swivels for alignment. 3"-8" feature swivel on male end.

| SIZE | ORDER # | STOCK #   | A      | B       | C      |
|------|---------|-----------|--------|---------|--------|
| 3"   | 3GVT    | 810002508 | 9"     | 4 1/2"  | 4 1/4" |
| 4"   | 4GVT    | 810002553 | 9 7/8" | 4 3/4"  | 4 3/4" |
| 5"   | 5GVT    | 810002601 | 11"    | 5 1/2"  | 5 1/4" |
| 6"   | 6GVT    | 810002648 | 12"    | 5 3/4"  | 5 5/8" |
| 7"   | 7GVT    | 810002694 | 13"    | 6 5/16" | 6 1/4" |
| 8"   | 8GVT    | 810002731 | 14"    | 7 3/8"  | 7"     |

### Reduction Tee



Attaches smaller pipe to branch and larger pipe to body. Use for a 90° offset or to combine connectors from two or more appliances into a common vent. Branch swivels for alignment.

| SIZE | ORDER # | STOCK #   | SIZE | ORDER # | STOCK #   |
|------|---------|-----------|------|---------|-----------|
| 4"   | 4GVTR3  | 810002554 | 7"   | 7GVTR4  | 810002715 |
| 5"   | 5GVTR3  | 810002603 | 7"   | 7GVTR5  | 810002714 |
| 5"   | 5GVTR4  | 810002602 | 7"   | 7GVTR6  | 810002713 |
| 6"   | 6GVTR3  | 810002650 | 8"   | 8GVTR4  | 810002749 |
| 6"   | 6GVTR4  | 810002649 | 8"   | 8GVTR5  | 810002748 |
| 6"   | 6GVTR5  | 810002677 | 8"   | 8GVTR6  | 810002747 |
| 7"   | 7GVTR3  | 810002716 | 8"   | 8GVTR7  | 810002746 |

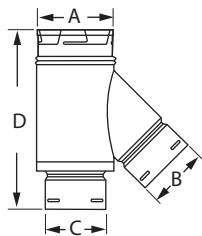
### Tee Cap



Use to cap Standard Tee or Increaser Tee. Remove Tee Cap to inspect the system; clean out debris or collected condensate from the common vent. Fits on inner liner.

| SIZE | ORDER # | STOCK #   |
|------|---------|-----------|
| 3"   | 3GVTC   | 810002509 |
| 4"   | 4GVTC   | 810002555 |
| 5"   | 5GVTC   | 810002604 |
| 6"   | 6GVTC   | 810002651 |
| 7"   | 7GVTC   | 810002695 |
| 8"   | 8GVTC   | 810002732 |

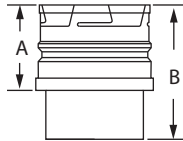
### Double-Wall Wye - 45° Branch



Use to combine connectors from two or more appliances into a common vent. Branch swivels for alignment. Swivel on male end. Additional sizes available through special order.

| SIZE         | ORDER # | STOCK #   | A      | B      | C      | D       |
|--------------|---------|-----------|--------|--------|--------|---------|
| 4" x 4" x 3" | 4GVY43  | 810002556 | 4 1/2" | 4 5/8" | 3 5/8" | 13 7/8" |
| 4" x 4" x 4" | 4GVY44  | 810002557 | 4 1/2" | 4 5/8" | 4 5/8" | 13 7/8" |
| 4" x 3" x 4" | 4GVY34  | 810002558 | 4 1/2" | 3 5/8" | 4 5/8" | 10 3/4" |
| 5" x 3" x 4" | 5GVY34  | 810002605 | 5 1/2" | 3 5/8" | 4 5/8" | 12 1/4" |
| 5" x 4" x 4" | 5GVY44  | 810002606 | 5 1/2" | 4 5/8" | 4 5/8" | 14"     |
| 5" x 4" x 5" | 5GVY45  | 810002607 | 5 1/2" | 4 5/8" | 5 5/8" | 12"     |
| 6" x 3" x 4" | 6GVY34  | 810002652 | 6 1/2" | 3 5/8" | 4 5/8" | 12 5/8" |
| 6" x 4" x 3" | 6GVY43  | 810002653 | 6 1/2" | 4 5/8" | 3 5/8" | 13 1/2" |
| 6" x 4" x 4" | 6GVY44  | 810002654 | 6 1/2" | 4 5/8" | 4 5/8" | 14"     |
| 6" x 4" x 5" | 6GVY45  | 810002655 | 6 1/2" | 4 5/8" | 5 5/8" | 13 1/4" |
| 6" x 3" x 5" | 6GVY35  | 810002656 | 6 1/2" | 3 5/8" | 5 5/8" | 13 1/4" |
| 6" x 4" x 6" | 6GVY46  | 810002657 | 6 1/2" | 4 5/8" | 6 5/8" | 12"     |
| 7" x 3" x 5" | 7GVY35  | 810002696 | 7 1/2" | 3 5/8" | 5 5/8" | 12 1/4" |

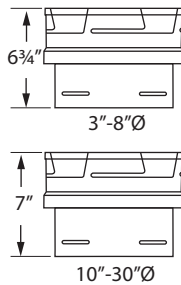
### Draft Hood Connector



Use to connect appliance or single-wall connector to vent system.

| SIZE | ORDER # | STOCK #   | A  | B  |
|------|---------|-----------|----|----|
| 3"   | 3GVC    | 810002510 | 3" | 6" |
| 4"   | 4GVC    | 810002559 | 3" | 6" |
| 5"   | 5GVC    | 810002608 | 3" | 6" |
| 6"   | 6GVC    | 810002658 | 3" | 6" |
| 7"   | 7GVC    | 810002697 | 3" | 6" |
| 8"   | 8GVC    | 810002733 | 3" | 6" |

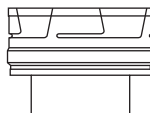
### Increaser



Use to increase vent diameter. Additional sizes available through special order.

| SIZE     | ORDER # | STOCK #   |
|----------|---------|-----------|
| 3" x 4"  | 3GVX4   | 810002511 |
| 3" x 5"  | 3GVX5   | 810002512 |
| 3" x 6"  | 3GVX6   | 810002513 |
| 3" x 7"  | 3GVX7   | 810002514 |
| 4" x 5"  | 4GVX5   | 810002560 |
| 4" x 6"  | 4GVX6   | 810002561 |
| 4" x 7"  | 4GVX7   | 810002562 |
| 4" x 8"  | 4GVX8   | 810002563 |
| 5" x 6"  | 5GVX6   | 810002609 |
| 5" x 7"  | 5GVX7   | 810002610 |
| 5" x 8"  | 5GVX8   | 810002611 |
| 5" x 12" | 5GVX12  | 810010094 |
| 6" x 7"  | 6GVX7   | 810002659 |
| 6" x 8"  | 6GVX8   | 810002660 |
| 7" x 8"  | 7GVX8   | 810002698 |

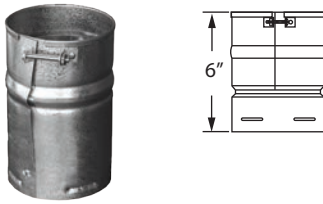
### Draft Hood Increaser



Use to increase the vent diameter directly on top of the appliance.

| SIZE   | ORDER # | STOCK #   |
|--------|---------|-----------|
| 3"- 4" | 3GVRR4  | 810002515 |
| 3"- 5" | 3GVRR5  | 810002516 |
| 4"- 5" | 4GVRR5  | 810002564 |

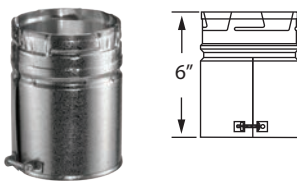
### Female Adapter



Use to connect listed Type B Gas Vent system manufactured by other companies to existing Duravent Type B Gas Vent. For adapting to flex see DuraFlex Female Flex Adapter.

| SIZE | ORDER # | STOCK #   | SIZE | ORDER # | STOCK #   |
|------|---------|-----------|------|---------|-----------|
| 3"   | 3GVAF   | 810002517 | 6"   | 6GVAF   | 810002661 |
| 4"   | 4GVAF   | 810002565 | 7"   | 7GVAF   | 810002699 |
| 5"   | 5GVAF   | 810002612 | 8"   | 8GVAF   | 810002734 |

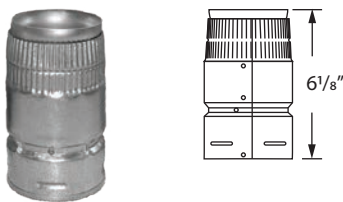
### Male Adapter



Use to connect existing Duravent Type B Gas Vent to a listed Type B Gas Vent system manufactured by other companies. Male adapter can also be used to attach to DuraFlex AL.

| SIZE | ORDER # | STOCK #   | SIZE | ORDER # | STOCK #   |
|------|---------|-----------|------|---------|-----------|
| 3"   | 3GVAM   | 810002518 | 6"   | 6GVAM   | 810002662 |
| 4"   | 4GVAM   | 810002566 | 7"   | 7GVAM   | 810002700 |
| 5"   | 5GVAM   | 810002613 | 8"   | 8GVAM   | 810002735 |

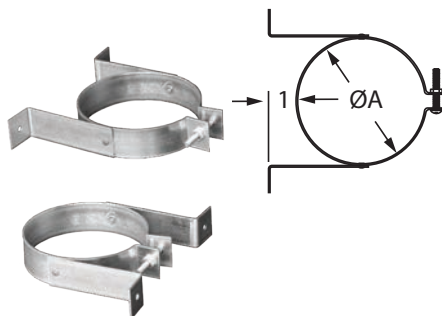
### H/C Adapter



Use to connect Duravent Type B Gas Vent products to an existing listed Type B Gas Vent system, manufactured by other companies using locking ring system.

| SIZE | ORDER # | STOCK #   |
|------|---------|-----------|
| 3"   | 3GVADHC | 810002519 |
| 4"   | 4GVADHC | 810002567 |
| 5"   | 5GVADHC | 810002614 |
| 6"   | 6GVADHC | 810002663 |

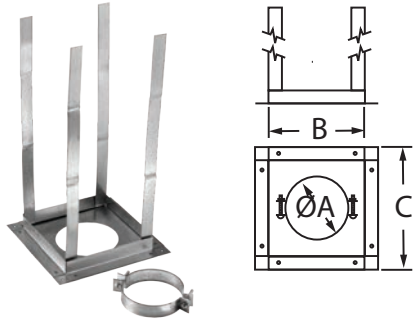
### Wall Strap



Use to provide support for offsets and horizontal runs. Recommended every 4' to support vertical common vent. Use also with DuraConnect or DuraConnect II. Wall Strap legs can be rotated 360° to conceal screw.

| SIZE | ORDER # | STOCK #   | A      |
|------|---------|-----------|--------|
| 3"   | 3GVWS   | 810002520 | 3 5/8" |
| 4"   | 4GVWS   | 810002568 | 4 5/8" |
| 5"   | 5GVWS   | 810002615 | 5 5/8" |
| 6"   | 6GVWS   | 810002664 | 6 5/8" |
| 7"   | 7GVWS   | 810002701 | 7 5/8" |
| 8"   | 8GVWS   | 810002736 | 8 5/8" |

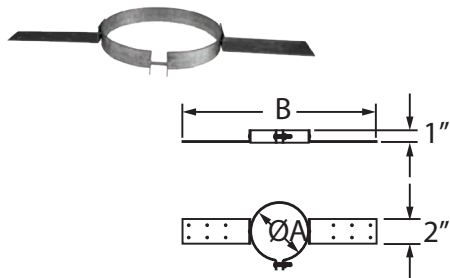
### Square Firestop Support



Use to support vent at ceiling level. Includes clamp that supports and prevents pipe sections from slipping down. Provides the mandatory 1" clearance to combustibles. Straps extend 16".

| SIZE | ORDER # | STOCK #   | A      | B       | C       |
|------|---------|-----------|--------|---------|---------|
| 3"   | 3GVRS   | 810002521 | 3 3/4" | 5 3/4"  | 7 3/4"  |
| 4"   | 4GVRS   | 810002569 | 4 3/4" | 6 3/4"  | 8 3/4"  |
| 5"   | 5GVRS   | 810002616 | 5 3/4" | 7 3/4"  | 9 3/4"  |
| 6"   | 6GVRS   | 810002665 | 6 3/4" | 8 3/4"  | 10 3/4" |
| 7"   | 7GVRS   | 810002702 | 7 3/4" | 9 3/4"  | 11 3/4" |
| 8"   | 8GVRS   | 810002737 | 8 3/4" | 10 3/4" | 12 3/4" |

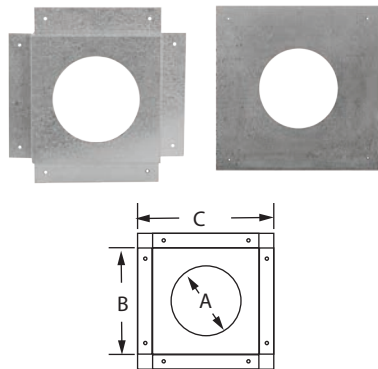
### Gas Vent Roof Support



Use to support Type B gas vent pipe at roof level. Can be used when DuraConnect II is installed in attic space.

| SIZE | ORDER # | STOCK #   | A      | B       |
|------|---------|-----------|--------|---------|
| 3"   | 3GVS    | 810002522 | 3 5/8" | 14 3/4" |
| 4"   | 4GVS    | 810002570 | 4 5/8" | 15 3/4" |
| 5"   | 5GVS    | 810002617 | 5 5/8" | 16 3/4" |
| 6"   | 6GVS    | 810002666 | 6 5/8" | 17 3/4" |

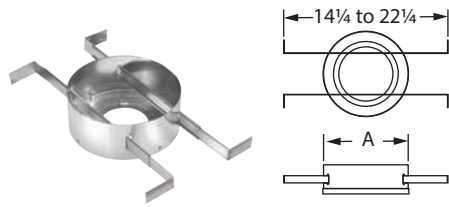
### Firestop Spacer



Use at every ceiling level where Square Firestop Support is not used. 3"-6" style shown in left photo. 7", 8" style shown in right photo.

| SIZE | ORDER # | STOCK #   | A      | B       | C       |
|------|---------|-----------|--------|---------|---------|
| 3"   | 3GVFS   | 810002523 | 3 3/4" | 5 3/4"  | 7 3/4"  |
| 4"   | 4GVFS   | 810002571 | 4 3/4" | 6 3/4"  | 8 3/4"  |
| 5"   | 5GVFS   | 810002618 | 5 3/4" | 7 3/4"  | 9 3/4"  |
| 6"   | 6GVFS   | 810002667 | 6 3/4" | 8 3/4"  | 10 3/4" |
| 7"   | 7GVFS   | 810002703 | 7 3/4" | 9 3/4"  | 11 5/8" |
| 8"   | 8GVFS   | 810002738 | 8 3/4" | 10 3/4" | 12 5/8" |

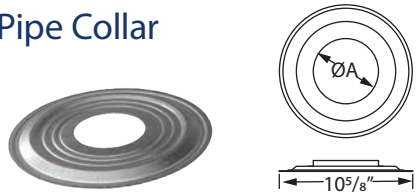
### Round Bucket Support



Use to support the Type B gas vent between 16" to 24" on-center joists or rafters. Use with a Draft Hood Connector to transition fitting between single-wall connector and Type B gas vent pipe sections. A Firestop Spacer is required.

| SIZE   | ORDER # | STOCK #   | A   |
|--------|---------|-----------|-----|
| 3"- 4" | 3GVR54  | 810002524 | 7"  |
| 5"- 6" | 5GVR56  | 810002619 | 8"  |
| 7"- 8" | 7GVR58  | 810002704 | 10" |

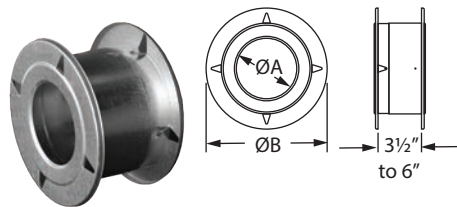
### Pipe Collar



Use for decorative purposes. Optional.

| SIZE | ORDER # | STOCK #   | A      |
|------|---------|-----------|--------|
| 3"   | 3GVPC   | 810002525 | 3 3/4" |
| 4"   | 4GVPC   | 810002572 | 4 3/4" |
| 5"   | 5GVPC   | 810002620 | 5 3/4" |
| 6"   | 6GVPC   | 810002668 | 6 3/4" |

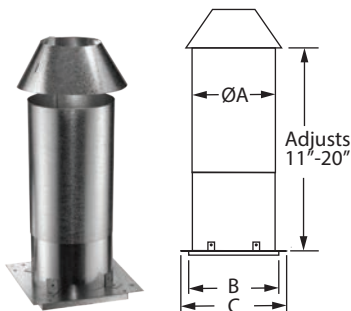
### Wall Thimble



Use for through-the-wall system to provide clearances for vent from combustibles. Adjusts from 3 1/2" to 6" to accommodate various wall thicknesses. Larger diameter wall thimbles are field-fabricated. (See local codes for guidelines.)

| SIZE | ORDER # | STOCK #   | A      | B       |
|------|---------|-----------|--------|---------|
| 3"   | 3GVWT   | 810002526 | 3 3/4" | 7 1/2"  |
| 4"   | 4GVWT   | 810002573 | 4 3/4" | 8 1/2"  |
| 5"   | 5GVWT   | 810002621 | 5 3/4" | 9 1/2"  |
| 6"   | 6GVWT   | 810002669 | 6 3/4" | 10 1/2" |
| 7"   | 7GVWT   | 810002705 | 7 3/4" | 11 1/2" |
| 8"   | 8GVWT   | 810002739 | 8 3/4" | 12 1/2" |

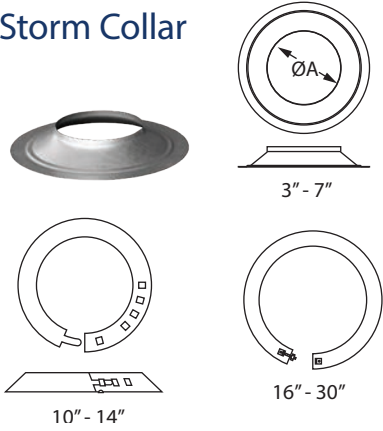
### Attic Insulation Shield



Required for installations that pass through an attic to prevent insulation and debris from accumulating near the vent.

| SIZE   | ORDER # | STOCK #   | A       | B        | C      |
|--------|---------|-----------|---------|----------|--------|
| 3"- 4" | 3GVIS   | 810002527 | 6 3/4"  | 7 3/16"  | 9 1/4" |
| 5"- 6" | 5GVIS   | 810002622 | 8 3/4"  | 8 15/16" | 11"    |
| 7"- 8" | 7GVIS   | 810002706 | 10 3/4" | 10 5/16" | 13"    |

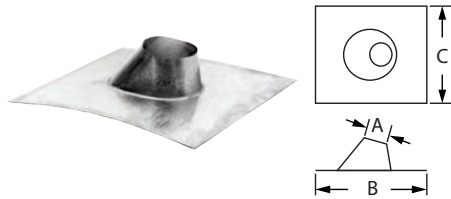
### Storm Collar



Use to maintain a weather tight resistant seal between the pipe and the flashing.

| SIZE | ORDER # | STOCK #   | A      |
|------|---------|-----------|--------|
| 3"   | 3GVSC   | 810002528 | 3 5/8" |
| 4"   | 4GVSC   | 810002574 | 4 5/8" |
| 5"   | 5GVSC   | 810002623 | 5 5/8" |
| 6"   | 6GVSC   | 810002670 | 6 5/8" |
| 7"   | 7GVSC   | 810002707 | 7 5/8" |
| 8"   | 8GVSC   | 810002740 | 8 5/8" |

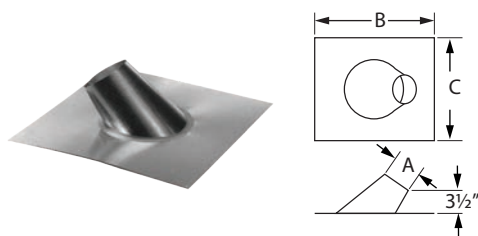
### Adjustable Roof Flashing



Use to weather proof the penetration of vent pipe through the roof. Storm Collar required. Select roof flashing based on pitch of roof. For pitches of 0/12 - 6/12. Made of galvalume.

| SIZE | ORDER # | STOCK #   | A      | B       | C       |
|------|---------|-----------|--------|---------|---------|
| 3"   | 3GVF    | 810002529 | 3 5/8" | 16"     | 16"     |
| 4"   | 4GVF    | 810002575 | 4 5/8" | 17"     | 17"     |
| 5"   | 5GVF    | 810002624 | 5 5/8" | 18 3/8" | 18 3/8" |
| 6"   | 6GVF    | 810002671 | 6 3/4" | 19 1/4" | 19 1/4" |
| 7"   | 7GVF    | 810002708 | 7 3/4" | 21 1/2" | 21 1/2" |
| 8"   | 8GVF    | 810002741 | 8 3/4" | 21 1/2" | 21 1/2" |

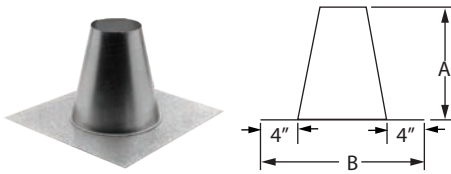
### Steep Roof Flashing



Use to weather proof the penetration of vent pipe through the roof. Storm Collar required. Select roof flashing based on pitch of roof. For pitches of 7/12 - 12/12. Made of galvalume.

| SIZE | ORDER # | STOCK #   | A      | B       | C       |
|------|---------|-----------|--------|---------|---------|
| 3"   | 3GVFSR  | 810002530 | 3 3/4" | 14"     | 18"     |
| 4"   | 4GVFSR  | 810002576 | 4 3/4" | 15"     | 20"     |
| 5"   | 5GVFSR  | 810002625 | 5 3/4" | 16"     | 21 3/4" |
| 6"   | 6GVFSR  | 810002672 | 6 3/4" | 17 1/2" | 23 3/4" |
| 7"   | 7GVFSR  | 810002709 | 7 3/4" | 18 1/2" | 24"     |
| 8"   | 8GVFSR  | 810002742 | 8 3/4" | 19"     | 25 1/2" |

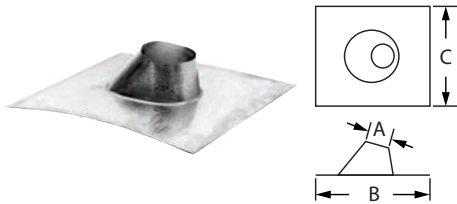
### Tall Cone Flat Flashing



Use to weather proof the penetration of vent pipe through the roof. Storm Collar required. Select roof flashing based on pitch of roof. Use on flat roofs, chase enclosures, or masonry chimney. Made of galvalume.

| SIZE | ORDER # | STOCK #   | A       | B       |
|------|---------|-----------|---------|---------|
| 3"   | 3GVFF   | 810002531 | 11 1/4" | 16"     |
| 4"   | 4GVFF   | 810002577 | 11 1/4" | 17"     |
| 5"   | 5GVFF   | 810002626 | 11 1/4" | 18 1/4" |
| 6"   | 6GVFF   | 810002673 | 10 7/8" | 18 1/4" |
| 7"   | 7GVFF   | 810002710 | 11 1/4" | 21 1/2" |
| 8"   | 8GVFF   | 810002743 | 11 1/4" | 21 1/2" |

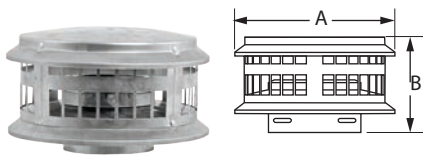
### DSA Roof Flashing



Use with metal or tile roofs. Available in Adjustable Roof Flashing style (0/12-6/12). Made of dead soft aluminum. Refer to Roof Flashing tables for dimensions.

| SIZE | ORDER # | STOCK #   | A      | B       | C         |
|------|---------|-----------|--------|---------|-----------|
| 3"   | 3GVFDSA | 810002533 | 3 5/8" | 19 3/8" | 23"       |
| 4"   | 4GVFDSA | 810002578 | 4 5/8" | 19 3/8" | 23"       |
| 5"   | 5GVFDSA | 810002627 | 5 5/8" | 22"     | 24 13/16" |
| 6"   | 6GVFDSA | 810002674 | 6 3/4" | 22"     | 24 13/16" |

### DuraCap

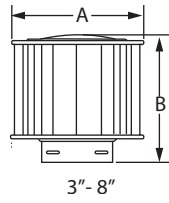


Required where pipe terminates above the roof line. Use for vertical installations only.

| SIZE | ORDER # | STOCK #   | A   | B      |
|------|---------|-----------|-----|--------|
| 3"   | 3GVDC   | 810002534 | 8"  | 5"     |
| 4"   | 4GVDC   | 810002579 | 8"  | 5"     |
| 5"   | 5GVDC   | 810002628 | 11" | 7 1/2" |
| 6"   | 6GVDC   | 810002675 | 11" | 7 1/2" |
| 7"   | 7GVDC   | 810002711 | 15" | 7 1/4" |
| 8"   | 8GVDC   | 810002744 | 15" | 7 1/4" |



## High-Wind Cap



Use for vertical terminations only. Provides improved performance in high wind conditions. For vertical terminations only.

| SIZE | ORDER # | STOCK #   | A     | B     |
|------|---------|-----------|-------|-------|
| 3"   | 3GVVTH  | 810002535 | 7 ½"  | 7 ¼"  |
| 4"   | 4GVVTH  | 810002581 | 8 ½"  | 8 ¼"  |
| 5"   | 5GVVTH  | 810002629 | 9 ½"  | 9 ⅜"  |
| 6"   | 6GVVTH  | 810002676 | 10 ½" | 9 ¼"  |
| 7"   | 7GVVTH  | 810002712 | 11 ½" | 11 ¾" |
| 8"   | 8GVVTH  | 810002745 | 12 ½" | 12 ¾" |

# Oval Type B Gas Vent

## Oval Installation Kit

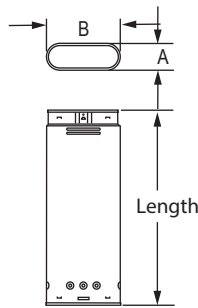


Kit includes: Oval Base Plate and (2) Oval Ceiling Plate Spacers.

Use for wall furnaces installed in a single-story application.

| SIZE | ORDER # | STOCK #   |
|------|---------|-----------|
| 4"   | 4GV0-K  | 810002879 |

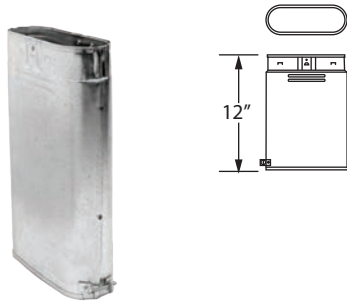
## Oval Rigid Pipe



Use for venting listed natural gas or liquid propane Category I, draft hood appliances, or appliances that have been specifically tested and listed to use Type B Gas Vent. The appliances listed typically use Type B Gas Vent systems, but not always: Furnaces, Water Heaters, Boilers, Room Heaters, Decorative Gas Appliances, and Unit Heaters. Designed to be placed within 2" x 4" stud walls (4" and 5" oval pipe). 6" may only be placed in a 2" x 6" 16" O.C. stud space.

| SIZE | LENGTH | ORDER # | STOCK #   | A      | B       |
|------|--------|---------|-----------|--------|---------|
| 4"   | 6"     | 4GW06   | 810002880 | 2 1/2" | 7 1/4"  |
| 4"   | 12"    | 4GW12   | 810002881 | 2 1/2" | 7 1/4"  |
| 4"   | 18"    | 4GW18   | 810002882 | 2 1/2" | 7 1/4"  |
| 4"   | 24"    | 4GW24   | 810002883 | 2 1/2" | 7 1/4"  |
| 4"   | 36"    | 4GW36   | 810002884 | 2 1/2" | 7 1/4"  |
| 4"   | 48"    | 4GW48   | 810002885 | 2 1/2" | 7 1/4"  |
| 4"   | 60"    | 4GW60   | 810002886 | 2 1/2" | 7 1/4"  |
| 5"   | 6"     | 5GW06   | 810002906 | 3 1/8" | 10 7/8" |
| 5"   | 12"    | 5GW12   | 810002907 | 3 1/8" | 10 7/8" |
| 5"   | 18"    | 5GW18   | 810002908 | 3 1/8" | 10 7/8" |
| 5"   | 24"    | 5GW24   | 810002909 | 3 1/8" | 10 7/8" |
| 5"   | 36"    | 5GW36   | 810002910 | 3 1/8" | 10 7/8" |
| 5"   | 48"    | 5GW48   | 810002911 | 3 1/8" | 10 7/8" |
| 5"   | 60"    | 5GW60   | 810002912 | 3 1/8" | 10 7/8" |
| 6"   | 6"     | 6GW06   | 810002930 | 3 1/4" | 11 7/8" |
| 6"   | 12"    | 6GW12   | 810002931 | 3 1/4" | 11 7/8" |
| 6"   | 18"    | 6GW18   | 810002932 | 3 1/4" | 11 7/8" |
| 6"   | 36"    | 6GW36   | 810002934 | 3 1/4" | 11 7/8" |
| 6"   | 48"    | 6GW48   | 810002935 | 3 1/4" | 11 7/8" |

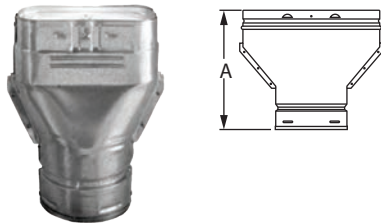
### Oval Adjustable Pipe



Use to add length to a straight length of Oval Type B Gas Vent Pipe. Adjusts from 4"-10". Requires a 2" overlap.

| SIZE | LENGTH | ORDER # | STOCK #   |
|------|--------|---------|-----------|
| 4"   | 12"    | 4GW12A  | 810002887 |
| 5"   | 12"    | 5GW12A  | 810002913 |
| 6"   | 12"    | 6GW12A  | 810002937 |

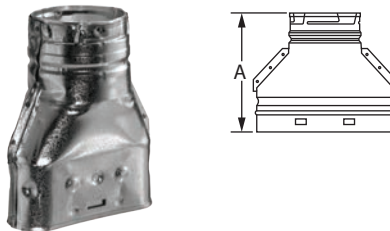
### Round-To-Oval Adapter



Use to convert from round to oval vent.

| SIZE     | ORDER # | STOCK #   | A       |
|----------|---------|-----------|---------|
| 3" to 4" | 4GWAR3  | 810002889 | 9 1/4"  |
| 4"       | 4GWARO  | 810002890 | 9 1/4"  |
| 5"       | 5GWARO  | 810002915 | 9 3/8"  |
| 6"       | 6GWARO  | 810002939 | 11 1/2" |

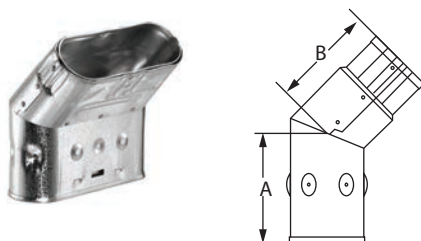
### Oval-To-Round Adapter



Use to convert from oval to round vent.

| SIZE | ORDER # | STOCK #   | A      |
|------|---------|-----------|--------|
| 4"   | 4GWAOR  | 810002891 | 9 1/4" |
| 5"   | 5GWAOR  | 810002916 | 9 7/8" |

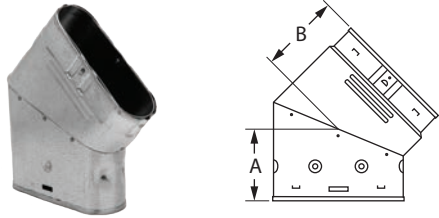
### Oval 45° Elbow - Standard



Offsets obstructions as needed. Not adjustable.

| SIZE | ORDER # | STOCK #   | A      | B      |
|------|---------|-----------|--------|--------|
| 4"   | 4GWL45  | 810002892 | 3 5/8" | 3 1/2" |
| 5"   | 5GWL45  | 810002917 | 4 1/8" | 5"     |
| 6"   | 6GWL45  | 810002941 | 5"     | 5"     |

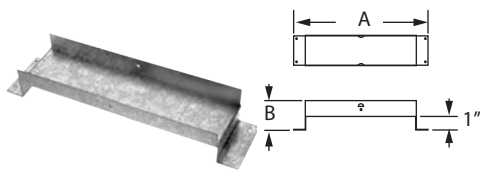
### Oval 45° Elbow - Flat



Offsets obstructions as needed. Not adjustable.

| SIZE | ORDER # | STOCK #   | A      | B      |
|------|---------|-----------|--------|--------|
| 4"   | 4GWL45F | 810002893 | 4 1/2" | 4 1/8" |
| 5"   | 5GWL45F | 810002918 | 5 1/4" | 5 3/8" |
| 6"   | 6GWL45F | 810002942 | 5 3/4" | 4 3/4" |

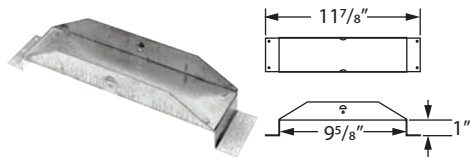
### Oval Tee Support - Plain



Use to support and center Oval Tee. Use with Oval Tee Cap.

| SIZE | ORDER # | STOCK #   | A       | B      |
|------|---------|-----------|---------|--------|
| 5"   | 5GWTS   | 810002919 | 13 7/8" | 2 1/8" |

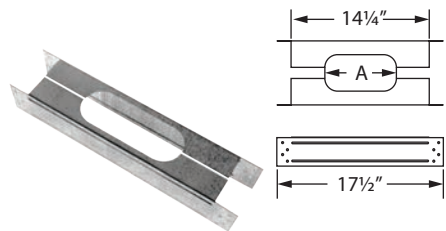
### Oval Tee Support - Base Plate



Use to support and center Oval Tee. Use with Oval Tee Cap.

| SIZE | ORDER # | STOCK #   |
|------|---------|-----------|
| 4"   | 4GWPS   | 810002894 |

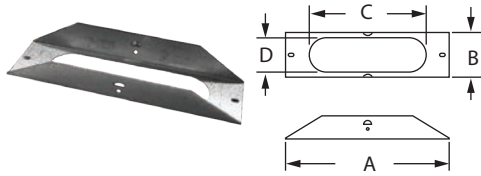
### Oval Firestop Spacer



Use to center oval vent in a minimum 16" on-center stud space. Serves as a firestop at the ceiling level. Required in multi-story installations. (2 spacers included)

| SIZE | ORDER #  | STOCK #   | A      |
|------|----------|-----------|--------|
| 4"   | 4GWFS    | 810013440 | 7 1/2" |
| 4"   | 4GWFS2X6 | 810013441 | 7 1/2" |
| 5"   | 5GWFS    | 810013442 | 11"    |
| 5"   | 5GWFS2X6 | 810013443 | 11"    |

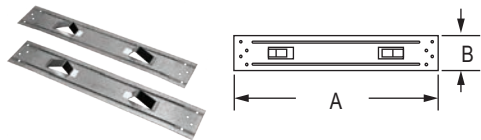
### Oval Base Plate



Use to attach oval vent to a wall furnace.

| SIZE | ORDER # | STOCK #   | A      | B      | C      | D  |
|------|---------|-----------|--------|--------|--------|----|
| 4"   | 4GWBP   | 810002897 | 9 5/8" | 2 3/8" | 6 7/8" | 2" |

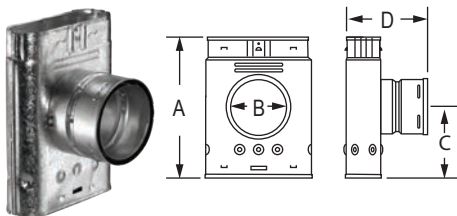
### Oval Ceiling Plate Spacer



Use to center the oval vent where Oval Firestop Spacer is not required. (2 plates included)

| SIZE | ORDER # | STOCK #   | A       | B  |
|------|---------|-----------|---------|----|
| 4"   | 4GWCS   | 810013444 | 17 1/2" | 3" |

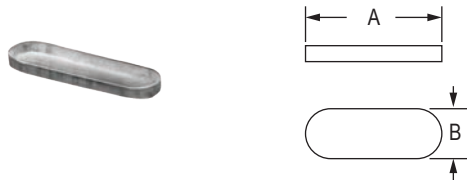
### Oval Standard Tee



Use to attach round pipe to oval pipe. Use for a 90° offset or to combine connectors from two or more appliances into a common vent.

| SIZE | ORDER # | STOCK #   | A       | B  | C      | D      |
|------|---------|-----------|---------|----|--------|--------|
| 4"   | 4GWT    | 810002899 | 10 1/4" | 4" | 5 1/4" | 6"     |
| 5"   | 5GWT    | 810002922 | 11 3/4" | 5" | 6 1/4" | 6 1/4" |
| 6"   | 6GWT    | 810002945 | 12 1/8" | 6" | 6"     | 7"     |

### Oval Tee Cap



Use to close off bottom of Oval Tee. Fits on inner liner.

| SIZE | ORDER # | STOCK #   | A       | B      |
|------|---------|-----------|---------|--------|
| 4"   | 4GWTC   | 810002901 | 6 7/8"  | 2"     |
| 5"   | 5GWTC   | 810002925 | 10 3/8" | 2 3/4" |

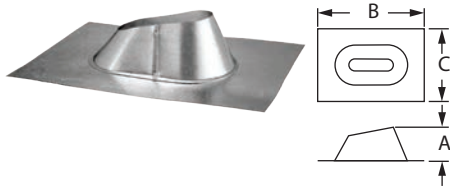
### Oval Storm Collar



Use to maintain a weather tight resistant seal between the pipe and the flashing.

| SIZE | ORDER # | STOCK #   | A       | B       |
|------|---------|-----------|---------|---------|
| 4"   | 4GWSC   | 810002902 | 7 1/2"  | 10 1/4" |
| 5"   | 5GWSC   | 810002926 | 10 3/4" | 13 3/8" |
| 6"   | 6GWSC   | 810002949 | 12"     | 15"     |

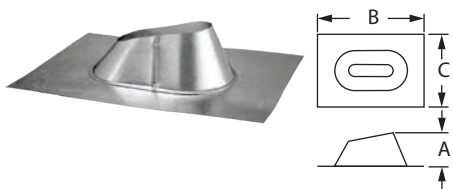
### Oval Adjustable Roof Flashing



Use to weather proof the penetration of vent pipe through the roof. Storm Collar required. Select roof flashing based on pitch of roof. For pitches of 0/12 - 6/12. Made of galvalume.

| SIZE | ORDER # | STOCK #   | A      | B       | C       |
|------|---------|-----------|--------|---------|---------|
| 4"   | 4GWF    | 810002905 | 3 1/2" | 18"     | 12 1/2" |
| 5"   | 5GWF    | 810002927 | 7 3/4" | 25 1/2" | 17 1/2" |
| 6"   | 6GWF    | 810002950 | 7 1/8" | 25 1/2" | 17 1/2" |

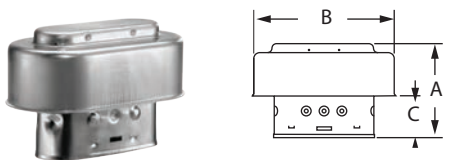
### Oval DSA Roof Flashing



Use with metal or tile roofs. Available in Adjustable Roof Flashing style (0/12-6/12). Made of dead soft aluminum. Refer to Roof Flashing tables for dimensions.

| SIZE | ORDER # | STOCK #   | A      | B       | C       |
|------|---------|-----------|--------|---------|---------|
| 4"   | 4GWFDSA | 810002904 | 3 3/4" | 28 1/2" | 23 1/2" |
| 5"   | 5GWFDSA | 810002928 | 3 1/2" | 30 1/2" | 27"     |
| 6"   | 6GWFDSA | 810002951 | 7"     | 35"     | 27"     |

### Oval Cap



Required where pipe terminates above the roof line. Use for vertical installations only.

| SIZE | ORDER # | STOCK #   | A      | B       | C      |
|------|---------|-----------|--------|---------|--------|
| 4"   | 4GWVT   | 810002903 | 6 1/8" | 10"     | 2 3/4" |
| 5"   | 5GWVT   | 810002929 | 7 1/2" | 15 1/4" | 3 3/4" |
| 6"   | 6GWVT   | 810002952 | 7 1/2" | 15 1/4" | 4"     |

## Authorized Channels and Product Lines

Duravent offers a variety of products for various channels of distribution and sale, some of which are intended for professional dealers and installers and others are intended for the consumer and do-it-yourself customer.

## Products Authorized For Internet Sales

Duravent has identified products that may be suitable for a non-certified installer who has above average strength, aptitude and skills for doing a complex installation such as an all-fuel chimney system. These product categories are made available to consumers and do-it-yourself installers, including Internet Sales:

- **DuraPlus** all-fuel chimney systems.
- **PelletVent** multi-fuel chimney systems for wood pellet and corn pellet stoves.
- **DuraBlack** single-wall stove pipe.
- **DVL** double-wall stove pipe.
- **Type B gas vent.**

## Definitions

Duravent defines an "Internet seller" as a merchant whose sales are consummated over a website using a "shopping cart" feature and available to consumers.

Duravent further defines a "qualified professional installer" as one of the following: licensed contractors with prior chimney installation experience, CSIA Certified Chimney Sweeps, NFI Certified Specialists, or WETT Certified Professionals.

## MAP Pricing

Duravent provides MAP (minimum advertised pricing) pricing on its price lists. All media advertising directed at consumers must not represent pricing at levels below MAP.

## Warnings to Consumers

Duravent will provide a variety of warnings to consumers regarding internet sales and the potential for no warranty. These warnings will include product labeling, installation instruction notices, and explanations on our web site, [www.duravent.com](http://www.duravent.com).

## Further Actions

Duravent will proactively monitor the web for non-compliant Internet sellers, and may take action against non-compliant sites. The cooperation of all parties in the distribution channels is essential to our mutual success and support of our various venting product lines.

1435\015\1567345.1

## Terms & Condition of Sale

1. **PRICES:** All prices and designs are subject to change without notice.
2. **CREDIT:** All sales are subject to credit approval.
3. **BROKEN CARTON CHARGES:** Broken carton orders are subject to broken carton charges. Broken carton charges are 25% of list price per stock #.
4. **RETURNS:** All returns must be approved and issued by RGA.
5. **DELAYS:** Duravent is not responsible for delays caused by our freight providers.
6. **REFUSAL OF DELIVERY:** Refused shipments, without cause, will result in additional charges, including freight, restocking and recartoning.
7. **SHORTAGES:** All claims for shortages and damages must be made within 48 hours.
8. **DAMAGE:** Duravent is not responsible for freight damage. All claims for damage must be made on a timely basis directly to the freight provider. Any evidence of damage to the carton is cause for immediate inspection of the goods. Damaged goods must be retained by the customer until credit is approved. All claims for damages must be accompanied by proof (e.g. digital photo) and is subject to approval by Duravent.
9. **DEFECTS:** All claims for manufacturing defects must be accompanied by proof (e.g. digital photo) and is subject to approval by Duravent.
10. **INDEMNITY:** Duravent does not permit modifications to products or changes to installation instructions. Customers modifying products or installation procedures shall, regardless of specific instructions to the user, indemnify, defend, and hold harmless Duravent for any and all claimed losses or damages occasioned in whole or in part by special order or modified products and procedures.
11. **RESALE OVER THE INTERNET:** Resale of product over the internet is subject to the terms of our "Internet Sales Policy" and warranty. A copy of this policy can be obtained from Customer Service at 1-800-835-4429.





Duravent, Inc. ("Duravent") provides this limited lifetime warranty for all of its products to the original purchaser, with the exception of DuraBlack (five years) and all Termination Caps (five years). Subject to the limitations set forth below, Duravent warrants that its products will be free from substantial defects in material or manufacturing, if properly installed, maintained and used. This Warranty is non-transferable with the exception of Ventinox which is transferable from the original homeowner to the buyer of the home for a period of ten (10) years. This warranty does not cover normal wear and tear, smoke damage or damage caused by chimney fires, acts of God, or any product that was: (1) purchased other than from an authorized Duravent dealer, retailer or distributor; (2) modified or altered; (3) improperly serviced, inspected or cleaned; or (4) subject to negligence or any use not in accordance with the printed materials provided with the product as determined by Duravent. This limited lifetime warranty applies only to parts manufactured by Duravent.

Duravent provides the following warranties for its products: One Hundred Percent (100%) of the purchase price or MSRP at time of purchase, whichever is lower, for 15 years from the date of purchase, and Fifty Percent (50%) thereafter. Termination Caps and DuraBlack® are warranted at One Hundred Percent (100%) for five years.

All warranty obligations of Duravent shall be limited to repair or replacement of the defective product pursuant to the terms and conditions applicable to each product line. These remedies shall constitute Duravent's sole obligation and sole remedy under this limited warranty. This warranty provides no cash surrender value. The terms and conditions of this limited lifetime warranty may not be modified, altered or waived by any action, inaction or representation, whether oral or in writing, except upon the express, written authority of an executive officer of Duravent.

Duravent reserves the right to inspect defective product to determine if it qualifies for replacement under the terms of this limited lifetime warranty. All warranty claims must be submitted with proof of purchase. Labor and installation costs are not covered under this warranty. To obtain warranty service contact Duravent promptly at Duravent Warranty Service, 902 Aldridge Rd., Vacaville CA 95688, or call 800-835-4429.

WHERE LAWFUL, Duravent DISCLAIMS ALL OTHER WARRANTIES, INCLUDING BUT NOT LIMITED TO IMPLIED WARRANTIES OF MERCHANTABILITY AND FITNESS FOR A PARTICULAR PURPOSE. IN NO EVENT WILL Duravent BE LIABLE FOR INCIDENTAL, CONSEQUENTIAL, PUNITIVE OR SPECIAL DAMAGES OR DIRECT OR INDIRECT LOSS OF ANY KIND, INCLUDING BUT NOT LIMITED TO PROPERTY DAMAGE AND PERSONAL INJURY. Duravent'S ENTIRE LIABILITY IS LIMITED TO THE PURCHASE PRICE OF THIS PRODUCT. SOME STATES DO NOT ALLOW LIMITATIONS ON IMPLIED WARRANTIES, OR THE EXCLUSION OR LIMITATION OF INCIDENTAL OR CONSEQUENTIAL DAMAGES, SO THE ABOVE LIMITATIONS AND EXCLUSIONS MAY NOT APPLY TO YOU. THIS LIMITED WARRANTY GIVES YOU SPECIFIC LEGAL RIGHTS, AND YOU MAY ALSO HAVE OTHER RIGHTS THAT VARY FROM STATE TO STATE.

For the most up-to-date installation instructions, see [www.Duravent.com](http://www.Duravent.com)  
REV 04.17.17

Duravent, Inc. PO Box 1510 Vacaville, CA 95696-1510  
Manufactured in Vacaville, CA.

Notes:

Lined area for notes, consisting of multiple horizontal lines.



BUILD FOR THE FUTURE

Customer Service and Support:

|                                     |              |
|-------------------------------------|--------------|
| Airmate (USA).....                  | 800.992.8368 |
| Airmate (CAN) .....                 | 888.735.5475 |
| Ameriflow .....                     | 800.252.8467 |
| Amerivent (Retail).....             | 800.252.8467 |
| Amerivent (Hearth & Wholesale) .... | 800.423.4270 |
| Amerivent (Support).....            | 800.748.0392 |
| AMPCO (USA) .....                   | 800.669.3269 |
| AMPCO (CAN).....                    | 888.735.5475 |
| Duravent .....                      | 800.835.4429 |
| Hart & Cooley.....                  | 800.433.6341 |
| Hart & Cooley (Support) .....       | 800.748.0392 |
| Heatfab (USA).....                  | 800.772.0739 |
| Heatfab (CAN) .....                 | 800.848.2149 |
| Lima.....                           | 800.423.4270 |
| Milcor .....                        | 800.774.5240 |
| Portals Plus.....                   | 800.774.5240 |
| RPS.....                            | 800.624.8642 |
| Security Chimney (USA).....         | 800.361.4909 |
| Security Chimney (CAN) .....        | 800.667.3387 |
| Selkirk (USA) Residential .....     | 800.992.8368 |
| Selkirk (USA) Commercial.....       | 800.848.2149 |
| Selkirk (USA) Support.....          | 800.748.0392 |
| Selkirk (CAN) .....                 | 888.735.5475 |

Manufacturing & Distribution Centers:

|                  |                              |
|------------------|------------------------------|
| CANADA           |                              |
| Nobel, ON        | Manufacturing                |
| Laval, QC        | Manufacturing                |
| Prescott, ON     | Distribution                 |
| USA              |                              |
| Grand Rapids, MI | Center of Excellence         |
| Dallas, TX       | Distribution                 |
| Englewood, OH    | Distribution                 |
| Huntsville, AL   | Manufacturing & Distribution |
| Mira Loma, CA    | Distribution                 |
| Nampa, ID        | Manufacturing & Distribution |
| Turner Falls, MA | Manufacturing & Distribution |
| Vacaville, CA    | Manufacturing                |
| MEXICO           |                              |
| Ojinaga, MX      | Manufacturing                |
| Mexicali, MX     | Manufacturing                |

Corporate Headquarters:

Duravent Group  
 28 W. Adams, Suite 1810  
 Detroit, MI 48226  
 Tel: 800.835.4429  
 Email: [info@duraventgroup.com](mailto:info@duraventgroup.com)  
[www.duraventgroup.com](http://www.duraventgroup.com)

**duravent**<sup>™</sup>

**duravent**<sup>™</sup>  
GROUP

BUILD FOR THE FUTURE

[www.duraventgroup.com](http://www.duraventgroup.com)

