

****NOTES:**

-DUCT IS DESIGNED FOR APPLICATIONS WHERE 2 HOUR FIRE RATING IS REQUIRED AND OR A MINIMUM OF 0" CLEARANCE TO COMBUSTIBLE SURFACES. THE INSTALLER / OWNER IS RESPONSIBLE FOR SITE VERIFICATION OF CLEARANCE AND CODE.

-ALL SECTION JOINTS SHALL INCORPORATE A SELF-CENTERING FEATURE TO ENSURE PROPER ALIGNMENT OF MATING FLANGES.

-LISTED GREAST DUCT SHALL HAVE A LIMITED LIFETIME WARRANTY TO BEGIN AT THE DATE OF INSTALLATION.

-PRIOR TO USE OR CONCEALMENT OF ANY PORTION OF THE GREASE DUCT SYSTEM, A LEAKAGE TEST SHALL BE PERFORMED. DUCTS SHALL BE CONSIDERED TO BE CONCEALED WHERE INSTALLED IN SHAFTS OR COVERED COATING OR WRAPS THAT PREVENT THE DUCTWORK FROM BEING INSPECTED ON ALL SIDES. THE PERMIT HOLDER SHALL BE RESPONSIBLE TO PROVIDE THE NECESSARY EQUIPMENT AND PERFORM THE GREASE DUCT LEAKAGE TEST. THE GREASE DUCT SHALL BE TESTED BY EITHER OF THE TWO METHODS.

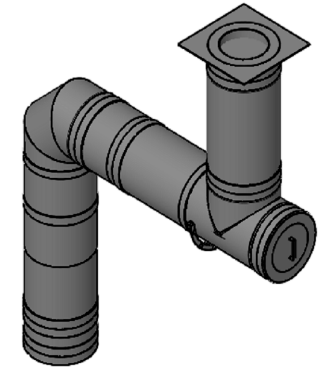
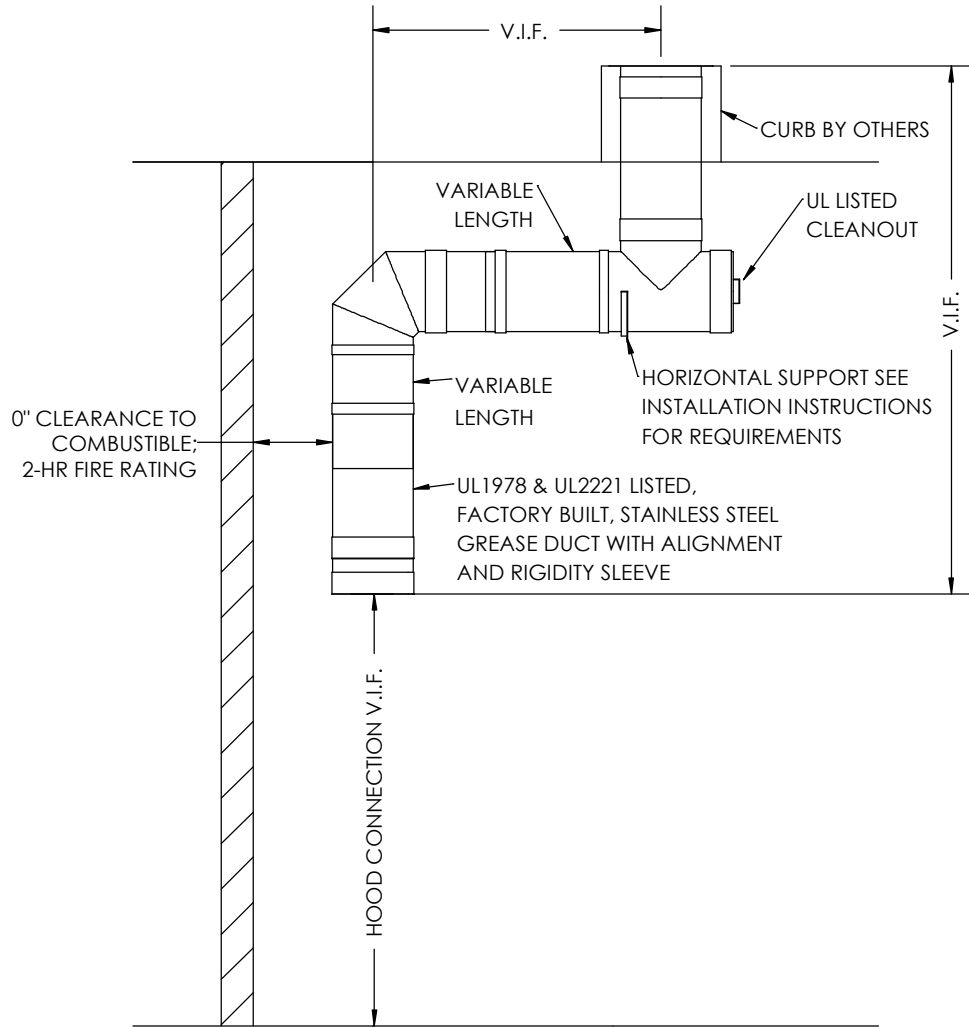
- I. WATER TESTING - AS DESCRIBED IN ASHREA 154, 2016 EDITION SECTION 5.21.2
- II. PRESSURE TEST - TESTED BY DRAWING A VACUUM ON OR PRESSURING THE INSTALLATION, IN PLACE, GREASE DUCT TO A MINIMUM OF 4" W.C. (995Pa or 0.144 psi). THE TEST SHALL BE WITNESSED BY AN AUTHORIZED INSPECTOR. THE GREASE DUCT WILL PASS INSPECTION IF THE PRESSURE OR VACUUM APPLIED HOLDS FOR 15 MINUTES WITH ZERO LEAKAGE. THE MEASUREMENT RANGE OF THE TEST GAUGE OR MANOMETER USED SHALL BE FROM 0 TO NO MORE THAN 10" W.C.

-HORIZONTAL CLEANOUT:

- NFPA 96: EVERY 12' AND AFTER DIRECTIONAL CHANGES.
- IMC: EVERY 20' AND WITHIN 10' OF A DIRECTIONAL CHANGE.

-ALL CODE REQUIRED DOORS AND TEE CAPS ARE TO BE ACCESSIBLE WITHOUT THE USE OF ANY TOOLS OR INSTRUMENTS AND EASILY ACCESSIBLE.

-PRODUCT SHALL BE UL LISTED.



DuraVent®

Contact Info: (Phone or Email)	
Job Name:	
Company Name:	
Contact Name:	Date:
Quote #:	Revision #:

For additional Design, Install, & Owner Benefits info visit www.duraventgreaseduct.com
 For Design & Install videos go to: **YOUTUBE:** DuraVent Grease Duct