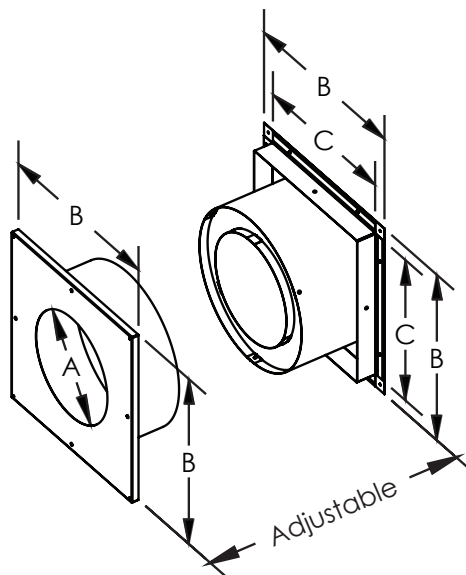
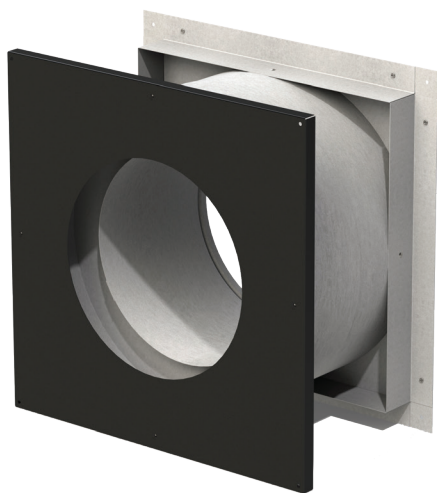


Welcome to the Family!

DuraVent would like to welcome the new Insulated Wall Thimble to the DuraTech product family!

The Insulated Wall Thimble adjusts from a minimum of 5½" to a maximum of 9½" wall thickness, fits between standard wall studs and the interior trim is painted black. To accommodate thicker walls, the telescoping pieces can be extended up to 16" when a field-fabricated extension is installed. The Wall Thimble must be installed with DuraTech chimney pipe horizontally through the walls and extend 6" into the room beyond the interior walls. Black DuraTech and 6" and 8" stainless steel exterior trim are available.

Size	5"	6"	7"	8"
A	7 1/4"	8 1/4"	9 1/4"	10 1/4"
B	13"	14"	15"	16"
C	11"	12"	13"	14"
Order #	5DT-IWT	6DT-IWT	7DT-IWT	8DT-IWT
Stock #	810014831	810014830	810014832	810014833
SS Trim	5"	6"	7"	8"
Order #	-	6DT-WTSS	-	8DT-WTSS
Stock #	-	810000110	-	810000251



For current pricing and availability, please call customer service at (800) 835-4429.

Information published in all DuraVent bulletins is current at time of publication and is subject to change without notice.